

# **VICTOR®**

## ***Cutting, Heating and Welding Guide***

**Set-Up and Safe Operating Procedures  
OXY-FUEL EQUIPMENT**

**English  
Français  
Español**

Revision: C

Issue Date: September, 1 2009

Manual No: 0056-3260



**OXY-FUEL  
EQUIPMENT**

***VICTOR***®

# **Cutting, Heating and Welding Guide**

**English  
Français  
Español**

**SET-UP AND SAFE  
OPERATING PROCEDURES**



## **WE APPRECIATE YOUR BUSINESS!**

Congratulations on your new Victor® product. We are proud to have you as our customer and will strive to provide you with the best service and reliability in the industry. This product is backed by our extensive warranty and world-wide service network. To locate your nearest distributor or service agency, please contact a representative at the address and phone number in your area listed on the back cover of this guide, or visit us on the web at [www.victorequip.com](http://www.victorequip.com).

This Operating Manual has been designed to instruct you on the correct use and operation of your Victor® product. Your satisfaction with this product and its safe operation is our ultimate concern. Therefore, please take the time to read the entire manual, especially the Safety Precautions. They will help you to avoid potential hazards that may exist when working with this product.

## **YOU ARE IN GOOD COMPANY!**

The Brand of Choice for Contractors and Fabricators Worldwide.

Victor® is a Global Brand of Gas Equipment Products for Thermadyne Industries Inc. We manufacture and supply to major welding industry sectors worldwide including; Manufacturing, Construction, Mining, Automotive, Aerospace, Engineering, Rural and DIY/Hobbyist.

We distinguish ourselves from our competition through market-leading, dependable products that have stood the test of time. We pride ourselves on technical innovation, competitive prices, excellent delivery, superior customer service and technical support, together with excellence in sales and marketing expertise.

Above all, we are committed to develop technologically advanced products to achieve a safer working environment within the welding industry.



---

*Read and understand this entire Manual and your employer's safety practices before installing, operating, or servicing the equipment. While the information contained in this Manual represents the Manufacturer's judgment, the Manufacturer assumes no liability for its use.*

---

Cutting, Heating and Welding Guide  
Set-up and Safe Operating Procedures  
Instruction Guide Number 0056-3260

Published by:

Thermadyne® Industries, Inc.

2800 Airport Rd.

Denton, TX. 76208

(940) 566-2000

[www.victorequip.com](http://www.victorequip.com)

U.S. Customer Care: (800) 426-1888

International Customer Care: (940) 381-1212

Copyright © 2009 Thermadyne Industries, Inc. All rights reserved.

Reproduction of this work, in whole or in part, without written permission of the publisher is prohibited.

The publisher does not assume and hereby disclaims any liability to any party for any loss or damage caused by any error or omission in this Manual, whether such error results from negligence, accident, or any other cause.

Publication Date: September 1, 2009

Record the following information for Warranty purposes:

Where Purchased: \_\_\_\_\_

Purchase Date: \_\_\_\_\_

Equipment Serial #: \_\_\_\_\_

# Table of Contents

<b>SECTION 1: INTRODUCTION.....</b>	<b>1-1</b>
1.01 How to Use this Manual .....	1-1
<b>SECTION 2: SAFETY PRECAUTIONS .....</b>	<b>2-2</b>
2.01 Housekeeping.....	2-2
2.02 Protective Apparel .....	2-3
2.03 Fire Prevention .....	2-3
2.04 Cylinders .....	2-4
<b>SECTION 3: INDUSTRIAL GASES .....</b>	<b>3-6</b>
3.01 Oxygen .....	3-6
3.02 Acetylene.....	3-7
3.03 Natural Gas and Propane.....	3-8
3.04 Propylene and Propylene-Based Fuel Gases.....	3-10
3.05 Fuel Gases with Natural Gas or Propane Base Plus Liquid Hydrocarbon Additives .....	3-11
<b>SECTION 4: OXY-FUEL APPARATUS.....</b>	<b>4-12</b>
4.01 Oxygen and Fuel Supply .....	4-12
4.02 Regulators.....	4-12
4.03 Torch Handle .....	4-15
4.04 Cutting Attachment.....	4-17
<b>SECTION 5: SETTING UP EQUIPMENT FOR WELDING.....</b>	<b>5-21</b>
5.01 Cylinders .....	5-21
5.02 Regulators.....	5-22
5.03 Gas Hoses .....	5-24
5.04 Torch Handle .....	5-24
5.05 Welding Nozzle .....	5-25
5.06 Setting Up To Weld, Lighting the Torch, and Adjusting the Flame .....	5-26
<b>SECTION 6: WELDING PROCEDURES.....</b>	<b>6-29</b>
6.01 Preparing the Metals to be Welded .....	6-29
6.02 Preventing The Metals from Warping .....	6-29
6.03 Forehand and Backhand Welding Techniques.....	6-30
6.04 Starting and Finishing the Weld.....	6-30
6.05 Oxy-Fuel Brazing and Braze Welding .....	6-32
<b>SECTION 7: SETTING UP THE EQUIPMENT FOR CUTTING.....</b>	<b>7-34</b>
7.01 Setting up for Cutting Applications.....	7-34
<b>SECTION 8: TROUBLESHOOTING .....</b>	<b>8-41</b>
<b>SECTION 9: SPECIFICATIONS .....</b>	<b>9-42</b>
<b>SECTION 10: GLOSSARY.....</b>	<b>10-48</b>
<b>SECTION 11: STATEMENT OF WARRANTY.....</b>	<b>11-54</b>

---

# SET-UP AND SAFE OPERATING PROCEDURES

---

## SECTION 1: INTRODUCTION

---

### 1.01 HOW TO USE THIS MANUAL

This guide contains important information related to the safe and efficient operation of oxy-fuel welding, cutting, and heating apparatus.

There are several potential hazards present when using oxy-fuel equipment. It is, therefore, necessary that proper safety and operating procedures are understood prior to using such apparatus.

**READ THIS BOOKLET THOROUGHLY AND CAREFULLY BEFORE ATTEMPTING TO OPERATE OXY-FUEL WELDING, CUTTING, AND HEATING APPARATUS.** A thorough understanding of the proper safety and operating procedures will help to minimize the potential hazards involved, and add to the efficiency and productivity of your work.

Welding, cutting, and heating operations should conform to applicable Federal, State, County or City regulations for installation, operation, ventilation, fire prevention, and protection of personnel.

Detailed safety and operating instructions can be located within the ANSI Standard Z49.1, "Safety in Welding and Cutting", available from the American Welding Society, P.O. Box 351040, Miami, FL. 33135 or [www.aws.org](http://www.aws.org). Other publications containing safety and operating instructions are available from the following organizations: American Welding Society, (AWS) [www.aws.org](http://www.aws.org), Occupational Safety and Health organization (OSHA) [www.osha.gov](http://www.osha.gov), Compressed Gas Association (CGA) [www.cganet.com](http://www.cganet.com) and National Fire Protection Agency (NFPA) [www.nfpa.org](http://www.nfpa.org).

Do Not attempt to use the apparatus unless you are trained in its proper use, or are under competent supervision. Remember, the safest equipment, if incorrectly operated, may result in a mishap.

A system of notes, cautions and warnings emphasize important safety and operating information in this booklet. These are as follows:

#### **NOTE**

---

*NOTE conveys installation, operation, or maintenance information which is important but not hazard-related.*



#### **CAUTION**

---

*CAUTION indicates a potentially hazardous situation which, if not avoided, may result in injury.*



#### **WARNING**

---

*WARNING indicates a potentially hazardous situation which, if not avoided, could result in death or serious injury.*

---

## SECTION 2: SAFETY PRECAUTIONS

---

Be sure to read and understand all safety and operating instructions provided before using this apparatus. **RETAIN THESE INSTRUCTIONS IN A READILY AVAILABLE LOCATION FOR FUTURE REFERENCE.**

The following preliminary safety checklist is the basis for further specific safety information noted throughout this booklet.



---

*This product contains chemicals, including lead, or otherwise produces chemicals known to the State of California to cause cancer, birth defects and other reproductive harm. **Wash hands after handling.** (California Health & Safety Code § 25249.5 et seq.)*

---



---

*DO NOT attempt to use this apparatus unless you are trained in its proper use or are under competent supervision. For your safety, practice the safety and operating procedures described in this guide every time you use the apparatus. Deviating from these procedures may result in fire, explosion, property damage and/or operator injury.*

*If, at any time, the apparatus you are using does not perform in the usual manner, or you have difficulty in the use of the apparatus, shut the system off and STOP using it immediately. DO NOT use the apparatus until the problem has been corrected.*

---



---

*Service or repair of apparatus should be performed by a qualified repair technician only. Improper service, repair, or modification of the product could result in damage to the product or injury to the operator.*

---

### **NOTE**

---

*The term “Qualified Repair Technician” refers to repair personnel capable of servicing apparatus in strict accordance with all applicable Victor “Parts & Service Bulletins” and literature.*

---

## **2.01 HOUSEKEEPING**

1. The work area must have a fireproof floor.
2. Work benches or tables used during welding, cutting, and heating operations must have fireproof tops.
3. Use heat resistant shields or other approved material to protect nearby surfaces from sparks and hot metal.
4. Move all combustible material away from the work area.



---

## SET-UP AND SAFE OPERATING PROCEDURES

5. Ventilate welding, cutting, and heating work areas adequately to prevent accumulation of explosive or toxic concentrations of gases. When working with lead, lead bearing materials, steel coated with lead paints, cadmium-coated materials or any objects containing metals that may generate or give off toxic fumes, always ensure that suitable respiratory protection equipment is utilized.
6. When welding, be sure to read and understand the Material Safety Data Sheet (MSDS) for the alloy being used.
7. Place the oxygen and fuel cylinders close to the location to where you are working. Ensure the cylinders are at a safe distance from sparks or hot metal. Individually chain or otherwise secure the cylinders to a wall, bench, post, cylinder cart, etc. to keep the cylinders upright, and secure them from falling over.

### 2.02 PROTECTIVE APPAREL

1. Protect yourself from sparks, flying slag, and flame brilliance at all times. Gas flames produce infrared radiation that may have a harmful effect on the skin and especially on the eyes. Select the appropriate goggles or mask with tempered lenses shaded 5 or darker to protect your eyes from injury and provide good visibility of the work.
2. Always wear appropriate protective gloves and flame resistant clothing to protect skin and clothing from sparks and slag. Keep collars, sleeves, and pockets buttoned. DO NOT roll up sleeves or cuff pants.
3. Remove all flammable and readily combustible materials from your pockets, such as matches and cigarette lighters.
4. Keep all clothing and protective apparel completely free of oil or grease.
5. Do not wear clothing that is easily ignited, such as polyester pants or shirts.

### 2.03 FIRE PREVENTION

Welding, cutting, and heating operations use fire or combustion as a basic tool. The process is very useful when properly controlled. However, it can be extremely destructive if not performed correctly in the proper environment.

Practice fire prevention techniques whenever oxy-fuel operations are in progress. A few simple precautions can prevent most fires and help minimize damage in the event a fire does occur.

1. Keep ALL apparatus clean and free of grease, oil, and other flammable substances. Inspect oxy-fuel apparatus for oil, grease, or damaged parts. DO NOT use the oxy-fuel apparatus if oil or grease are present, or if damage is evident.
2. Never use oil, grease, or lubricant on or around any oxy-fuel apparatus. Even a trace of oil or grease can ignite and burn violently in the presence of oxygen.
3. Keep flames, heat, and sparks away from cylinders, regulators, and hoses.
4. Flying sparks can travel up to a distance of 35 feet (10 m) or more. Remove all combustible materials away from areas where oxy-fuel operations are being performed.

## **CUTTING, HEATING AND WELDING GUIDE**

---

5. Operators may not become aware of a fire starting while operating apparatus. Their vision is seriously hampered by the welding goggles and dark lenses. Depending upon the circumstances of the work location, it may be advisable to have a fire watcher to operate an extinguisher and sound a fire alarm in case of a fire.
6. Keep an approved fire extinguisher of the proper size and type in the work area. Inspect it regularly to ensure that it is in proper working order. Know how to use the fire extinguisher.
7. Use heat resistant shields or other approved material to protect nearby surfaces, ceilings and equipment from sparks and hot metal.
8. Only use oxy-fuel equipment with the fuel gas it was designed for.
9. After the equipment has been properly set up, open the acetylene cylinder valve approximately  $\frac{3}{4}$  of a turn, but NO MORE than 1-1/2 turns. Keep the cylinder wrench, if one is required, on the cylinder valve so the cylinder may be turned off quickly if it becomes necessary.
10. All gases except acetylene: Open the fuel gas cylinder valve completely to seal the cylinder back seal packing.
11. Never test for gas leaks with a flame. Use an approved leak-detector solution.
12. Never perform welding, cutting, and heating operations on a container that has held toxic or combustible liquids or vapors.
13. Never perform welding, cutting, and heating operations in an area containing combustible vapors, flammable liquids, or explosive dust.
14. Never perform welding, cutting, and heating operations on a closed container or vessel, which may explode when heated.
15. Avoid operating the equipment in rooms with sprinkler systems unless there is sufficient ventilation to keep the area cool.
16. When the work is complete, inspect the area for possible fires or smoldering materials.

### **2.04 CYLINDERS**

All Government and insurance regulations relating to the storage of oxygen, acetylene and LPG cylinders should be closely observed.

Industrial gas cylinders are made to rigid specifications and are inspected each time they are refilled by your supplier. They are safe if properly handled.

For additional information on the safe handling of gas cylinders, contact your gas supplier or refer to the Compressed Gas Association publication P-1, "Safe Handling of Compressed Gases in Containers".

- Keep all cylinders, empty or full, away from radiators, furnaces and other sources of heat.
- Avoid contact with electrical circuits.
- Keep oil and grease away from cylinders.
- Cylinders should be screened against direct rays from the sun.
- Protect cylinder valves from bumps and falling objects.

## SET-UP AND SAFE OPERATING PROCEDURES

---

- Inspect the cylinder valves for damaged parts. Keep the valves clean, free from oil, grease, and all foreign materials.
- Close cylinder valves when not in use, when empty, or when moving cylinders.
- Always be sure the cylinder valve is tightly closed before removing the regulators.
- Always replace the cylinder valve cap, if applicable, when the cylinder is not in use.
- Never allow anyone to strike an arc or tap an electrode against any cylinder.
- Never try to fill a cylinder or mix gases in a cylinder. Never draw gas from cylinders except through properly attached pressure regulators or equipment designed for the purpose. If damaged, send the regulator to the supplier or qualified repair technician for repairs. Do not tamper with or alter cylinder numbers or markings.
- Never use cylinders as supports or rollers.
- When transporting cylinders with a crane, use an approved cylinder cradle only. Never use a “magnet” crane to move cylinders
- Never lift the cylinder by its protective cap.
- If you are unable to make a gas-tight seal between the cylinder valve and a regulator nipple, check to see if the connection nut is tight. If so, check the regulator inlet connection for damage. If the cylinder valve is damaged, remove the cylinder from service and notify the gas supplier.
- Never insert washers of lead or other material between the regulator and cylinder valve. Never use oil or grease on the connections.
- Never use compressed gas cylinders without a pressure reducing regulator attached to the cylinder valve.
- Never drag cylinders or roll them on the bottom edge, use a suitable cylinder cart.
- Never transport gas cylinders inside a passenger vehicle. Only transport gas cylinders in a suitable ventilated service vehicle. See CGA PS-7, “CGA Position statement on the Safe Transportation of Cylinders in Passenger Vehicles”.
- Use only standard cylinder keys to open cylinder valves, never extend the length of these keys under any circumstances. If valves cannot be opened by hand, do not use a hammer or a wrench; notify the supplier.
- Leave the cylinder key in position when fuel gas cylinder valves are open.
- Some cylinder valves, most notably acetylene cylinder valves, may require adjustment of the valve packing. Consult your gas supplier for the proper method of adjusting the packing. DO NOT use the cylinder if the packing is leaking.



---

*Cylinders are highly pressurized. Handle with care. Serious accidents can result from improper handling or misuse of compressed gas cylinders. DO NOT drop the cylinder, knock it over, expose it to excessive heat, flames or sparks. DO NOT strike a cylinder in any manner.*

---

## SECTION 3: INDUSTRIAL GASES



### CAUTION

*Fuel Gases may be toxic. Contact your gas supplier for the appropriate Material Safety Data Sheet (MSDS) for each gas you use. The Hazardous Materials Regulations of the Department of Transportation (DOT) regulates the transportation of industrial gases and the cylinders used to transport them. Disposal of fuel gases may also be controlled. Contact your local or state Department of Labor for further information.*

### 3.01 OXYGEN

Gaseous chemical element, symbol: “O”; it is of great interest because it is the essential element in the respiratory processes of most living cells and in combustion processes. It is the most abundant element in the Earth’s crust. Nearly one fifth (in volume) of the air is oxygen. Oxygen can be separated from air by fractionated liquefaction and distillation. One of the main applications for oxygen is melting, and the refining and manufacturing of steel and other metals. Oxygen is required to support any burning process. It is, therefore, combined with a “fuel” gas to produce the desired operating flame. Oxygen itself is not flammable. However, the presence of pure oxygen will dramatically accelerate the burning process. Oxygen can easily turn a small spark into a roaring flame or explosion.



### WARNING

*Never allow oxygen to contact grease, oil, or other flammable substances. Although oxygen by itself will not burn, these substances become highly explosive and may ignite and burn rapidly when supported by pure oxygen. Oil or grease combined with oxygen may ignite or even explode without the presence of excessive heat or flame.*

Oxygen is ordinarily supplied in standard drawn steel cylinders. The 244 ft<sup>3</sup> (7 m<sup>3</sup>) cylinder is the most commonly used. Smaller and larger sizes are available. Full oxygen cylinders are normally pressurized in excess of 2000 psi (900 Kg/cm<sup>2</sup>). Determine oxygen cylinder contents by reading the inlet pressure gauge on the regulator when in use. For example, half the full cylinder pressure rating indicates half the volume (ft<sup>3</sup> / m<sup>3</sup>) of oxygen remaining. The maximum fill pressure should always be stamped on the cylinder.

Due to the high pressure under which oxygen is contained, cylinders must always be handled with great care. **THE POTENTIALLY VIOLENT REACTION OF OIL, GREASE, OR ALL OTHER CONTAMINANTS IN THE PRESENCE OF OXYGEN CANNOT BE OVERSTRESSED. SERIOUS INJURY OR DEATH MAY EASILY RESULT IF OXYGEN IS USED AS A SUBSTITUTE FOR COMPRESSED AIR.** Oxygen should never be referred to as “air”.



### WARNING

*Never use oxygen: in pneumatic tools; in oil pre-heating burners; to start internal combustion engines, to blow out pipelines; to dust off clothing or work area; to create pressure; for ventilation. In short, under no circumstances use oxygen as a substitute for compressed air or other gases. Use oxygen only for appropriate oxy-fuel cutting, heating and welding applications.*

## OXYGEN VALVE OUTLET AND REGULATOR INLET CONNECTIONS:

CGA 540 up to 3000 PSIG (3700 - 20700 kPa); CGA 577 up to 4000 PSIG (4000 - 28000 kPa); CGA 701 up to 5500 PSIG (4800 - 38000 kPa)

## 3.02 ACETYLENE

Acetylene is a compound of carbon and hydrogen ( $C_2H_2$ ). It is a versatile industrial fuel gas used in cutting, heating, welding, brazing, soldering, flame hardening, metallizing, and stress relieving applications. It is produced when calcium carbide is submerged in water or from petrochemical processes. The acetylene gas produced is then compressed into cylinders or fed into piping systems. Acetylene becomes unstable when compressed in its gaseous state above 15 PSIG (103 kPa). Therefore, it cannot be stored in a “hollow” cylinder under high pressure the way oxygen, for example, is stored. Acetylene cylinders are filled with a porous material (calcium-silicate) creating, in effect, a “solid” as opposed to a “hollow” cylinder. The porous filling is then saturated with liquid acetone. When acetylene is pumped into the cylinder, it is absorbed by the liquid acetone throughout the porous filling. It is held in a stable condition (see Figure 2). Filling acetylene cylinders is a delicate process requiring special equipment and training. Acetylene cylinders must, therefore, be refilled only by authorized gas distributors. Acetylene cylinders **MUST NEVER** be transfilled.

### **POROUS FILLER:** (calcium-silicate) 8% - 10%

The filler, which completely occupies the steel shell, is 90% - 92% composed of millions of interconnected pores.

### **ACETONE:** 42%

Acetone is equal to 42% of the internal volume, and is dispersed throughout the filler.

### **ACETYLENE GAS:** 36%

The acetylene gas is uniformly absorbed by the acetone. The resulting mixture occupies 78% of the internal volume.

### **RESERVE VOLUME AT 70° F:** 10% - 12%

Since acetone and acetylene gas will expand as temperature rises, a safety reserve must be present even at 150° F.

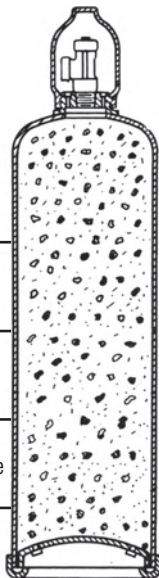


Figure 2: Acetylene Cylinder Interior

## Acetylene Cylinders

All acetylene cylinders are fitted with fusible plugs. These are designed to vent the cylinder contents in the event of an unsafe condition arising in the cylinder that could be due to any number of reasons, such as overheating from either incorrect operating techniques, faulty equipment, or in conjunction with excessive temperature. In the event of a cylinder safety device malfunctioning, remove the cylinder from service, place the cylinder in a well ventilated area, preferably outdoors, and notify the supplier immediately.

# CUTTING, HEATING AND WELDING GUIDE

## Commonly Available Acetylene Cylinder Capacities

Cubic Feet / ft <sup>3</sup> (Cubic Meters / m <sup>3</sup> )		
10 (0.3)	130 (3.7)	330 (9.3)
40 (1.1)	190 (5.4)	360 (10.2)
60 (1.7)	225 (6.4)	390 (11.0)
75 (2.1)	290 (8.2)	850 (24.1)
100 (2.8)	300 (8.5)	

Acetylene cylinders used in the U.S.A. must conform to DOT 8 and 8 AL specifications.

## Specifications

### SAFETY

Shock sensitivity	Unstable over 15 PSIG (103 kPa) outside of cylinder
Explosive limits in oxygen (%)	3.0-93
Explosive limits in air (%)	2.5-80
Maximum allowable use pressure	15 PSIG (103 kPa)
Tendency to backfire	Considerable
Toxicity	Low
Maximum Withdrawal Rate	1/7 of cylinder contents per hour

### COMBUSTION PROPERTIES

Neutral flame temperature in °F (°C)	5720 (3160)
Burning velocity in oxygen in ft./sec. (m/sec)	22.7 (6.9)
Primary flame in BTU/ft <sup>3</sup> (MJ/m <sup>3</sup> )	507 (18.9)
Secondary flame in BTU/ft <sup>3</sup> (MJ/m <sup>3</sup> )	963 (35.9)
Total heat in BTU/ft <sup>3</sup> (MJ/m <sup>3</sup> )	1470 (54.8)
Total heating value in BTU/lb. (kJ/kg)	21600 (50140)
Auto ignition temperature in °F (°C)	763 - 824 (406 - 440)

### VALVE OUTLET AND REGULATOR INLET CONNECTIONS

- Standard connection CGA 510
- Alternate standard connection CGA 300
- Small valve series (10 ft<sup>3</sup> (0.3 m<sup>3</sup>) cylinder) CGA 200
- Small valve series (40 ft<sup>3</sup> (1.1 m<sup>3</sup>) cylinder) CGA 520

\*All values are approximations\*

If more detailed specifications are required, contact your fuel gas supplier for the specific properties of the fuel gas.

## 3.03 NATURAL GAS AND PROPANE

Natural gas is available throughout most areas of the U.S.A. and Canada. Physical properties vary according to the geographical location. Methane is a colorless, odorless gas and is the principal component of natural gas, a mixture containing about 75% methane (CH<sub>4</sub>), 15% ethane (C<sub>2</sub>H<sub>6</sub>), and 5% other hydrocarbons, such as propane (C<sub>3</sub>H<sub>8</sub>) and butane (C<sub>4</sub>H<sub>10</sub>).

Propane (C<sub>3</sub>H<sub>8</sub>) is a non-renewable fossil fuel, like the natural gas and oil it is produced from. It is known in popular terms as LPG (Liquefied Petroleum Gas). Similar to natural gas (methane),

## SET-UP AND SAFE OPERATING PROCEDURES

propane is colorless and odorless. Although propane is nontoxic and odorless, foul-smelling mercaptan is added to it to make gas leaks easy to detect.

Liquid Petroleum (LP) gases were discovered in 1912 when an American scientist, Dr. Walter Snelling, discovered that these gases could be changed into liquids and stored under moderate pressure. The LP-gas industry got its start shortly before World War I when a problem in the natural gas distribution process popped up. A section of the pipeline in one natural gas field ran under a cold stream, and the coldness led to a lot of liquids building up in the pipeline, sometimes to the point of blocking the entire pipeline. Soon, engineers figured out a solution: facilities were built to cool and compress natural gas, and to separate the gases that could be turned into liquids (including propane and butane).

Both natural gas and propane are used as industrial fuel gases for flame cutting, scarfing, heating, flame hardening, stress relieving, brazing, and soldering.

### NATURAL GAS AND PROPANE CYLINDERS

Natural gas is transported by pipeline to most installations that use natural gas as a fuel gas. Natural gas / Methane is authorized for shipment in a non-liquefied compressed gas cylinder under DOT regulations.

Propane is available in on-site bulk storage tanks. It is also obtainable in 5-420 lb. (2-190 Kg) cylinders.

### Specifications

SAFETY	Natural Gas	Propane
Shock sensitivity	Stable	Stable
Explosive limits in oxygen (%)	5.0-59	2.4-57
Explosive limits in air (%)	5.0-15	2.1-9.5
Maximum allowable use pressure	Varies	Cylinder 120 PSIG @ 70°F (800 kPa @ 21°C)
Tendency to backfire	Slight	Slight
Toxicity	Low	Low

COMBUSTION PROPERTIES	Natural Gas	Propane
Neutral flame temperature in °F (°C)	4600 (2538)	4579 (2526)
Burning velocity in oxygen in ft./sec. (m/sec)	15.2 (4.6)	12.2 (3.7)
Primary flame in BTU/ft <sup>3</sup> (MJ/m <sup>3</sup> )	55 (2.0)	295 (11.0)
Secondary flame in BTU/ft <sup>3</sup> (MJ/m <sup>3</sup> )	995 (37.1)	2268 (84.5)
Total heat in BTU/ft <sup>3</sup> (MJ/m <sup>3</sup> )	1050 (39.1)	2563 (95.5)
Total heating value in BTU/lb. (kJ/kg)	24800 (57660)	21600 (50140)
Auto ignition temperature in °F (°C)	999 (537)	874 (468)

### VALVE OUTLET AND REGULATOR INLET CONNECTION

Natural Gas	By Pipeline
Methane	CGA 350
Methane (5500 PSIG (38000 kPa) Max.)	CGA 695
Propane	CGA 510

\*All values are approximations\*

If more detailed specifications are required, contact your fuel gas supplier for the specific properties of the fuel gas.

# CUTTING, HEATING AND WELDING GUIDE

## 3.04 PROPYLENE AND PROPYLENE-BASED FUEL GASES

Propylene, also known by its IUPAC name propene, is an organic compound having the chemical formula  $C_3H_6$ . It is the second simplest member of the alkene class of hydrocarbons, ethylene (ethene) being the simplest. At room temperature and pressure, propylene is a gas. It is colorless, highly flammable, and has an odor similar to garlic.

Propylene is found in coal gas and can be synthesized by cracking petroleum.

In newer designs, cracking takes place using a very active zeolite-based catalyst in a short-contact time vertical or upward sloped pipe called the "riser". Pre-heated feed is sprayed into the base of the riser via feed nozzles where it contacts extremely hot fluidized catalyst at 1230 to 1400°F (665 to 760°C). The hot catalyst vaporizes the feed and catalyzes the cracking reactions that break down the high molecular weight oil into lighter components, including LPG, gasoline, and diesel. The catalyst-hydrocarbon mixture flows upward through the riser for just a few seconds and then the mixture is separated via cyclones. The catalyst-free hydrocarbons are routed to a main fractionator for separation into fuel gas, LPG, gasoline, light cycle oils used in diesel and jet fuel, and heavy fuel oil.

These gases are industrial fuel gases used for flame cutting, scarfing, heating, flame hardening, stress relieving, brazing and soldering. They may also be used in certain applications for welding cast iron and aluminum.

### Propylene and Propylene-Based Fuel Gas Cylinders

Available in on-site bulk storage tanks. Also available in portable 30 lb. (13.6 Kg) cylinders, and larger 60-70 lb. (27.2-31.8 Kg) and 100-110 lb. (45.4 - 49.9 Kg) cylinders.

### Specifications

#### SAFETY

Shock sensitivity	Stable
Explosive limits in oxygen (%)	2.0-57
Explosive limits in air (%)	2.0-10
Maximum allowable use pressure	Cylinder 135 PSIG @ 70°F (930 kPa @ 21°C)
Tendency to backfire	Moderate
Toxicity	Low

#### COMBUSTION PROPERTIES

Neutral flame temperature in °F (°C)	5240 (2893)
Burning velocity in oxygen in ft./sec. (m/sec)	15.0 (4.6)
Primary flame in BTU/ft <sup>3</sup> (MJ/m <sup>3</sup> )	403 (15.0)
Secondary flame in BTU/ft <sup>3</sup> (MJ/m <sup>3</sup> )	1969 (73.4)
Total heat in BTU/ft <sup>3</sup> (MJ/m <sup>3</sup> )	2372 (88.4)
Total heating value in BTU/lb. (kJ/kg)	20000 (46400)
Auto ignition temperature in °F (°C)	896 (480)

### VALVE OUTLET AND REGULATOR INLET CONNECTION

- CGA 510 - 0.885 in (22.5 mm) - 14 NGO-LH-INT (POL Outlet)

\*All values are approximations\*

If more detailed specifications are required, contact your fuel gas supplier for the specific properties of the fuel gas.



### **3.05 FUEL GASES WITH NATURAL GAS OR PROPANE BASE PLUS LIQUID HYDROCARBON ADDITIVES**

These fuel gases consist of a natural gas or propane base which is enriched by a liquid hydrocarbon additive. The liquid hydrocarbon additive is usually a low-boiling point, petroleum ether fraction of n-pentane and / or iso-pentane. N-pentane has a heating value of approximately 4249 BTU/ft<sup>3</sup> (158 MJ/m<sup>3</sup>). Pentane added to natural gas will show a greater percentage increase in heating value, as the BTU heat value of natural gas is approximately 1050 BTU/ft<sup>3</sup> (34.1 MJ/m<sup>3</sup>) This is not meant to imply that all the fuel gases listed above use n-pentane or iso-pentane as the liquid hydrocarbon additive.

The physical and combustion properties of these fuel gases vary according to the percentage of additives added to the base of natural gas or propane. Use the general specifications for natural gas and propane as listed in the preceding pages as a guide only. Contact your fuel gas supplier for the specific properties of the fuel gas if more detailed specifications are required.

## SECTION 4: OXY-FUEL APPARATUS

Typical oxy-fuel workstations normally include the following items, each designed to perform a specific function:

- Oxygen and fuel supply
- Regulators
- Hose
- Torch Handle
- Cutting attachment and tip(s)
- Welding nozzle(s)
- Heating nozzle(s)
- Operator safety equipment

### 4.01 OXYGEN AND FUEL SUPPLY

There are two types of workstations, portable and stationary. The portable station is usually supplied by cylinders mounted on a cart. The stationary units are supplied by piping or manifold systems. The stationary system restricts the operator to the length of hose attached to the torch handle.



#### CAUTION

*Always be aware of the gases in use at the station. Use only the type of apparatus designed for use with those gases.*

### 4.02 REGULATORS

Oxygen and fuel pressure regulators are attached to the cylinders or piping outlets to reduce high cylinder or supply pressures to suitable lower working pressures for oxy-fuel applications. The basic external features of a regulator are as shown in Figure 3. Figure 3 also shows: CGA inlet connection with filter, pressure adjusting screw, inlet gauge, delivery gauge, outlet connection, and relief valve (where provided).

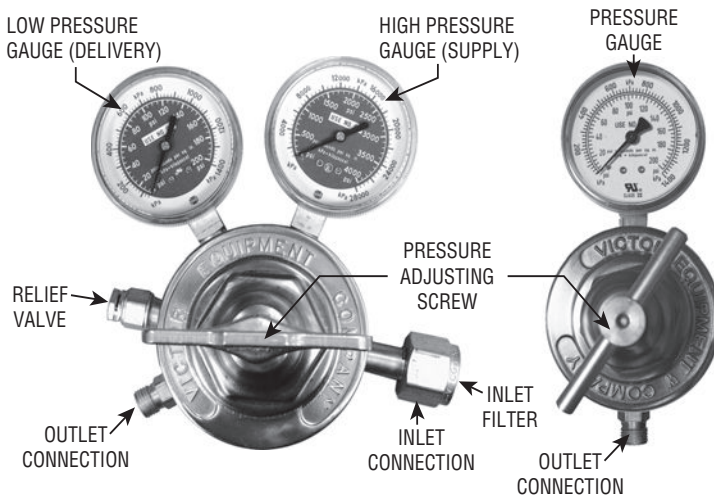


Figure 3a: Regulator Features

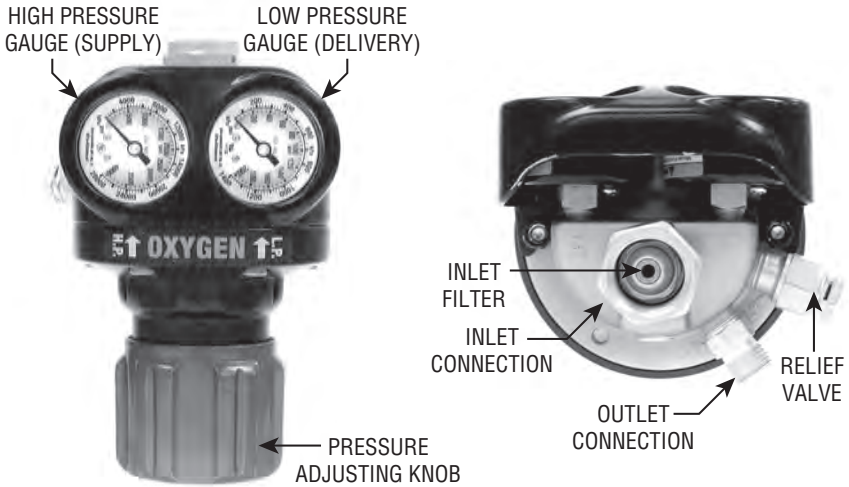


Figure 3b: Edge™ Regulator Features



*Always keep the regulator free of oil, grease and other flammable substances. Never use oil or grease on the regulator, cylinder or manifold connection. Only use the regulator for the gas and pressure for which it was designed. NEVER alter a regulator for use with any other gas.*

## Inlet Connection

Regulators are attached to the cylinders or piping outlets by their “inlet connections.” Inlet connections must have a clean filter. All inlet connections conform to specifications and standards set by the Compressed Gas Association (CGA) and are marked with an identifying CGA number. CGA numbers identify the cylinder valve and gas service for which that inlet connection is designed. Examples: CGA 510 has been designated for standard fuel gas cylinder connections such as acetylene, propylene/propylene-based fuel gases and propane. CGA 540 connections are designated for oxygen service only. Fuel gas inlet connections usually have left-hand threads. Those with left-hand threads also have a “V” notch around the inlet nut to further designate the connection for fuel gas service. All oxygen connections have right-hand threads.

## Pressure Adjusting Screw

The regulator adjusting screw/knob controls the delivery pressure of the gas to the hose. As previously stated, the regulator’s function is to reduce high supply pressures to a suitable working pressure range. When the adjusting screw is turned clockwise, the regulator allows gases to flow through the regulator to the hoses and to the torch. The threaded adjusting screw applies mechanical force to a spring and diaphragm which controls a pressure valve in the regulator. If the adjusting screw is turned fully counterclockwise, tension on the spring is released and the regulator normally does not allow the gas to flow. The regulator adjusting screw is not intended as a “shut off” mechanism.

# CUTTING, HEATING AND WELDING GUIDE

---

## Pressure Gauges

The inlet pressure gauge indicates the cylinder or supply pressure entering the regulator. The delivery pressure gauge indicates the delivery pressure from the regulator to the hose. All gauges are precision instruments; handle with care.

## Outlet Connections

Gas hoses are attached to the regulator outlet connections. Most fuel gas regulators have left-hand threaded outlet connections to mate with the left-hand hose connections and have a “V” notch around the outlet connection to further designate the connection for fuel gas service. Oxygen regulators have right-hand threaded outlet connections to mate with the right-hand hose connections.

## Relief Valve (where provided)

Internal or external relief valves are designed to protect the low pressure side of the high pressure regulator from damage due to an inadvertent high pressure surge.



### **WARNING**

---

*DO NOT tamper with the relief valve or remove it from the regulator. Relief valves are not intended to protect downstream equipment from high pressures.*

---

## Hose

The gas hose transports low pressure gases (maximum 200 PSIG (1400 kPa)) from the regulators to the cutting or welding torch. Proper care and maintenance of the hose assists the operator in maintaining a safe, efficient shop or work area.

## Hose Construction

Industrial gas hose used in the U.S. is generally color-coded for gas service identification. The oxygen hose is normally green and the fuel hose is red. The colors are subject to change in countries other than the U.S. The hose walls are constructed of continuous layers of rubber or neoprene material over a braided inner section. The hose is marked to indicate its grade. All approved domestically fabricated type VD grade “RM” and “T” hoses are flame retardant and have an oil resistant cover. Grade “R” hose does not have an oil resistant cover. Grade “T” and “RM” hose will burn, but will not support a flame if the heat source is removed. Grade “T” hose is recommended for all fuel gases. Grade “R” and “RM” hose is for use with acetylene only.



### **WARNING**

---

*Grade “R” and “RM” hose are for use with acetylene only. These hoses have rubber linings that are degraded by petroleum-based fuel gases. Grade “T” hose is recommended for all fuel gases. It should be used with petroleum-based fuel gases since it has a neoprene inner liner that is compatible with these gases.*

---

## Hose Care

Gas hoses are often exposed to severe abuse. They can provide efficient service with proper care. Hose splices and excessive hose length can restrict and reduce the amount of gas flow within the hose. Molten slag and sparks may come into contact with hoses and burn into the hose exterior. Falling metal during cutting operations might crush or cut into gas hoses. The operator should frequently inspect the hoses and, when necessary, replace them.

## Safety Notes

- Falling metal during cutting operations might crush or cut into gas hoses.
- Never allow hoses to become coated with oil, grease, or dirt. Such coatings could conceal damaged areas.
- Examine the hoses before attaching them to the gas torch handle or regulators. If cuts, burns, cracks, worn areas, or damaged fittings are found, replace the hose.
- Completely replace the gas hose if it contains multiple splices or when cracks or severe wear is noticed.

## TERMS YOU SHOULD KNOW

**BACKFIRE** - The return of the flame into the torch, producing a popping sound. The flame will either extinguish or re-ignite at the tip.

**SUSTAINED BACKFIRE** - The return of the flame into the torch with continued burning within the torch. This condition may be accompanied by a popping sound followed by a continuous hissing or whistling sound.

**FLASHBACK** - The return of the flame through the torch into the hose and even into the regulator. It may also reach the cylinder. This condition could possibly cause an explosion in the system.

## 4.03 TORCH HANDLE

A torch handle is essentially a set of gas tubes with control valves. One tube and valve controls the fuel supply and the other tube and valve controls the oxygen supply. The torch handle is not designed to mix the gases for oxy-fuel processes. The apparatus attached to the handle mixes the oxygen and fuel gases. The handle is a means of control for the gas supply.

Victor® torch handles consists of six basic elements, shown in Figure 4. The control valves with internal reverse flow check valves, the body “Y” with internal flashback arrestors, the barrel and tubes (located inside the barrel) and the torch head.

### NOTE

*Victor® torch handle model numbers that contain the letters “FC” are equipped with built-in flashback arrestors and check valves (i.e. 315FC). Model numbers with a “C” only contain built-in check valves (i.e. 315C). Earlier versions without an “F” or “C” in the model number contain neither (i.e. 315). For all “C” model torch handles and earlier versions, it is recommended that add-on flashback arrestors be installed. Most add-on flashback arrestors also contain built-in check valves.*

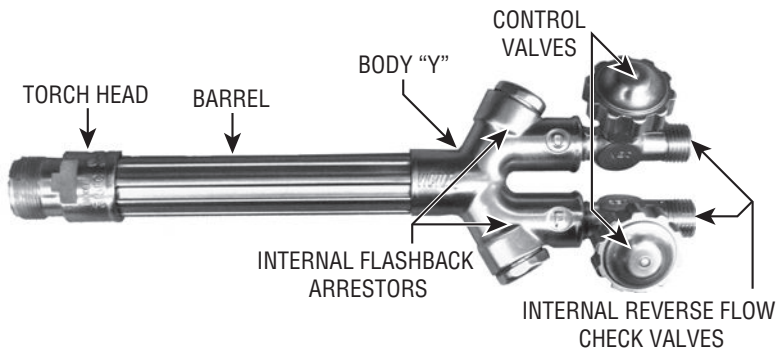


Figure 4: Torch Handle Features

# CUTTING, HEATING AND WELDING GUIDE

---

## Body “Y” with Internal Flashback Arrestors

Most Victor® torch handles are equipped with built-in flashback arrestors. Flashback arrestors are designed to prevent mixed gases from igniting upstream of the flashback arrestors.



### CAUTION

---

*It is not recommended to use accessory flashback arrestors on Victor® FC torch handles since these devices are already built-in. Excessive flow restrictions may occur.*

## General Information on Flashback Arrestors

- The flashback arrestors contained in this torch are designed to prevent a flashback flame from entering the hose and gas supply system. A very fine “filter-like” sintered stainless steel flame barrier stops flashback flame.
- For maximum service life of the flashback arrestor, completely purge all lines and hoses before connecting to the torch. This removes loose material contained in the hose or regulator that could restrict flow through the flashback arrestor.
- Flow restriction and torch over-heating results if dirt or “oily” LPG residuals are allowed to flow into the flashback arrestor and cause clogging. Make sure not to draw liquid. Always store and use cylinders in the upright position.

## Control Valves with Internal Reverse Flow Check Valves

The body “Y” has two control valves attached to it. The valve bodies are marked to distinguish between the two valves. The body of one valve has left-hand threads to accept the fuel gas hose. The other valve body has right-hand threads to accept the oxygen hose. The control valves never require lubricating. Occasionally, the packing nuts may require a slight adjustment.

Most Victor® torch handles are equipped with patented built-in reverse flow check valves to reduce the possibility of mixing gases in the hoses and regulators.



### CAUTION

---

*Check valves are mechanical devices that can leak when dirty or if abused. Check valves should be tested at least every six months, more often if hoses are frequently disconnected. Careless usage, dirt or abuse can shorten the service life of check valves, thus requiring more frequent testing. Follow the manufacture’s instructions for testing the check valves.*

### NOTE

---

*Reverse flow check valves are not the same as flashback arrestors. Check valves are designed to help prevent reverse flow of gas upstream of the torch. Flashback arrestors are designed to prevent mixed gases from igniting upstream of the flashback arrestors.*

## Barrel

The barrel and inner oxygen tube unit is designed to keep the oxygen and fuel gases separated. A tube-within-a-tube design allows the oxygen supply to move through the inner tube to the head while the fuel supply travels through the interior barrel cavity.

## Torch Head

The torch head is threaded onto the barrel, creating a metal to metal seal; there are no O-rings. The oxygen supply from the inner tube is directed through the center hole in the head while the

fuel supply passes through drilled orifices around the centered oxygen port. Tapered surfaces inside the head mate with O-rings when the cutting or welding attachment is connected. This creates a gas-tight seal. Never lubricate these surfaces. If damaged, the external threads and internal surfaces of the head may be reconditioned by a qualified repair technician.

### 4.04 CUTTING ATTACHMENT

The cutting attachment functions as a convenient and economical approach to cutting operations where the frequency and/or application does not require a torch designed strictly for cutting. When connected to a torch handle, the cutting attachment functions as a cutting torch. It provides the operator with a wide range of cutting capabilities.

The cutting attachment consists of seven basic elements as shown in Figure 5. This figure shows: the cone end, coupling nut, preheat oxygen control valve, mixing chamber, cutting oxygen lever and tube, cutting attachment head, and tip nut.

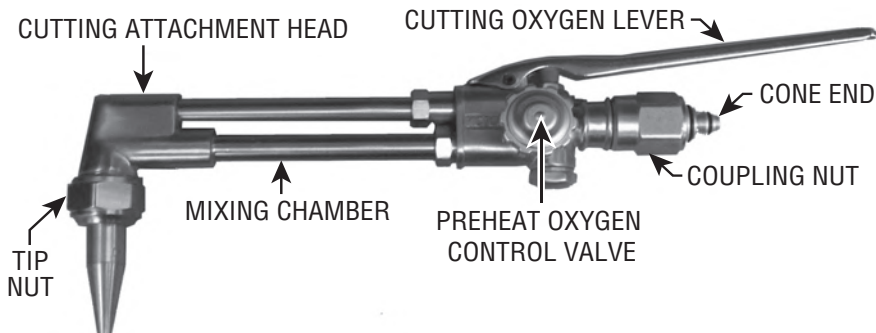


Figure 5: Cutting Attachment Features

#### Cone End and Coupling Nut

The cone end and coupling nut are designed to permit easy attachment to the torch handle. The tapered cone end is machined to mate with the internal taper of the torch handle head. O-rings on the cone end allow continued separation of oxygen and fuel gases. The O-rings also provide a hand-tight seal for the connection.



#### WARNING

*There must always be two O-rings on the cone end. The absence or damage of either of these O-rings will allow premixing and leaks of oxygen and fuel gases. This can lead to a sustained backfire within the torch handle or cutting attachment.*

The center orifice of the cone end, like the center port of the torch handle head, allows the passage of the oxygen supply. The orifices around the oxygen port allow the fuel gas to travel to the mixing chamber in the lower tube of the cutting attachment.

#### Preheat Oxygen Control Valve

When the cutting attachment is connected to the torch handle, the preheat oxygen control valve on the cutting attachment controls the preheat oxygen supply from the regulator. To function in this manner, the oxygen valve on the torch handle must be opened completely. The preheat oxygen supply is then increased or decreased by opening or closing the cutting attachment control valve. The fuel supply is controlled by the fuel valve on the torch handle.

# CUTTING, HEATING AND WELDING GUIDE

---

## Mixing Chamber Tube

Fuel and oxygen are mixed to produce the desired preheating flame. To accomplish the necessary mixing of gases, oxygen and fuel are fed into a mixing chamber located in the forward portion of the cutting attachment mixing chamber tube. Oxygen is directed to the mixer through the inner oxygen tube. The fuel gas is drawn from the exterior cavity of the attachment's lower tube around the mixer. Mixed gases then flow through the preheat orifices of the cutting attachment head and into the preheat orifices of the cutting tip.

## Cutting Oxygen Lever and Tube

The cutting oxygen lever is located above the body of the cutting attachment. When the oxygen control valve on the torch handle is open, depressing the lever allows cutting oxygen to flow through the upper tube of the cutting attachment and the center port of the cutting attachment head. The upper oxygen tube is designed to allow the maximum supply of oxygen to the cutting operation and to provide structural strength by the utilization of high strength tubing.

## Cutting Attachment Head

The cutting attachment head is designed to allow the cutting oxygen and the mixed preheat gas to stay separated during the cutting operation. The exterior of the torch head is threaded and the interior of the head is tapered. The internal taper of the head is stepped allowing the preheat gases to feed the cutting tip through the exterior orifices and the cutting oxygen can travel uninterrupted through the center port of the tip to the heated base metal (see Figure 6). The exterior threads on the head allow a tip nut to compress a cutting tip into the tapered head. This creates a firm gas-tight metal-to-metal seat.

## Cutting Tip

Cutting tips are available in a wide variety of configurations and sizes. Cutting tips keep the preheat gas mixture and cutting oxygen stream separated and provide flame characteristics needed for a particular cutting application. Tips are sized according to the thickness of metal they can cut. For instance, a number 000 tip is designed to cut metal 1/16" to 1/8" (1.6 - 3.2mm) in thickness, and a number 00 tip will cut metal 1/8" to 1/4" (3.2 - 6.4mm) in thickness. For further information on tip sizes and selections, refer to the charts located in Section 9.



### **CAUTION**

---

*Always make sure your equipment is rated for the size tip you have selected. A tip with too much capacity for the equipment can starve or choke the tip. This causes overheating of the head and a backfire may result. Use only genuine Victor®, Cutskill®, or Firepower® tips, welding nozzles and multi-flame nozzles to ensure leak-free connections and balanced equipment.*



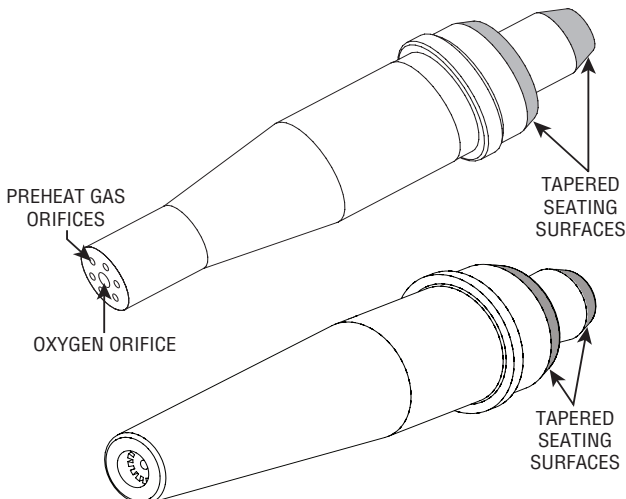


Figure 6: Cutting Tip (1-1-101, GPN)

## Tapered Seating Surfaces

The tapered end of the tip is machined to fit into the cutting attachment head. A tip nut secures the tip into the head. The tapered surfaces form a metal-to-metal seal (see Figure 6). Inspect both the head and tip tapers frequently for signs of damage or wear.



### **WARNING**

*A damaged seating surface on either the tip or the head can create a hazardous condition, resulting in a backfire or sustained backfire. This may damage the cutting attachment. If the seating surface of a tip becomes damaged, DO NOT use the tip. Discard the damaged tip. If the head requires repair, take the torch to a qualified repair technician.*

## Preheat Orifices and Oxygen Orifices

Cutting tips are subjected to much abuse in cutting operations. Slag can splatter and stick to the cutting tip, clogging or obstructing the passages through which the gas must flow. Remove splatter from the tip orifices with appropriate tip cleaners.

### **NOTE**

*Repeated cleaning can affect the flame configuration and render the tip unsuitable for precision work.*

## Welding Nozzle

The welding nozzle is usually an assembly consisting of a welding elbow, a gas mixer, and a coupling nut. A wide range of tip and nozzle configurations are available for attachment to the torch handle. Typical tip and nozzle applications include welding, brazing, soldering, heating, and hard facing.

# CUTTING, HEATING AND WELDING GUIDE

## Welding Elbow

The welding elbow is a tellurium copper tube that has been swaged to a specific orifice size on one end. Like cutting tips, welding tips have a calibrated orifice for welding various thicknesses of metal. For further information on nozzle sizes and selections, please refer to the chart located in Section 9. In the oxy-fuel welding process, slag can splatter and clog the tip orifice. Remove spatter from the orifice with a round file (tip cleaner).

### NOTE

*Repeated cleaning may alter the orifice size, requiring adjustments to the gas supply.*

## Multi-Flame Heating Nozzles (Rosebuds)

The multi-flame heating nozzle is basically a large welding nozzle (see Figure 7). The coupling nut and mixer assembly are similar in design to a welding nozzle. The multi-flame head is machined to utilize numerous flames. This provides additional heating capacity for heavy heating applications.

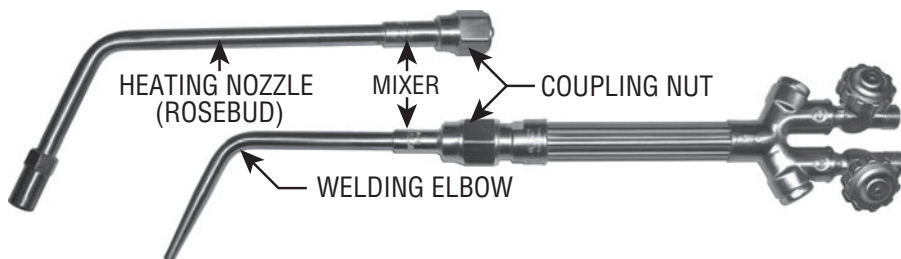


Figure 7: Welding Nozzle

## Gas Mixer

The welding / heating nozzle cone end is similar to that of the cutting attachment cone end. The difference is that the welding / heating nozzle cone end is designed to mix the oxygen and fuel gases, whereas the cone end in the cutting attachment is not. When the oxygen meets with the fuel gas, a homogenizing mixing effect occurs. This complete mixing of the gases results in a well-balanced flame composition. Like the cutting attachment cone end, the welding / heating nozzle has two O-rings. They maintain the separation of gases prior to the point at which mixing occurs. They allow a hand-tight connection of the welding nozzle and the torch handle.

### WARNING

*There must always be two O-rings on the cone end. The absence or damage of either of these O-rings allows premixing and leaks of oxygen and fuel gases. This can lead to a backfire or sustained backfire within the torch handle.*

## Coupling Nut

The welding / heating nozzle coupling nut is similar in design to the coupling nut on the cutting attachment. A locking ring in the coupling nut mates with a groove in the forward portion of the welding nozzle mixer, thus allowing the nut to protect the cone end and O-rings (see Figure 7). Examine the O-rings by twisting and pushing the coupling nut away from the cone end.

### CAUTION

*Use only genuine Victor®, Cutskill®, or Firepower® torch handles, welding nozzles and multi-flame nozzles to ensure leak-free connections and balanced equipment.*

---

**SECTION 5:  
SETTING UP EQUIPMENT FOR WELDING**

---

**5.01 CYLINDERS**

Place the oxygen and fuel gas cylinders together where they are used. Secure them properly (see Figure 8). Chain or secure cylinders to a cylinder cart, wall, work bench, post, etc.

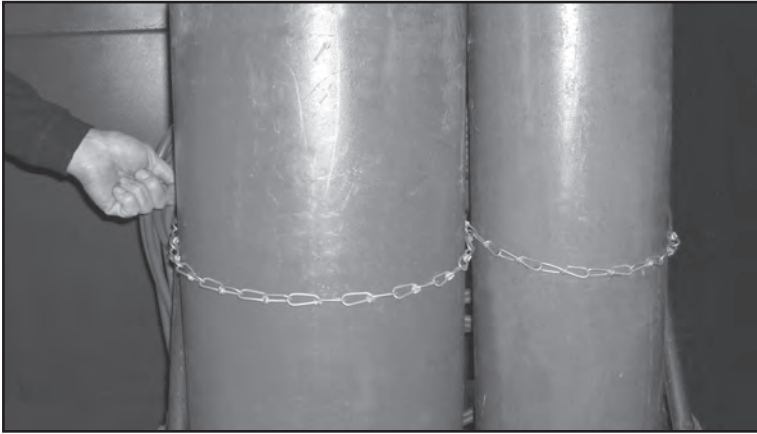


Figure 8: Securing the Cylinders in the Cart



---

**CAUTION**

---

*Cylinders are highly pressurized. Always handle with care. Never allow cylinders to be dropped, knocked over, or subjected to excessive heat. When moving cylinders, always be certain that valve protection caps are secured in place. Place valve protection caps where they are easily found. Replace the cap when the cylinders are empty or not in use.*

**Important Safety Notes**

- Always keep cylinders secured properly in a vertical position.
- Do not strike, drop, or apply heat to any cylinder or valve.
- Always keep valve protection caps in place whenever cylinders are moved or in storage, whether cylinders are full or empty.
- Mark empty cylinders “empty” or “MT”.
- Close valves completely on empty cylinders.
- Do not use a cylinder that does not have a gas identification label attached to it.
- Close valves completely prior to regulator removal.

## 5.02 REGULATORS

1. Carefully inspect the cylinder valve, regulator threads and mating surfaces for traces of oil, grease, or dirt. DO NOT wipe the mating surfaces with your finger. Make sure the regulator has the correct pressure rating for the cylinder being used (see Figure 9).



Figure 9: Inspecting the Cylinder and Cylinder Valve

### WARNING

*DO NOT use the regulator if oil, grease, or damaged parts are detected on the regulator or the cylinder valve or if the inlet filter is missing or dirty (see Figure 9). Inform your gas supplier of this condition immediately. Have a qualified repair technician clean or repair the regulator.*

2. Momentarily open and close the cylinder valve (commonly referred to as “cracking”). This dislodges any loose contaminants that may be present.

### CAUTION

*Open the cylinder valve only slightly. If the valve is opened too much the cylinder could tip over. When “cracking” the cylinder valve, DO NOT stand, nor have anyone stand directly in front of the valve opening. Stand behind or to one side. Crack the cylinder valve in a well ventilated area only. If an acetylene cylinder sprays a mist when it is cracked, let it set for 30 minutes. Then try to crack the cylinder valve again. If the problem persists, contact your gas supplier.*

### CAUTION

*Use the regulator only for the gas and pressure for which it is designed. NEVER alter a regulator for use with any other gas.*

## SET-UP AND SAFE OPERATING PROCEDURES

3. Before attaching the oxygen regulator to the oxygen cylinder valve, carefully inspect the regulator for damaged threads, dirt dust, and grease, oil, or other flammable substances. Remove dust and dirt with a clean cloth. Be sure the inlet swivel filter is clean and in place. Attach the regulator to the cylinder valve. Tighten securely with a wrench.
4. Before attaching the fuel gas regulator to the fuel gas cylinder valve, inspect the regulator as in step three. Tighten securely with a wrench in the direction necessary for the particular fuel gas connection in use.
5. Connect the gas hose to the regulator outlet fitting.
6. Before opening the cylinder valves, release the tension on the regulator adjusting screws by turning them counterclockwise until all spring pressure is released.

### Turning on the Cylinders

1. Be certain that the tension on the regulator adjusting screws has been released. Stand so that the cylinder valve is between you and the regulator.



*Never stand, nor have anyone stand in front or behind a regulator when opening the cylinder valve. Always stand so that the cylinder is between you and the regulator (see Figure 10).*

2. Slowly and carefully open the oxygen cylinder valve until the maximum pressure registers on the high pressure gauge. Now, open the oxygen cylinder valve completely to seal the valve packing.
3. Slowly open the fuel gas cylinder valve in the same manner.



*Open the acetylene cylinder valve approximately  $\frac{3}{4}$  of a turn and no more than  $1\frac{1}{2}$  turns. For all other fuel gases, open the fuel gas cylinder completely. Keep the cylinder wrench, if one is required, on the cylinder valve so the cylinder may be quickly turned off in the event an emergency situation arises.*



Figure 10: Opening the Cylinder Valve

# CUTTING, HEATING AND WELDING GUIDE

---

## 5.03 GAS HOSES

1. Connect the oxygen hose to the oxygen regulator. Tighten the connection firmly with a wrench.
2. Adjust the oxygen regulator to allow 3-5 PSIG (21-34 kPa) to pass through the hose. Allow oxygen to flow for 5-10 seconds to clear the hose of dust, dirt, or preservatives. Shut off the oxygen flow.
3. Attach and clear the fuel hose in the same manner.

### Important Safety Notes

- Be certain cylinder valves and regulator connections are completely free of dirt, dust, oil, or grease.
- If oil, grease, or damage is detected on the cylinder valves, DO NOT use the cylinder. Notify the cylinder supplier immediately.
- If oil, grease, or damage is detected on the regulator, DO NOT use the regulator. Have the regulator cleaned or repaired by a qualified repair technician.
- Never stand directly in front or behind a regulator when opening the cylinder valve. Stand so that the cylinder valve is between you and the regulator.
- Always open the cylinder valves slowly and carefully.
- Always check for leaks on the regulator and cylinder valve connections.



---

*Be sure to clear hoses in a well-ventilated area. The escaping gases create conditions for fires and explosions.*

*Keep hoses clear of any falling metal, slag, or sparks.*

*Never allow hoses to become coated with oil, grease or dirt. This could conceal damaged areas on the hoses.*

*Examine the hoses before attaching the torch handle or regulators. If any cuts, burns, worn areas, cracks, or damaged fittings are found, repair or replace the hose.*

---

## 5.04 TORCH HANDLE

Since cutting attachments, brazing nozzles, and heating nozzles are all connected to the torch handle, the torch handle is probably the most frequently used item in a welding shop. Always be sure to protect the torch handle from possible damage or misuse.

1. Inspect the torch handle head, valves, and hose connections for oil, grease, or damaged parts.
2. Inspect the hose connections in the same manner. DO NOT use them if oil, grease, or damage is detected.
3. Inspect the torch handle. The tapered seating surfaces in the head must be in good condition. If dents or burned seats are present, the seat must be resurfaced. If the torch handle is used with poor seating surfaces, backfire may occur.

## SET-UP AND SAFE OPERATING PROCEDURES

4. If using external check valves or flashback arrestors, follow the manufacturer's installation instructions.
5. See Note and Caution in Section 4.03 for the use of add-on check valves and flashback arrestors.
6. Attach the hose to the torch handle and tighten securely with a wrench.

Victor® strongly recommends using reverse flow check valves on the torch handle if they are not already built into the torch handle. Check valves reduce the possibility of mixing gases in the hoses and regulators which may cause a flashback. A flashback can propagate into the hoses, regulators, or cylinders, which may result in serious damage to the equipment or injury to the operator. Victor® also recommends using external flashback arrestors if the torch handle does not have internal flashback arrestors built in, to further reduce the possibility of a flashback (see NOTE, Section 4.03).

### 5.05 WELDING NOZZLE

1. Inspect the cone end, coupling nut, O-rings, and welding nozzle for damage, oil or grease. Do not use if damage or contaminants are present.



*There must always be two O-rings on the cone end. The absence or damage of either of these O-rings allows premixing of the oxygen and fuel gases. This can lead to a sustained backfire within the torch handle.*

2. Connect the welding nozzle to the torch handle. Tighten the coupling nut HAND-TIGHT only. Using a wrench could damage the O-rings and create a faulty seal.

#### Multi-Flame Heating Nozzles (Rosebuds)

Multi-flame heating nozzles are set up exactly as the welding nozzle. Follow the safety and operation procedures described above for the welding nozzle.



*Never starve or choke a welding nozzle or multi-flame heating nozzle. This causes overheating of the nozzle and a backfire or sustained backfire may result. Should a sustained backfire occur (flame pops and disappears and/or a hissing sound is heard, the flame is burning inside the nozzle), immediately turn off the oxygen valve on the torch handle. Then, turn off the fuel valve. Allow the nozzle to cool before using it. If a backfire reoccurs, have the apparatus checked by a qualified technician before using again.*

#### Leak Testing the System

The system MUST be tested for leaks before lighting the torch. To leak test the system perform the following steps.

1. Be sure that both the oxygen and fuel control valves on the torch handle are closed.
2. With the oxygen cylinder valve open, adjust the oxygen regulator to deliver 20 PSIG (10 kPa).
3. With the fuel cylinder valve open, adjust the fuel regulator to deliver 10 PSIG (70 kPa).
4. Close both the oxygen and fuel cylinder valves.

## CUTTING, HEATING AND WELDING GUIDE

---

5. Turn the adjusting screws counterclockwise  $\frac{1}{2}$  turn.
6. Observe the gauges on both regulators for five minutes. If the gauge readings do not change, then the system is leak tight. If there is a leak, use an approved leak detection solution to locate it.
  - If the inlet gauge reading decreases, there is a leak at the cylinder valve or inlet connection. Tighten the inlet connection after the pressure has been released from the regulator. If the inlet connection still leaks try another cylinder. If the same leak develops, take the regulator to a qualified repair technician.
  - Never tighten a cylinder valve.
  - If the cylinder valve is leaking, remove the regulator from the cylinder, place the cylinder outdoors and notify your gas supplier immediately. If the delivery gauge reading decreases, there is a leak at the regulator outlet connection, within the hose, at the torch inlet connection or at the control valves on the torch handle. Tighten the regulator outlet connection and the torch handle inlet connection after the pressure has been released from the system.
  - If the connections are still leaking, take the regulator or torch handle to a qualified repair technician.
  - If the hoses are leaking, replace them.
  - If the high pressure gauge drops and at the same time the delivery gauge rises, there is a leak in the regulator seat. Take the regulator to a qualified repair technician for repair.
7. After leak testing the system, open the cylinder valves and proceed.



---

*If a leak has been detected anywhere in the system, discontinue use and have the system repaired. DO NOT use leaking equipment. Do not attempt to repair a leaking system while the system is under pressure. Perform all operations in a well ventilated area to help prevent the concentration of flammable or toxic fumes.*

---

### 5.06 SETTING UP TO WELD, LIGHTING THE TORCH, AND ADJUSTING THE FLAME

1. Check the thickness of the metals to be welded. Prepare the metal as described in Figure 13. Refer to the welding tip selection chart in Section 9 to determine the tip size that is required and the regulator pressures for the job.
2. Open the oxygen valve on the torch handle and adjust the oxygen regulator to the required delivery range. Then close the torch handle oxygen control valve; this will purge the oxygen hose.
3. Open the fuel valve on the torch handle and adjust the fuel regulator to the required delivery range. Then close the torch handle fuel control valve; this will purge the fuel hose.



### **WARNING**

*If the torch handle and hoses are already connected to the regulators, the system **MUST** still be purged after every shut-down in a well ventilated area. Open the oxygen valve 1/2 turn. Allow the gas to flow 10 seconds for tips up to a size 3 and 5 seconds for sizes 4 and larger for each 25 feet (7m) of hose in the system. Close the oxygen valve and purge the fuel system in the same manner.*

4. Wear the recommended protective goggles (shaded 5 or darker) with tempered lenses to shield your eyes from the light. Wear protective clothing as required (see “Protective Apparel” Section 2.02).

### **NOTE**

*The following instructions cover torch adjustment procedures for acetylene only. Contact your gas supplier for instructions on the use of other fuel gases.*

5. Hold the torch in one hand and the spark lighter in the other. Be sure the spark lighter is away from the tip and not obstructing the gas flow.

**NOTE:** *Alternate fuel gases tend to “float” when lit. One of the safest means to light the alternate fuel gas is to place the tip (cutting, heating, and brazing) at a 45 degree angle against the work piece. Open the torch fuel gas valve approximately 1/4 turn and ignite the fuel gas. Open the fuel gas valve approximately another 3/4 turn and add oxygen while the tip remains at the 45 degree angle against the work piece. Lift the torch and adjust to a neutral flame. Never open and light the fuel gas and oxygen at the same time.*

6. Open the torch fuel valve approximately 1/8 turn and ignite the gas.

### **CAUTION**

*Point the flame away from people, equipment, and all flammable materials.*

7. Continue opening the fuel valve until the flame stops smoking (see Figure 11).

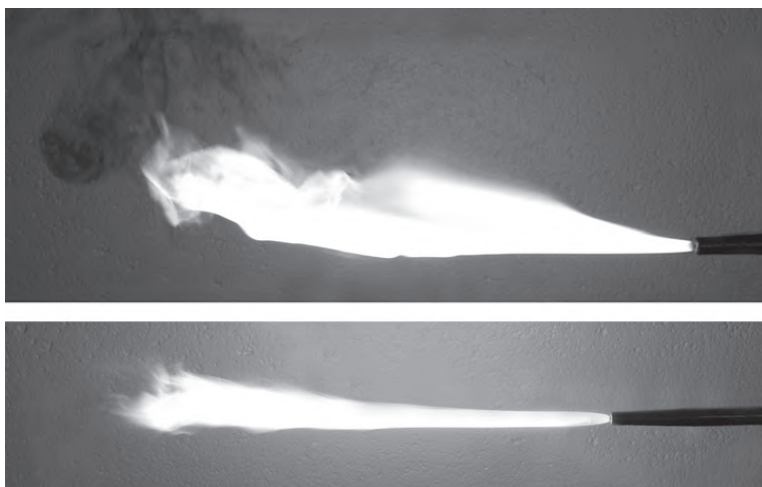


Figure 11: Adjusting the Flame

## CUTTING, HEATING AND WELDING GUIDE

8. Open the torch oxygen valve until a bright neutral flame is established (see figure 12).

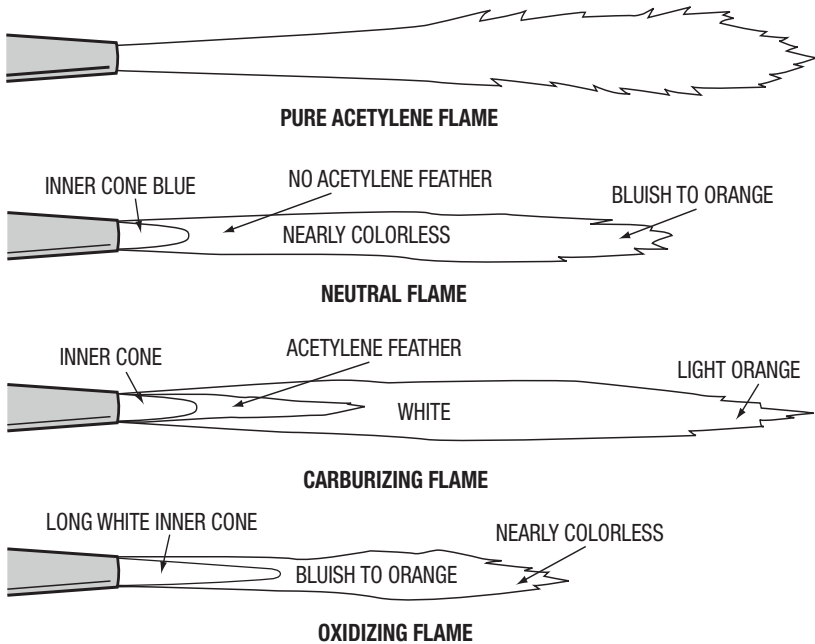


Figure 12: Acetylene Welding Flames

### NOTE

Fuel gases such as propane, propylene, MPs, natural gas and others will produce flames of different intensities of blue color. To set a neutral flame using one of these fuel gases, adjust the flame setting to where the feather is reduced to the inner cone. A smooth radius inner cone tip, deep blue in color, is the neutral setting. Once this setting is reached, increasing the oxygen or decreasing the fuel will make the inner cone become a lighter shade of blue and the flame will become oxidizing.

### WARNING

If you experience a sustained backfire (a shrill hissing sound when the flame is burning inside the nozzle), immediately turn off the oxygen valve on the torch handle. Then, turn off the fuel valve. Allow the torch and nozzle time to cool before attempting to reuse. If backfire recurs, take the apparatus to a qualified repair technician for repair before using the equipment again.

## SECTION 6: WELDING PROCEDURES

In oxy-fuel welding, two metals are joined by melting or fusing their adjoining surfaces. This is accomplished by directing an oxy-fuel flame over the metals until a molten puddle is formed. Any foreign material in the molten puddle will change the metals composition and weaken it. A filler rod is then introduced into the puddle to help the metals fuse together.

### 6.01 PREPARING THE METALS TO BE WELDED

1. Clean the metal joints to be welded from all scale, rust, dirt, paint, grease and all foreign materials.
2. Some thicker metals may require additional preparation. Base metals 1/8" (3.2mm) or less do not require beveling (see Figure 13 and Figure 15).
3. Place the metal to be welded on a non-flammable work table and determine where the tacking will be required.

#### ADDITIONAL PREPARATIONS

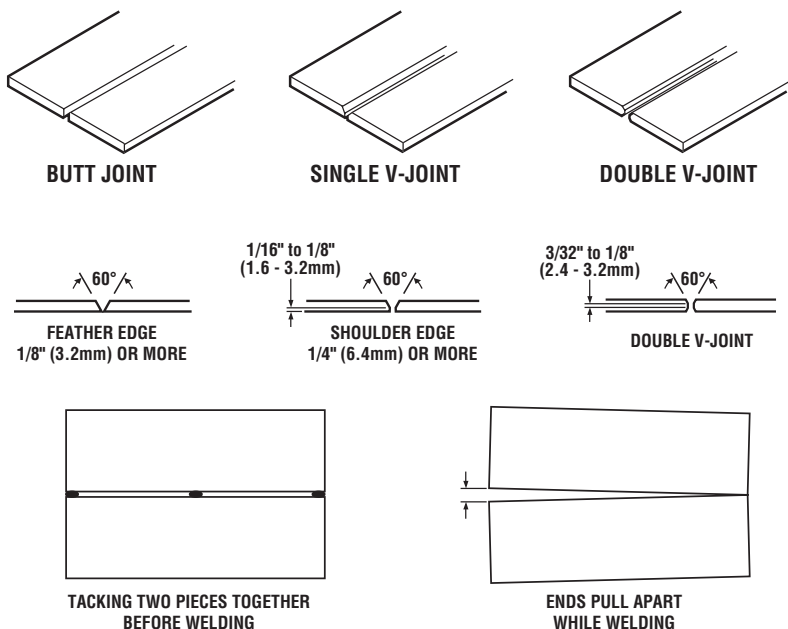


Figure 13: Preparing the Metal

### 6.02 PREVENTING THE METALS FROM WARPING

1. Begin by tacking the ends of the two pieces of metal together before welding. Longer pieces may need to be tacked every few inches along the joint (see Figure 13).
2. Longer pieces may also require additional penetration gap, Victor® recommends 1/16" - 1/8" (1.6 - 3.2mm).

## CUTTING, HEATING AND WELDING GUIDE

### 6.03 FOREHAND AND BACKHAND WELDING TECHNIQUES

Two techniques are employed for oxy-fuel welding, forehand and backhand (see Figure 14). The forehand technique is recommended for welding material up to 1/8" (3.2mm) thickness because of better control of the small weld puddle. Backhand welding is generally more suitable for materials thicker than 1/8" (3.2mm). Increased speed and better fusion at the root of the weld is normally achieved with backhand welding.

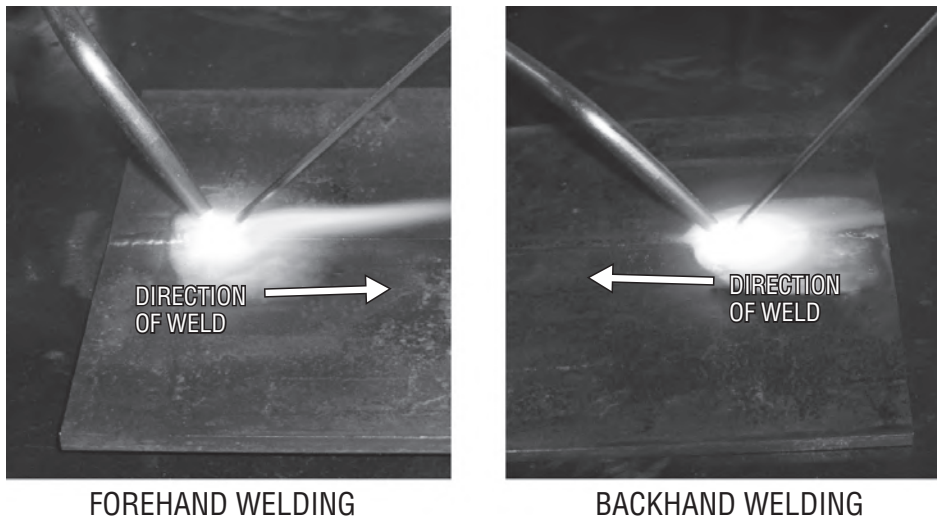


Figure 14: 1/8" (3.2mm) Metal

In the forehand technique, the welding rod precedes the tip in the direction of the weld. The flame is pointed in the same direction as the weld. It is directed downward at an angle which preheats the edge of the joint. The welding nozzle and welding rod may be manipulated.

In backhand welding, the torch tip precedes the rod in the direction of the weld. The flame is pointed back toward the molten puddle and completed weld. The end of the welding rod is placed in the flame between the nozzle and the weld.

### 6.04 STARTING AND FINISHING THE WELD

The forehand butt weld with filler rod is one of the most common joints made. The basic procedures of the butt weld can be applied to any other type of joint:

1. Tack or fuse the base metals at the predetermined intervals.
2. Hold the torch nozzle at an angle of approximately 45° to the joint (see Figure 15).
3. Move the torch nozzle over the starting edges of the joint. Rotate the flame near the metal in a circular or semicircular motion until the base metals run into a small puddle.
4. Dip the end of the filler rod in and out of the molten puddle, this melts the rod and adds to the puddle.
5. Continue the dipping motion of the filler rod into the puddle. Then move the torch back and forth across the joint.

## SET-UP AND SAFE OPERATING PROCEDURES

- Advance the torch nozzle at a rate of approximately  $1/16$ " (1.6mm) of the filler rod as it is added to the puddle until the end of the joint is achieved.
- Since the angle of the nozzle flame is preheating the metals ahead of the weld, the last  $1/2$ " (12.7mm) of the weld is critical. Increase the addition of the filler rod to ensure a full smooth weld. Refer to Figure 16 for the visual characteristics of a good and bad weld joint.

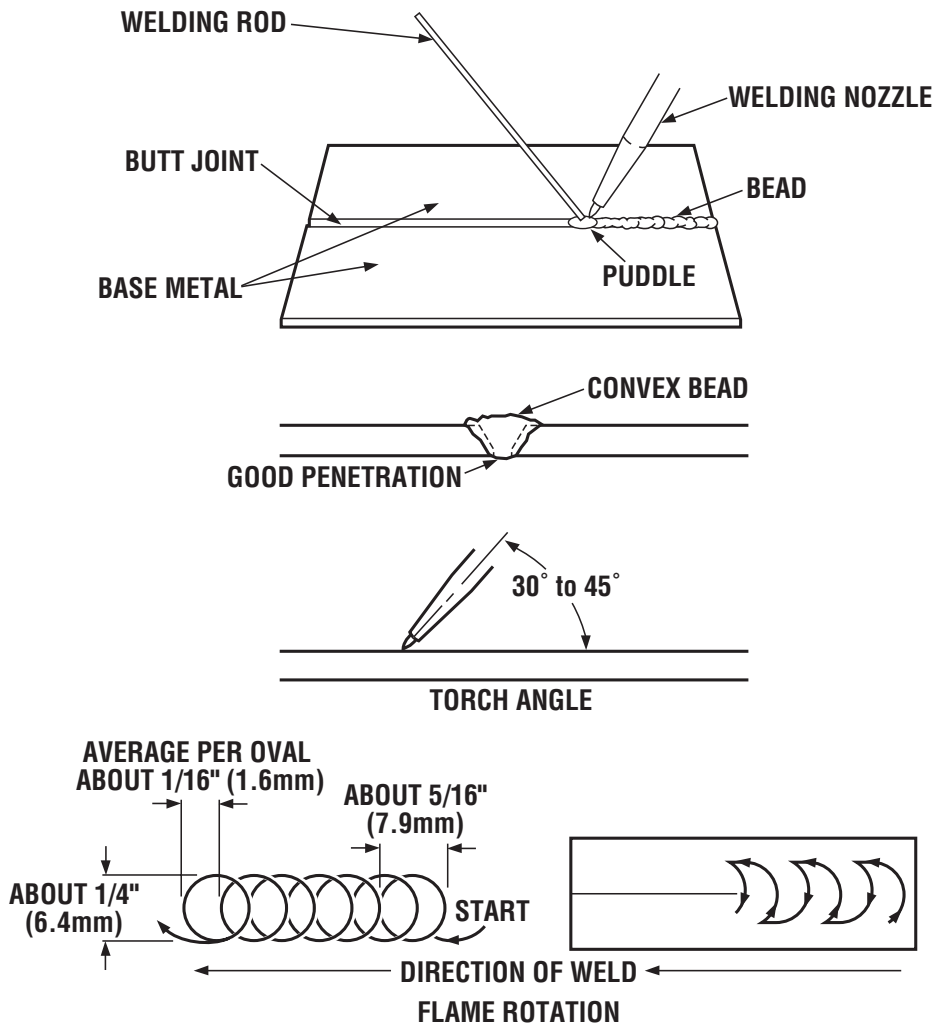


Figure 15: Starting and Finishing a Weld

## CUTTING, HEATING AND WELDING GUIDE

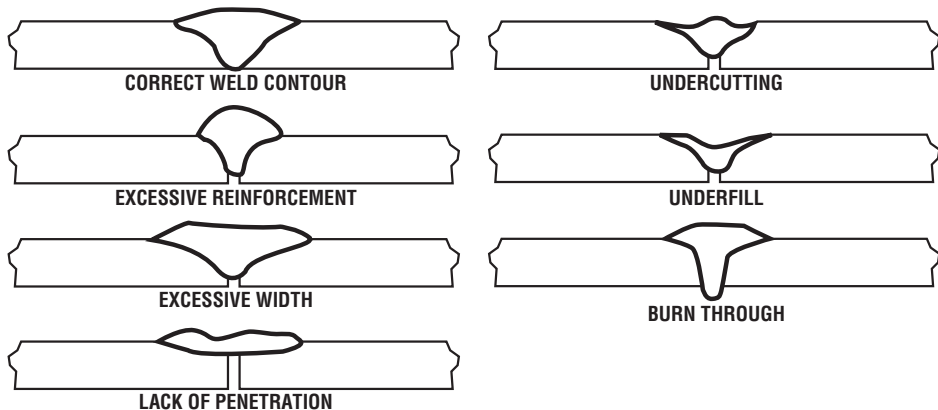


Figure 16: Characteristics of Good and Bad Welding Joints

### 6.05 OXY-FUEL BRAZING AND BRAZE WELDING

Brazing is a process characterized by heating the base metal to temperatures above 840°F (450°C), while remaining below the metal's melting point. Generally speaking, most metals can be joined with a simple brazing operation as long as the correct filler rod or flux is used.

#### **NOTE**

*Always ensure you are using the proper filler rod and flux for the job at hand.*

Contact your local Victor® supplier for charts on the various filler rods and fluxes that are available. Flux is required to prepare the metals for joining.

Like Arc Welding, brazing uses molten metal to join two pieces of metal. The metal added during the process has a melting point lower than that of the work piece. Brazing uses metals with a higher melting point, 840°F (450°C). Brazing does not melt the metal being worked on. The brazing process does not normally create distortions or weaknesses in the metal work piece that may occur with other welding applications. Brazing can produce a strong joint and often is used to join metals other than steel, such as brass.

#### **Preparing the Metals to be Brazed**

A successful brazing operation can depend on the closeness of the joint tolerances. Typically the clearance is between 0.001" to 0.010" (0.025mm - 0.254mm).



#### **CAUTION**

*Perform all brazing processes in a well-ventilated area. Toxic fumes may be generated by the brazing process. Refer to the Material Safety Data Sheets (MSDS) for the brazing rod and flux to help ensure proper safety measures are in place before welding.*

#### **Setting Up for Welding Applications**

1. Clean away paint, rust, grease and dirt prior to beginning the brazing operation. After cleaning the parts, assemble or secure the joints for brazing.

## **SET-UP AND SAFE OPERATING PROCEDURES**

---

2. Refer to the Welding Nozzle Data Charts in Section 9 to help select the proper welding nozzle size and regulator pressure settings.
3. Follow all safety and operating procedures for setting up welding and heating nozzles.
4. Follow all safety and operating procedures for setting up cylinders and regulators.

### **Brazing Sheet Steel**

The following brazing procedures described apply to brazing strips of sheet steel. However, the techniques can be utilized in all brazing applications.

1. Heat the tip of the brazing rod and dip it into the flux. Some of the flux will adhere to the heated rod.

#### **NOTE**

---

*Some rods may already have a flux coating.*

2. Preheat the base metal to a dull red color. If the base metal is heated to a higher temperature than this, it may develop surface oxides.
3. Touch the fluxed rod to the heated metal. Allow some flux to melt and react with the base metal. The melted flux reacts and chemically cleans the base metal.
4. Melt off small amounts of fluxed rod as you braise. If the rod flows freely and “tins” (adheres to the heated base metal), you have reached the correct temperature.
5. Maintain this temperature by continually moving the flame over the metal. Continue to dip the rod into the flux. Add sufficient rod to the molten puddle to build the bead.
6. Continue to tin and build a bead until the desired section is covered.

### **Upon Completion of All Welding and Brazing Operations**

1. Shut off the torch oxygen valve. Then, shut off the torch fuel valve. Be careful not to shut off the fuel valve first; this may create a “pop” type sound. When the “pop” happens it throws carbon soot back into the torch and may in time partially clog gas passages and the flashback arrestors.
2. Close both cylinder valves.
3. Open the torch handle oxygen valve. Release the pressure from the system and then close the torch oxygen valve.
4. Turn the adjusting screw on the oxygen regulator counterclockwise to release all spring pressure.
5. Open the torch handle fuel valve and release the pressure from the system. Close the torch fuel valve.
6. Turn the adjusting screw on the fuel gas regulator counterclockwise to release all spring pressure.
7. Check the inlet gauges after a few minutes to ensure the cylinder valves are turned off completely and there is no pressure remaining in the system.

# SECTION 7: SETTING UP THE EQUIPMENT FOR CUTTING

---

The oxy-fuel cutting process consists of preheating the starting point of the metal to be cut to a bright cherry red kindling temperature. Once the desired kindling temperature is achieved, a stream of cutting oxygen is introduced. This ignites and burns the metal, carrying away the slag (oxidized residue). Oxy-fuel cutting can be applied to plain carbon steels, low-alloy steels and some other ferrous metals. Nonferrous metals, stainless steels, and cast iron are not usually cut using oxy-fuel equipment.



### CAUTION

---

*Use only genuine Victor®, Cutskill®, or Firepower® torch handles, cutting attachments, and cutting tips together to ensure leak free connections and balanced equipment.*

## 7.01 SETTING UP FOR CUTTING APPLICATIONS

1. Inspect the cone end, coupling nut, and torch head for oil, grease, or damaged parts. Also inspect the cone end for missing or damaged O-rings.



### WARNING

---

*If you find oil, grease, or damage, DO NOT use the apparatus until it has been cleaned or repaired by a qualified repair technician. The two O-rings on the cone end must be in place and in good condition. The absence of either of these O-rings allows pre-mixing of oxygen and fuel gases. This can lead to a sustained backfire within the torch handle and cutting attachment.*

---

2. Inspect the cutting tip and cutting attachment head. All tapered seating surfaces must be in good condition. Discard damaged cutting tips. If you find dents, burns, or burned seats, resurface the torch head. If you use the cutting attachment with poor seating surfaces, a backfire or sustained backfire may occur.



### WARNING

---

*If the tapered seats on the cutting tip are damaged (see Figure 6), DO NOT use the tip. Poor seating surfaces may cause a backfire or sustained backfire.*

---

3. Inspect the preheat and cutting oxygen holes on the tip. Slag can stick on or in these holes. If the holes are clogged or obstructed, clean them out with the proper size tip cleaner.
4. Insert the tip into the cutting attachment head. Tighten the tip nut securely with a wrench, 15-20 ft.-lbs. (20-27 Nm) torque (see Figure 17).





Figure 17: Tightening the Tip Nut

5. Connect the cutting attachment to the torch handle and tighten the coupling nut until it is hand tight. DO NOT use a wrench, as damage to the O-rings may occur creating a faulty seal.
6. Refer to the Tip Flow Data Charts for correct cutting tip, regulator pressures, and travel speed (see Section 9).
7. Follow cylinder and regulator safety and operating procedures.
8. Open the oxygen valve on the torch handle completely.
9. Open the preheat oxygen control valve on the cutting attachment and adjust the oxygen regulator to the desired delivery pressure. This will purge the oxygen hose.
10. Close the preheat oxygen control valve.
11. Open the fuel valve on the torch handle and adjust the fuel regulator delivery range. This will purge the fuel hose.
12. Close the fuel control valve on the torch handle.
13. Momentarily depress the cutting oxygen lever to purge the cutting oxygen passage in the cutting attachment.

### **WARNING**

*If the torch handle and hoses are already connected to the regulators, the system MUST still be purged after each shut-down. Open the oxygen valve 1/2 turn. Allow the gas to flow 10 seconds for tips up to size 3, and 5 seconds for sizes 4 and larger for each 25 feet (7m) of hose in the system. Close the oxygen valve and purge the fuel system in the same manner.*

### **NOTE**

*Always wear protective clothing and proper goggles to shield your eyes from infrared light (see "Protective Apparel", Section 2.02).*

## CUTTING, HEATING AND WELDING GUIDE

---

14. Open the fuel valve on the torch handle approximately 1/8 turn and ignite the gas with a spark lighter. Be sure the spark lighter is away from the tip and not obstructing the gas flow.

**NOTE:** Alternate fuel gases tend to “float” when lit. One of the safest means to light the alternate fuel gas is to place the tip (cutting, heating, and brazing) at a 45 degree angle against the work piece. Open the torch fuel gas valve approximately 1/4 turn and ignite the fuel gas. Open the fuel gas valve approximately another 3/4 turn and add oxygen while the tip remains at the 45 degree angle against the work piece. Lift the torch and adjust to a neutral flame. Never open and light the fuel gas and oxygen at the same time.

15. Continue to increase the fuel supply at the torch handle until the flame stops smoking.
16. Slowly open the preheat oxygen control valve on the cutting attachment until the preheat flame is established with a smooth inner cone.
17. Depress the cutting oxygen lever. If necessary, readjust the preheat flames slightly to a neutral flame by increasing the preheat oxygen at the cutting attachment until the preheat flames are again neutral. If the preheat flames are not the same size and the cutting oxygen is not straight, turn off the torch and let it cool, then clean the tip.



---

*Never open and light the fuel gas and oxygen at the same time.*

---



---

*If you experience a sustained backfire (flame disappears and/or a shrill hissing sound is heard caused by the flame burning inside the cutting attachment), immediately turn off the preheat oxygen control valve on the cutting attachment. Then turn off the torch handle fuel valve. Allow the cutting attachment to cool before attempting to relight. If backfire recurs, have the apparatus checked by a qualified repair technician before using the apparatus again.*

---

### **NOTE**

---

*Inspect the areas where slag and sparks will fall. Serious fires and explosions are caused by careless torch operations. Take all possible precautions. Have fire extinguishers available. Remove or protect flammable substances, including oxygen and fuel hoses, before starting to work. Refer to Figure 23 for a graphic sequence of recommended procedures for efficient flame cutting.*

---

18. Hold the cutting attachment and torch handle comfortably in both hands. Stabilize the torch and position the cutting tip preheat flames approximately 1/4" (6.4mm) from the base metal.
19. Direct the preheat flame to the spot where the cut is to begin (see Figure 18). Before the cutting action can start, preheat the starting point of the metal to a bright cherry red kindling temperature. When the red spot appears, depress the cutting oxygen lever slowly and fully.

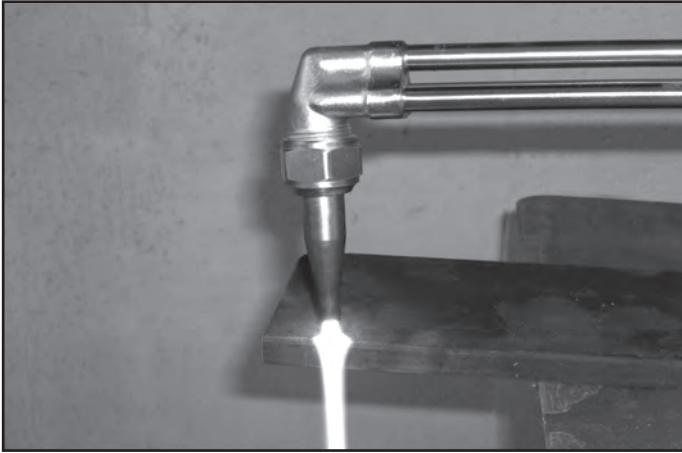


Figure 18: Starting the Cut

20. When the cut starts, move the torch in the direction you wish to cut (see Figure 19).

**NOTE**

*Moving too slowly allows the cut to fuse together. Moving too fast will not preheat the metal and the cut will be lost.*

21. Continue to fully depress the cutting oxygen lever until the cutting oxygen stream is past the base metal for a good drop cut (see Figure 23).

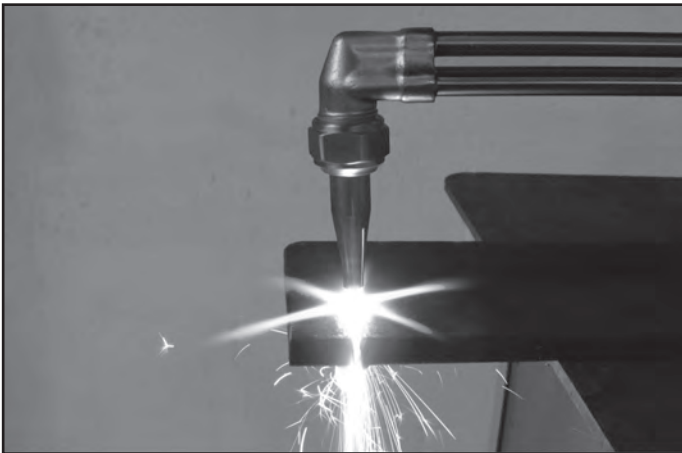


Figure 19: Cutting

# CUTTING, HEATING AND WELDING GUIDE

---

## Starting a Cut by Piercing

1. Preheat a small spot on the base metal to a bright cherry red kindling temperature (see Figure 20).

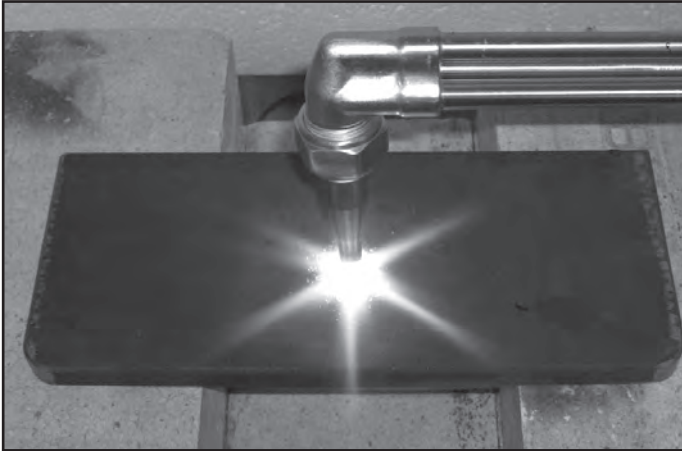


Figure 20: Starting to Pierce

2. Tilt the torch tip slightly to one side. This prevents the sparks and slag from blowing towards you.
3. When the metal is pierced, rotate the torch. Move the torch steadily in the direction you wish to cut (see Figure 21).



Figure 21: Piercing

### NOTE

*If the metal is not pierced all the way through it could mean that there is not enough oxygen flow. Other possibilities could be: the wrong tip size, hose size, or cutting oxygen pressure being used.*

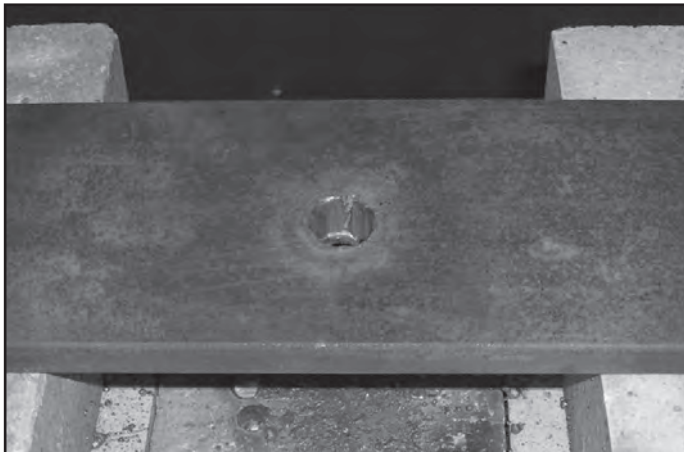


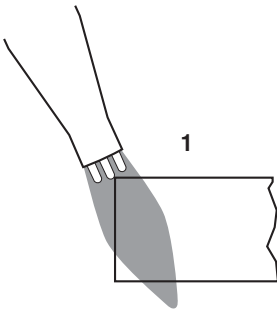
Figure 22: Cutting by Piercing

### Upon Completion of all Cutting Operations

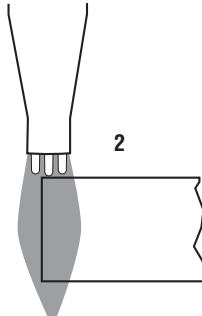
1. Shut off the oxygen preheat valve. Then, close the torch fuel valve. Be careful not to shut off the fuel valve first, this may create a “pop” type sound. When the “pop” happens it throws carbon soot back into the torch and may in time partially clog gas passages and the flashback arrestors.
2. Close both cylinder control valves on the gas source supply.
3. Open the oxygen valve and depress the cutting oxygen lever. Release the pressure from the system and then close the oxygen preheat and the torch handle oxygen control valve.
4. Turn the adjusting screw on the oxygen regulator counterclockwise to release all spring pressure.
5. Open the torch fuel control valve and release the pressure from the system. Close the fuel valve.
6. Turn the adjusting screw on the fuel gas regulator counterclockwise to release all spring pressure.
7. Check the inlet gauges after a few minutes to ensure the cylinder valves are turned off completely and no pressure remains in the system.
8. Remove slag left on the cut edge with a chipping hammer or brush. Never remove slag from the cut edge with the torch head or cutting tip.

# CUTTING, HEATING AND WELDING GUIDE

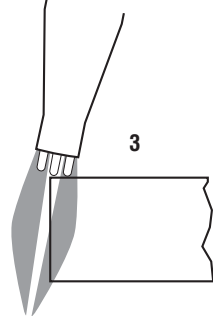
## Recommended Procedure for Efficient Flame Cutting of Steel Plate



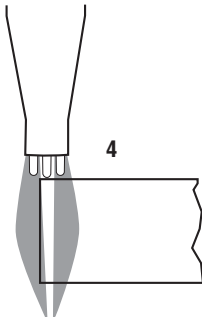
1  
Start to preheat: point tip at angle on edge of plate.



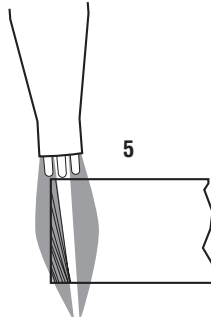
2  
Rotate tip to upright position.



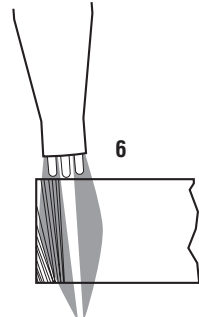
3  
Press cutting lever slowly and fully, rotate tip backward slightly.



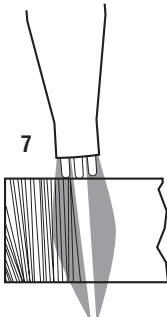
4  
Now rotate to upright position without moving tip forward.



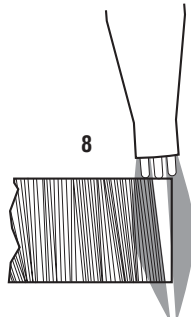
5  
Rotate tip more to point slightly in direction of cut.



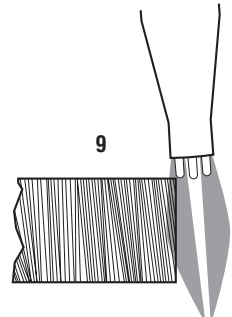
6  
Advance as fast as good cutting action will permit.



7  
Do not jerk; maintain slight leading angle toward direction of cut.



8  
Slow down; let cutting stream burn corner edge at bottom.



9  
Continue steady forward motion until tip has cleared end.

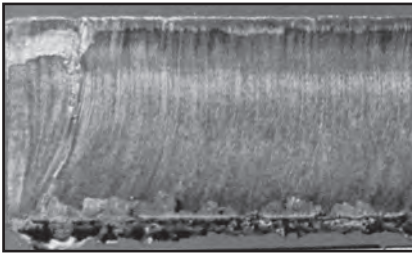
Figure 23: Recommended Procedures for Efficient Flame Cutting

**SECTION 8:  
TROUBLESHOOTING**

---

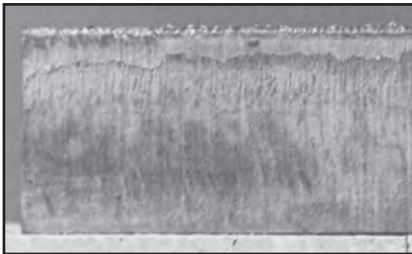
**Ideal Cut Profile**

**Characteristics:** A quality cut produces a smooth finish that requires little, if any, additional cleaning. The edges of the plate are clean, square and free of slag.

**Cutting Too Fast**

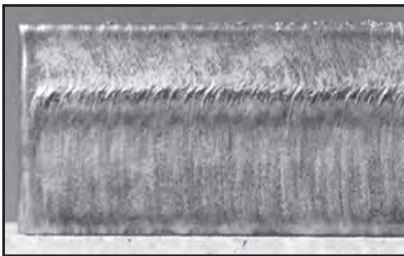
**Characteristics:** When the travel speed is too fast, the top edge of the plate will be relatively clean, and considerable slag will adhere to the bottom of the plate. Gouges can also occur, and pronounced draglines slant away from the direction of the cut.

**Root Cause:** Oxygen jet is trailing with insufficient oxygen reaching the bottom of the cut.

**Tip to Plate Distance Is Too High**

**Characteristics:** When the cutting tip is too far from the plate, the top edge will show signs of being blown away, this is similar to the effect of too much oxygen pressure, while the rest of the plate appears satisfactory.

**Root Cause:** Preheat is not focused on plate surface, oxygen jet is easily disturbed.

**Oxygen Flow High**

**Characteristics:** When the cutting oxygen pressure is too high, the excess pressure causes the oxygen stream to expand upon entering the plate. This causes the top edge of the plate to be uneven and "dished out". The plate face is relatively smooth and free of pits or gouges and slag is minimal. The sound of the cut is exceptionally loud.

**Root Cause:** Turbulence between the preheat flame and the cutting jet.

# SECTION 9: SPECIFICATIONS



**WARNING**

*At no time should the withdrawal rate of an individual acetylene cylinder exceed 1/7 of the cylinder contents per hour. If additional flow capacity is required, use an acetylene manifold system of sufficient size to supply the necessary volume.*



**WARNING**

*High gas withdrawal rates require use of a manifold system of sufficient size to supply the necessary volume. High gas withdrawal rates may also require use of a vaporizer.*



**CAUTION**

*Always make sure your equipment is rated for the size tip you have selected. A tip with too much capacity for the equipment can starve or choke the tip. This causes overheating of the head and a backfire may result. Use only genuine Victor®, Cutskill® or Firepower® cutting tips, welding nozzles and multi-flame nozzles to ensure leak-free connections and balanced equipment.*

**NOTE**

*Approximate gross BTU/ft<sup>3</sup> (MJ/m<sup>3</sup>):*

- Acetylene - 1470 (54.8)
- Butane - 3374 (125.7)
- Natural Gas - 1000 (37.3)
- Propane - 2458 (91.6)
- Methane - 1000 (37.4)
- Propylene - 2371 (88.3)

**WELDING NOZZLE FLOW DATA**

Metal Thickness in (mm)	Tip Size	Drill Size	Oxygen Pressure PSIG (kPa)		Acetylene Pressure PSIG (kPa)		Acetylene Consumption SCFH (LPM)	
			Min	Max	Min	Max	Min	Max
Up to 1/32 (0.8)	000	75 (.022)	3 (20.7)	5 (34.5)	3 (20.7)	5 (34.5)	1 (0.5)	2 (0.9)
1/16 - 3/64 (1.6 - 1.2)	00	70 (.028)	3 (20.7)	5 (34.5)	3 (20.7)	5 (34.5)	1 1/2 (0.7)	3 (1.4)
1/32 - 5/64 (0.8 - 2.0)	0	65 (.035)	3 (20.7)	5 (34.5)	3 (20.7)	5 (34.5)	2 (0.9)	4 (1.9)
3/64 - 3/32 (1.2 - 2.4)	1	60 (.040)	3 (20.7)	5 (34.5)	3 (20.7)	5 (34.5)	3 (1.4)	6 (2.8)
1/16 - 1/8 (1.6 - 3.2)	2	56 (.046)	3 (20.7)	5 (34.5)	3 (20.7)	5 (34.5)	5 (2.36)	10 (4.7)
1/8 - 3/16 (3.2 - 4.8)	3	53 (.060)	4 (27.6)	7 (48.3)	3 (20.7)	6 (41.4)	8 (3.8)	18 (8.5)
3/16 - 1/4 (4.8 - 6.4)	4	49 (.073)	5 (34.5)	10 (69.0)	4 (27.6)	7 (48.3)	10 (4.7)	25 (11.8)
1/4 - 1/2 (6.4 - 12.7)	5	43 (.089)	6 (41.4)	12 (82.7)	5 (34.5)	8 (55.2)	15 (7.1)	35 (16.5)
1/2 - 3/4 (12.7 - 19.0)	6	36 (.106)	7 (48.3)	14 (96.5)	6 (41.4)	9 (62.0)	25 (11.8)	45 (21.2)
3/4 - 1 1/4 (19.0 - 31.7)	7	30 (.128)	8 (55.2)	16 (110.3)	8 (55.2)	10 (69.0)	30 (14.2)	60 (28.3)
1 1/4 - 2 (31.7 - 50.8)	8	29 (.136)	10 (69.0)	19 (131.0)	9 (62.0)	12 (82.7)	35 (16.5)	75 (35.4)
2 1/2 - 3 (63.5 - 76.2)	10	27 (.144)	12 (82.7)	24 (165.5)	12 (82.7)	15 (103.4)	50 (23.6)	100 (47.2)
3 1/2 - 4 (88.9 - 101.6)	12*	25 (.149)	18 (124.1)	28 (193.1)	12 (82.7)	15 (103.4)	80 (37.8)	160 (175.5)

\* Use model HD310C torch and 3/8" (9.5mm) hose.



# SET-UP AND SAFE OPERATING PROCEDURES

## MFA HEATING NOZZLES

Tip Size	Acetylene Pressure Range PSIG (kPa)	Oxygen Pressure Range PSIG (kPa)	Acetylene ft <sup>3</sup> /hr (m <sup>3</sup> /hr)		Oxygen ft <sup>3</sup> /hr (m <sup>3</sup> /hr)		BTU/hr (J/hr)
			Min	Max	Min	Max	
4	6 - 10 (41 - 69)	8 - 12 (55 - 83)	6 (0.2)	20 (0.6)	7 (0.2)	22 (0.6)	See Note, page 42
6	8 - 12 (55 - 83)	10 - 15 (69 - 103)	14 (0.4)	40 (1.1)	15 (0.4)	44 (1.3)	
8	10 - 15 (69 - 103)	20 - 30 (138 - 207)	30 (0.9)	80 (2.3)	33 (0.9)	88 (2.5)	
10	12 - 15 (83 - 103)	30 - 40 (207 - 276)	40 (1.1)	100 (2.8)	44 (1.3)	110 (3.1)	
12*	12 - 15 (83 - 103)	50 - 60 (345 - 414)	60 (1.7)	150 (4.3)	66 (1.9)	165 (4.7)	
15*	12 - 15 (83 - 103)	50 - 60 (345 - 414)	90 (2.6)	220 (6.2)	99 (2.8)	244 (6.9)	

\* Use model HD310C torch and 3/8" (9.5mm) hose.

## TYPE 55 NOZZLES - Not For Use With Acetylene

Tip Size	Oxygen Pressure PSIG (kPa)	Fuel Gas Pressure PSIG (kPa)	Consumption SCFH (LPM)		BTU/hr (J/hr)
			Oxygen	Fuel Gas	
10*	70 - 100 (480 - 689)	15 - 25 (103 - 172)	350 - 460 (135 - 217)	150 - 200 (71 - 94)	See Note, page 42
15*	90 - 120 (620 - 827)	20 - 35 (138 - 240)	600 - 800 (283 - 378)	250 - 350 (118 - 165)	
20*	100 - 150 (690 - 1034)	30 - 50 (207 - 344)	900 - 1150 (425 - 523)	400 - 500 (189 - 283)	

\* Use model HD310C torch and 3/8" (9.5mm) hose.

## MFN HEATING NOZZLES

Tip Size	Propane Pressure Range PSIG (kPa)	Oxygen Pressure Range PSIG (kPa)	Propane ft <sup>3</sup> /hr (m <sup>3</sup> /hr)		Oxygen ft <sup>3</sup> /hr (m <sup>3</sup> /hr)		BTU/hr (J/hr)
			Min	Max	Min	Max	
8	10 - 15 (69 - 103)	10 - 20 (69 - 138)	10 (0.3)	35 (1.0)	40 (1.1)	140 (4.0)	See Note, page 42
10	12 - 20 (83 - 138)	10 - 30 (69 - 207)	20 (0.6)	80 (2.3)	80 (2.3)	320 (9.1)	
12*	15 - 25 (103 - 172)	30 - 125 (207 - 862)	30 (0.9)	160 (4.5)	120 (3.4)	640 (18.1)	
15*	15 - 25 (103 - 172)	30 - 125 (207 - 862)	50 (1.4)	200 (5.7)	200 (5.7)	800 (22.7)	
20*	20 - 30 (138 - 207)	40 - 135 (276 - 931)	75 (2.1)	250 (7.1)	300 (8.5)	1000 (28.3)	

\* Use model HD310C torch and 3/8" (9.5mm) hose.

## CUTTING TIP PREHEAT AND CUTTING ORIFICE DRILL SIZE

Tip Size Orifice Size*	Cutting Oxygen Size	Pre-heat Sizes for the Various Types of Tips								
		1-100 3-100	1-104	3-110 5-110	1-111	1-129	3-200 5-200	1-117	1-118 3-118	1-208
000	71									
00	67			65						
0	60	71		60	64		67		71	
1	56	67		56			64			
2	53	60		54	56	57	62		63	
3	50			53			60			
4	45				53	55	56		56	57
5	39						55			
6	31						54		57	57
7	28									
8	20		55					63	57	56
10	13		55						57	55
12	2								56	

\* Same for all types except scarfing, gouging, deseaming and high speed.

# CUTTING, HEATING AND WELDING GUIDE

## TYPES 1-101, 3-101 (OXY-ACETYLENE)

Metal Thickness in (mm)	Tip Size	Cutting Oxygen		Pre-heat Oxygen* PSIG (kPa)	Acetylene			Kerf Width in (mm)
		Pressure*** PSIG (kPa)	Flow*** SCFH (LPM)		Pressure PSIG (kPa)	Flow SCFH (LPM)	Speed IPM (MPM)	
1/8 (3)	000	20 - 25 (138 - 172)	20 - 25 (9.4 - 11.8)	3 - 5 (21 - 34)	3 - 5 (21 - 34)	6 - 11 (0.17 - 0.31)	20 - 30 (0.51 - 0.76)	0.04 (1.02)
1/4 (6)	00	20 - 25 (138 - 172)	30 - 35 (14.2 - 16.5)	3 - 5 (21 - 34)	3 - 5 (21 - 34)	6 - 11 (0.17 - 0.31)	20 - 28 (0.51 - 0.71)	0.05 (1.27)
3/8 (9)	0	25 - 30 (172 - 207)	55 - 60 (26.0 - 28.3)	3 - 5 (21 - 34)	3 - 5 (21 - 34)	6 - 11 (0.17 - 0.31)	18 - 26 (0.41 - 0.66)	0.06 (1.52)
1/2 (13)	0	30 - 35 (207 - 241)	60 - 65 (28.3 - 30.7)	3 - 6 (21 - 41)	3 - 5 (21 - 34)	9 - 16 (0.25 - 0.45)	16 - 22 (0.41 - 0.56)	0.06 (1.52)
3/4 (20)	1	30 - 35 (207 - 241)	80 - 85 (37.8 - 40.1)	4 - 7 (28 - 48)	3 - 5 (21 - 34)	8 - 13 (0.23 - 0.37)	15 - 20 (0.38 - 0.51)	0.07 (1.78)
1 (25)	2	35 - 40 (241 - 276)	140 - 160 (66.1 - 75.5)	4 - 8 (28 - 55)	3 - 6 (21 - 41)	10 - 18 (0.28 - 0.51)	13 - 18 (0.33 - 0.41)	0.09 (2.29)
2 (50)	3	40 - 45 (276 - 310)	210 - 240 (99.1 - 113.3)	5 - 10 (34 - 69)	4 - 8 (28 - 55)	14 - 24 (0.40 - 0.68)	10 - 12 (0.25 - 0.30)	0.11 (2.79)
3 (75)	4	40 - 50 (276 - 344)	280 - 320 (132.1 - 151.0)	5 - 10 (34 - 69)	5 - 11 (34 - 76)	18 - 28 (0.51 - 0.79)	10 - 12 (0.25 - 0.30)	0.12 (3.05)
4 (100)	5	45 - 55 (310 - 379)	390 - 450 (184.0 - 212.3)	6 - 12 (41 - 83)	6 - 13 (41 - 90)	22 - 30 (0.62 - 0.85)	6 - 9 (0.15 - 0.23)	0.15 (3.81)
6 (150)	6**	45 - 55 (310 - 379)	500 - 600 (236.0 - 283.2)	6 - 15 (41 - 103)	8 - 14 (55 - 97)	25 - 35 (0.71 - 0.99)	4 - 7 (0.10 - 0.18)	0.15 (3.81)
10 (250)	7**	45 - 55 (310 - 379)	700 - 850 (330.4 - 401.2)	6 - 20 (41 - 138)	10 - 15 (69 - 103)	25 - 35 (0.71 - 0.99)	3 - 5 (0.08 - 0.13)	0.34 (8.64)
12 (300)	8**	45 - 55 (310 - 379)	900 - 1050 (424.8 - 495.5)	7 - 25 (48 - 172)	10 - 15 (69 - 103)	25 - 35 (0.71 - 0.99)	3 - 4 (0.08 - 0.10)	0.41 (10.41)

\* Applicable for 3-hose machine cutting torches only. With a two hose cutting torch, preheat pressure is set by the cutting oxygen.

\*\* For best results use HC1200C series torches and 3/8" (9.5mm) hose using a size 6 tip or larger.

\*\*\* All pressures are measured at the regulator using 25' x 1/4" (7.6m x 6.3mm) hose through tip size 5, and 25' x 3/8" (7.6m x 9.5mm) hose for tip size 6 and larger.

# SET-UP AND SAFE OPERATING PROCEDURES

## TYPES 303MP, GPN, GPP

Metal Thickness in (mm)	Tip Size	Cutting Oxygen		Pre-Heat Oxygen PSIG (kPa)	Pre-Heat Fuel Gas		Speed IPM (MPM)	Kerf Width in (mm)
		Pressure*** PSIG (kPa)	Flow SCFH (LPM)		Pressure PSIG (kPa)	Flow SCFH (LPM)		
1/8 (3)	000	20 - 25 (138 - 172)	12 - 14 (5.7 - 6.6)	See Note Below	3 - 5 (21 - 34)	5 - 6 (2.4 - 2.8)	20 - 30 (0.51 - 0.76)	0.04 (1.02)
1/4 (6)	00	20 - 25 (138 - 172)	22 - 26 (10.4 - 12.3)		3 - 5 (21 - 34)	5 - 7 (2.4 - 3.3)	20 - 28 (0.51 - 0.71)	0.05 (1.27)
3/8 (9)	0	25 - 30 (172 - 207)	45 - 55 (21.2 - 26.0)		3 - 5 (21 - 34)	8 - 10 (3.8 - 4.7)	18 - 26 (0.46 - 0.66)	0.06 (1.52)
1/2 (13)	0	30 - 35 (207 - 241)	50 - 55 (23.6 - 26.0)		3 - 5 (21 - 34)	8 - 10 (3.8 - 4.7)	16 - 22 (0.41 - 0.56)	0.06 (1.52)
3/4 (20)	1	30 - 35 (207 - 241)	70 - 80 (33.0 - 37.8)		4 - 6 (28 - 41)	10 - 12 (4.7 - 5.7)	15 - 20 (0.38 - 0.51)	0.08 (2.03)
1 (25)	2	35 - 40 (241 - 276)	115 - 125 (54.3 - 59.0)		4 - 8 (28 - 55)	12 - 15 (5.7 - 7.1)	13 - 20 (0.33 - 0.51)	0.09 (2.29)
1 1/2 (38)	2	40 - 45 (276 - 310)	125 - 135 (59.0 - 63.7)		4 - 8 (28 - 55)	12 - 15 (5.7 - 7.1)	13 - 18 (0.33 - 0.51)	0.09 (2.29)
2 (50)	3	40 - 45 (276 - 310)	150 - 175 (70.8 - 82.6)		5 - 9 (34 - 62)	14 - 18 (6.6 - 8.5)	11 - 13 (0.28 - 0.33)	0.10 (2.54)
2 1/2 (63)	3	45 - 50 (310 - 344)	175 - 200 (82.6 - 94.4)		5 - 9 (34 - 62)	14 - 18 (6.6 - 8.5)	10 - 12 (0.25 - 0.30)	0.10 (2.54)
3 (75)	4	40 - 50 (276 - 344)	210 - 250 (99.1 - 118.0)		6 - 10 (41 - 69)	16 - 20 (7.6 - 9.4)	8 - 10 (0.20 - 0.25)	0.12 (3.05)
4 (100)	5	45 - 55 (310 - 379)	300 - 360 (141.6 - 169.9)		8 - 12 (55 - 83)	20 - 30 (9.4 - 14.2)	6 - 9 (0.15 - 0.23)	0.14 (3.56)
5 (127)	5	50 - 55 (344 - 379)	330 - 360 (155.7 - 169.9)		8 - 12 (55 - 83)	20 - 30 (9.4 - 14.2)	4 - 7 (0.10 - 0.18)	0.14 (3.56)
6 (150)	6	45 - 55 (310 - 379)	400 - 500 (118.8 - 236.0)		10 - 15 (69 - 103)	25 - 35 (17.8 - 16.5)	3 - 5 (0.08 - 0.13)	0.17 (4.32)
8 (203)	6	55 - 65 (379 - 448)	450 - 500 (212.4 - 236.0)		10 - 15 (69 - 103)	25 - 35 (17.8 - 16.5)	3 - 4 (0.08 - 0.10)	0.18 (4.57)
12 (300)	8**	60 - 70 (414 - 483)	750 - 850 (354.0 - 401.2)		10 - 14 (69 - 97)	25 - 120 (17.8 - 56.6)	3 - 4 (0.08 - 0.10)	0.41 (10.41)

### NOTE

*The above data applies to all torches with the following exceptions:*

Torch Series	Pre-heat Oxygen	Pre-heat Fuel
MT 200 Series	N/A	8 OZ.(0.24L) - Up
MT 300 Series	10 - 50 PSIG (69 - 345 kPa)	8 OZ.(0.24L) - Up

\* Applicable for 3-hose machine cutting torches only. With a two hose cutting torch, preheat pressure is set by the cutting oxygen.

\*\* For best results use HC1200C and HC1100C series torches and 3/8" (9.5mm) hose when using a size 6 tip or larger.

\*\*\* All pressures are measured at the regulator using 25' x 3/8" (7.6m x 9.5mm) hose for tip size 6 and larger.

# CUTTING, HEATING AND WELDING GUIDE

## TYPES MHTN, P

Metal Thickness in (mm)	Tip Size	Cutting Oxygen		Pre-Heat Oxygen		Pre-Heat Fuel Gas		Speed IPM (MPM)	Kerf Width in (mm)
		Pressure* PSIG (kPa)	Flow SCFH (LPM)	Pressure PSIG (kPa)	Flow SCFH (LPM)	Pressure PSIG (kPa)	Flow SCFH (LPM)		
1/4 (6.3)	00	85 - 95 (586 - 655)	68 - 75 (32.1 - 35.4)	See Note, below	23 - 140 (10.8 - 66.1)	See Note, Below	12 - 65 (5.7 - 30.7)	23 - 30 (0.58 - 0.76)	0.05 (1.27)
3/8 (9.5)	00	85 - 95 (586 - 655)	68 - 75 (32.1 - 35.4)		23 - 140 (10.8 - 66.1)		12 - 65 (5.7 - 30.7)	22 - 29 (0.56 - 0.74)	0.05 (1.27)
1/2 (12.7)	0	85 - 95 (586 - 655)	110 - 120 (51.2 - 56.6)		23 - 140 (10.8 - 66.1)		12 - 65 (5.7 - 30.7)	20 - 28 (0.51 - 0.71)	0.06 (1.52)
3/4 (19.0)	0	85 - 95 (586 - 655)	110 - 120 (51.2 - 56.6)		23 - 140 (10.8 - 66.1)		12 - 65 (5.7 - 30.7)	18 - 26 (0.46 - 0.66)	0.06 (1.52)
1 (25.4)	1	85 - 95 (586 - 655)	145 - 160 (68.4 - 75.5)		23 - 140 (10.8 - 66.1)		12 - 65 (5.7 - 30.7)	17 - 24 (0.43 - 0.61)	0.07 (1.78)
1 1/4 (31.7)	1	85 - 95 (586 - 655)	145 - 160 (68.4 - 75.5)		23 - 140 (10.8 - 66.1)		12 - 65 (5.7 - 30.7)	16 - 20 (0.41 - 0.51)	0.07 (1.78)
1 1/2 (38.1)	1	85 - 95 (586 - 655)	145 - 160 (68.4 - 75.5)		23 - 140 (10.8 - 66.1)		12 - 65 (5.7 - 30.7)	12 - 16 (0.30 - 0.41)	0.07 (1.78)
2 (50.8)	2	85 - 95 (586 - 655)	230 - 250 (108.5 - 118.0)		23 - 140 (10.8 - 66.1)		12 - 65 (5.7 - 30.7)	11 - 15 (0.28 - 0.38)	0.09 (2.29)
2 1/2 (63.5)	2	85 - 95 (586 - 655)	230 - 250 (108.5 - 118.0)		23 - 140 (10.8 - 66.1)		12 - 65 (5.7 - 30.7)	10 - 13 (0.25 - 0.33)	0.09 (2.29)
3 (76.2)	2	85 - 95 (586 - 655)	230 - 250 (108.5 - 118.0)		23 - 140 (10.8 - 66.1)		12 - 65 (5.7 - 30.7)	9 - 11 (0.23 - 0.28)	0.09 (2.29)
4 (101.6)	3	85 - 95 (586 - 655)	285 - 320 (134.5 - 151.0)		23 - 140 (10.8 - 66.1)		12 - 65 (5.7 - 30.7)	7 - 10 (0.18 - 0.25)	0.11 (2.79)
5 (127.0)	3	85 - 95 (586 - 655)	285 - 320 (134.5 - 151.0)		23 - 140 (10.8 - 66.1)		12 - 65 (5.7 - 30.7)	6 - 8 (0.15 - 0.20)	0.11 (2.79)
6 (152.4)	3	85 - 95 (586 - 655)	285 - 320 (134.5 - 151.0)		23 - 140 (10.8 - 66.1)		12 - 65 (5.7 - 30.7)	5 - 7 (0.13 - 0.18)	0.11 (2.79)
7 (177.8)	4	85 - 95 (586 - 655)	390 - 450 (184.1 - 212.4)		23 - 140 (10.8 - 66.1)		12 - 65 (5.7 - 30.7)	5 - 6 (0.13 - 0.15)	0.14 (3.56)
8 (203.2)	4	85 - 95 (586 - 655)	390 - 450 (184.1 - 212.4)		23 - 140 (10.8 - 66.1)		12 - 65 (5.7 - 30.7)	4 - 6 (0.10 - 0.15)	0.14 (3.56)
9 (228.6)	5	85 - 95 (586 - 655)	670 - 720 (316.2 - 339.8)		23 - 140 (10.8 - 66.1)		12 - 65 (5.7 - 30.7)	4 - 5 (0.10 - 0.13)	0.18 (4.57)
10 (254.0)	5	85 - 95 (586 - 655)	670 - 720 (316.2 - 339.8)	23 - 140 (10.8 - 66.1)	12 - 65 (5.7 - 30.7)	3 - 5 (0.07 - 0.13)	0.18 (4.57)		

### NOTE

*The above data applies to all torches with the following exceptions:*

Torch Series	Pre-heat Oxygen	Pre-heat Fuel
MT 300N Series	10 - 50 PSIG (69 - 345 kPa)	8 OZ. (0.24L) - Up

\* All Pressures are measured at the torch inlet on MTH Series tips.

# SET-UP AND SAFE OPERATING PROCEDURES

## TYPES HPN, P

Metal Thickness in (mm)	Tip Size	Cutting Oxygen		Pre-Heat Oxygen		Pre-Heat Fuel Gas		Speed IPM (MPM)	Kerf Width in (mm)
		Pressure* PSIG (kPa)	Flow SCFH (LPM)	Pressure PSIG (kPa)	Flow SCFH (LPM)	Pressure PSIG (kPa)	Flow SCFH (LPM)		
3/4 (19.1)	1	30 - 35 (207 - 241)	70 - 80 (33.0 - 37.8)	See Note, Below	44 - 240 (303 - 1655)	3 - 6 (21 - 41)	22 - 110 (10.4 - 51.9)	15 - 20 (0.38 - 0.52)	0.08 (2.03)
1 (25.4)	2	35 - 40 (241 - 276)	115 - 125 (54.3 - 59.0)		44 - 240 (303 - 1655)	3 - 6 (21 - 41)	22 - 110 (10.4 - 51.9)	14 - 18 (0.36 - 0.46)	0.09 (2.29)
1 1/2 (38.1)	2	40 - 45 (276 - 310)	125 - 135 (59.0 - 63.7)		44 - 240 (303 - 1655)	4 - 8 (28 - 55)	22 - 110 (10.4 - 51.9)	12 - 16 (0.30 - 0.41)	0.09 (2.29)
2 (50.8)	3	40 - 45 (276 - 310)	150 - 175 (70.8 - 82.6)		44 - 240 (303 - 1655)	4 - 8 (28 - 55)	22 - 110 (10.4 - 51.9)	10 - 14 (0.25 - 0.36)	0.10 (2.54)
2 1/2 (63.5)	3	45 - 50 (310 - 345)	175 - 200 (82.6 - 94.4)		44 - 240 (303 - 1655)	5 - 9 (35 - 62)	22 - 110 (10.4 - 51.9)	9 - 12 (0.23 - 0.30)	0.10 (2.54)
3 (76.2)	4	40 - 50 (276 - 345)	210 - 250 (99.1 - 118.0)		44 - 240 (303 - 1655)	6 - 9 (41 - 62)	22 - 110 (10.4 - 51.9)	8 - 11 (0.20 - 0.28)	0.12 (3.05)
4 (101.6)	5	45 - 55 (310 - 379)	300 - 360 (141.6 - 169.9)		44 - 240 (303 - 1655)	6 - 9 (41 - 62)	22 - 110 (10.4 - 51.9)	7 - 10 (0.18 - 0.25)	0.14 (3.56)
5 (127.0)	5	50 - 55 (345 - 379)	330 - 360 (155.7 - 169.9)		44 - 240 (303 - 1655)	6 - 10 (41 - 69)	22 - 110 (10.4 - 51.9)	6 - 9 (0.15 - 0.23)	0.14 (3.56)
6 (152.4)	6**	45 - 55 (310 - 379)	400 - 500 (188.8 - 236.0)		44 - 240 (303 - 1655)	6 - 10 (41 - 69)	22 - 110 (10.4 - 51.9)	5 - 7 (0.13 - 0.18)	0.17 (4.32)
8 (203.2)	6**	55 - 65 (379 - 448)	450 - 500 (212.3 - 236.0)		44 - 240 (303 - 1655)	8 - 12 (55 - 83)	22 - 110 (10.4 - 51.9)	4 - 6 (0.10 - 0.15)	0.18 (4.57)
12 (304.8)	8**	60 - 70 (414 - 483)	750 - 850 (354.0 - 401.2)		50 - 265 (345 - 1827)	10 - 14 (69 - 97)	25 - 120 (11.8 - 56.6)	3 - 4 (0.08 - 0.10)	0.41 (10.41)
15 (381.0)	10**	45 - 55 (310 - 379)	1000 - 1200 (471.9 - 566.3)		50 - 265 (345 - 1827)	10 - 16 (69 - 110)	25 - 120 (11.8 - 56.6)	2 - 4 (0.05 - 0.10)	—
18 (457.2)	12**	45 - 55 (310 - 379)	1150 - 1350 (542.7 - 637.1)		60 - 290 (414 - 1999)	—	30 - 130 (14.2 - 61.3)	2 - 3 (0.05 - 0.08)	—

### NOTE

The above data applies to all torches with the following exceptions:

Torch Series	Pre-heat Oxygen	Pre-heat Fuel
MT 200 Series	N/A	8 OZ. (0.24L) - Up
MT 300 Series	10 - 50 PSIG (69 - 345 kPa)	8 OZ. (0.24L) - Up

\* Applicable for 3-hose machine cutting torches only. With a two hose cutting torch, preheat pressure is set by the cutting oxygen.

\*\* For best results use HC1200C and HC1100C series torches and 3/8" (9.5mm) hose when using a size 6 tip or larger.

\*\*\* All pressures are measured at the regulator using 25' x 1/4" (7.6m x 6.3mm) hose through tip size 5, and 25' x 3/8" (7.6m x 9.5mm) hose for tip size 6 and larger.

# SECTION 10: GLOSSARY

---

This section explains the meaning of terms most commonly used by welders in the industry. Technical engineering terms have been simplified.

### A

**ACETYLENE** - Gas composed of two parts of carbon and two parts of hydrogen. When burned in the atmosphere of oxygen, it produces one of the highest flame temperatures obtainable.

**ACETYLENE CYLINDER** - (See Figure 2).

**ACETYLENE REGULATOR** - A device used to reduce cylinder pressure to torch pressure and to keep the pressure constant (see Figure 3). They are NEVER to be used as oxygen regulators.

**ALLOY** - Metallurgy mixture of metals: a substance that is a mixture of two or more metals, or of a metal with a nonmetallic material.

**ANNEALING** - Softening metals by heat treating. This most commonly consists of heating the metals up to a critical temperature and then cooling them slowly.

**ANSI** - Abbreviation for "American National Standards Institute".

**AWS** - Abbreviation for "American Welding Society".

**AXIS OF WELD** - (See WELD AXIS)

### B

**BACKHAND WELDING** - A welding technique in which the welding torch is directed opposite to the progress of welding.

**BEAD** - A type of weld composed of one or more string or weave beads deposited on an unbroken surface.

**BEVEL** - An angular edge preparation. For successful welding, the edges of the parts to be joined with a butt joint often require a beveled edge to allow adequate deposition and penetration of the weld. While the strength requirements of the joint dictate the actual joint design required, butt welding of material 3/8" (9.5mm) or thicker often requires some sort of edge preparation before welding.

**BLOWPIPE** - Another term used for torch. (See TORCH)

**BOND** - To join (metals) by applying heat, sometimes with pressure and sometimes with an intermediate or filler metal having a high melting point.

**BRAZE WELDING** - A welding process variation in which a filler metal, having a liquidus above 840°F (450°C) and below the solidus of the base metal, is used. Unlike brazing, in braze welding the filler metal is not distributed in the joint by capillary action.

**BRAZING** - A group of welding processes that produces coalescence of materials by heating them to the brazing temperature in the presence of a filler metal having a liquidus above 840°F (450°C) and below the solidus of the base metal. The filler metal is distributed between the closely fitted surfaces of the joint by capillary action.

**BUILDUP** - A surfacing variation in which surfacing metal is deposited to achieve the required dimensions.

**BURNED METAL** - Term occasionally applied to the metal which has been combined with oxygen so that some of the carbon changed into carbon dioxide and some of the iron into iron oxide.

**BURNING** - A nonstandard term for OXYGEN CUTTING.

## SET-UP AND SAFE OPERATING PROCEDURES

**BUTT JOINT** - A joint consisting of two parts of material that are placed squarely together rather than overlapping or interlocking.

### C

**CAPILLARY ACTION** - A phenomenon in which a liquid's surface rises, falls, or becomes distorted in shape where it is in contact with a solid. It is caused by the difference between the relative attraction of the molecules of the liquid for each other and for those of the solid.

**CARBON** - An element which, when combined with iron, forms various kinds of steel. In steel, it is the changing carbon content which changes the physical properties of the steel. Carbon is also used in a solid form as an electrode for arc welding and as a mold to hold metal.

**CARBONIZING FLAME** - An oxy-acetylene flame in which there is an excess of acetylene. Also a nonstandard term for REDUCING FLAME.

**CARBURIZING FLAME** - A nonstandard term for REDUCING FLAME.

**CASE HARDENING** - Adding of carbon to the surface of a mild steel object and heat treating to produce a hard surface.

**CASTINGS** - Metallic forms that are produced by pouring molten metal into a shaped container (mold).

**CGA** - Abbreviation for "Compressed Gas Association".

**CONCAVE FILLET WELD** - A weld that has a concave face (may result in cracking).

**CONE** - The conical part of an oxy-fuel flame next to the orifice of the tip.

**CONTINUOUS WELD** - A weld that extends continuously from one end of the joint to the other. Where the joint is essentially circular, it extends completely around the joint.

**CONVEX FILLET WELD** - A fillet weld having a convex face (a good weld with no undercutting).

**CORNER JOINT** - A joint between two members located approximately at right angles to each other to form an "L".

**CRACKING** - Action of opening a valve slightly and then closing the valve immediately.

**CROWN** - Curve or convex surface of finished weld face.

**CUTTING TORCH** - A device used in gas cutting for controlling the gases used for preheating and the oxygen used for cutting the material.

**CYLINDER** - (See GAS CYLINDER)

### D

**DOT** - Abbreviation for "Department of Transportation".

### E

**EDGE JOINT** - A joint between the edges of two or more parallel or nearly parallel members.

**EDGE™ SERIES** - A new and innovative product line by Victor® Equipment.

**ELONGATION** - Percentage increase in the length of a specimen when stressed to its yield strength.

**EROSION** - A condition caused by dissolution of the base metal by molten filler metal resulting in a reduction in the thickness of the base metal.

### F

**FACE OF WELD** - (See WELD FACE)

**FILLER WIRE** - A nonstandard term for WELDING WIRE.

**FILLET** - Weld metal in the internal vertex, or corner, of the angle formed by two pieces of metal, giving the joint additional strength to withstand unusual stress.

## **CUTTING, HEATING AND WELDING GUIDE**

---

**FILLET WELD** - A weld of approximately triangular cross section joining two surfaces approximately at right angles to each other in a lap joint, T-joint or corner joint.

**FILTER LENS** - A colored glass used in goggles, helmets, and shields to exclude harmful light rays.

**FLAT POSITION** - The welding position used to weld from the upper side of the joint; the face of the weld is approximately horizontal.

**FLUX** - A cleaning agent used to dissolve oxides, release trapped gases and slag, and to cleanse metals for welding, soldering, and brazing.

**FORGING** - Metallic shapes being derived by either hammering or squeezing the original piece of metal into the desired shapes or thicknesses.

**FOREHAND WELDING** - A welding technique in which the flame is directed toward the progress of welding.

**FUSION** - A thorough and complete mixing between the two edges of the base metal to be joined or between the base metal and the filler metal added during welding.

### **G**

**GAS CYLINDER** - A portable container used for transportation and storage of a compressed gas.

**GAS POCKETS** - Cavities in weld metal caused by entrapping gas (porosity).

**GOUGING** - Material removal. The removal of a bevel or groove.

### **H**

**HEAT-AFFECTED ZONE** - That portion of the base metal that has not been melted, but whose mechanical properties of microstructure has been altered by the heat of welding, cutting, or heating.

**HEAT CONDUCTIVITY** - Speed and efficiency of heat energy movement through a substance.

**HORIZONTAL POSITION** - The position in which welding is performed on the upper side and approximately horizontal surface and against an approximately vertical surface.

**HOSE** - Flexible medium used to carry gases from the regulator to the torch. Constructed of continuous layers of rubber or neoprene material over a braided inner section.

**HYDROGEN** - A gas formed of the single element hydrogen. It is considered one of the most active gases. When combined with oxygen, it forms a very clean flame.

### **I**

**INSIDE CORNER WELD** - Two metals fused together; one metal is held 90° to the other. The fusion is performed inside the vertex of the angle.

**INTERMITTENT WELD** - A weld which the continuity is broken by recurring unweaved spaces.

### **J**

**JOINT** - The junction of members, or the edges of members, which are to be joined or have been joined.

**JOINT PENETRATION** - The depth a weld extends from its face into a joint, exclusive of reinforcement.

### **L**

**LAP JOINT** - A joint between two overlapping members in parallel planes.

**LAYER** - A certain weld metal thickness made of one or more passes.

**LENS** - (See FILTER LENS)



## SET-UP AND SAFE OPERATING PROCEDURES

---

### K

**KINDLING TEMPERATURE** - The temperature at which a substance will catch on fire and continue to burn, also referred to as the “ignition point”.

### M

**MIXING CHAMBER** - That part of the welding torch or cutting torch in which the fuel gas and oxygen are mixed.

### N

**NEUTRAL FLAME** - An oxy-fuel gas flame in which the portion used is neither oxidizing nor reducing.

**NFPA** - Abbreviation for “National Fire Protection Association”.

**NOZZLE** - Usually an assembly consisting of a welding elbow, a gas mixer, and a coupling nut.

### O

**ORIFICE** - Opening through which gas flows. It is usually the final opening controlled by a valve.

**OSHA** - Abbreviation for “Occupational Safety and Health Administration”.

**OUTSIDE CORNER WELD** - Fusing two pieces of metal together with the fusion taking place on the underpart of the seam.

**OVERHEAD POSITION** - The position in which welding is performed from the underside of the joint.

**OVERLAP** - The protrusion of weld metal beyond the weld toe or weld root.

**OXIDIZING** - Combining oxygen with any other substance. For example, a metal is oxidized when the metal is burned, i.e., oxygen is combined with all the metal or parts of it.

**OXIDIZING FLAME** - An oxy-fuel gas flame having an oxidizing effect due to excess oxygen.

**OXY-ACETYLENE CUTTING** - An oxy-fuel gas cutting process used to burn metals by means of the reaction oxygen with the base metal at elevated temperatures. The necessary temperature is maintained by gas flames resulting from the combustion of acetylene with oxygen.

**OXY-ACETYLENE WELDING** - An oxy-fuel gas welding process that produces fused metals by heating them with a gas flame or flames obtained from the combustion of acetylene with oxygen. The process may be used with or without the application of pressure and with or without the use of a filler metal.

**OXYGEN** - A gas formed of the element oxygen. When oxygen very actively supports combustion it is called burning; When oxygen is slowly combined with a substance it is called oxidation.

**OXYGEN CUTTING** - A Process of cutting ferrous metals by means of the chemical action of oxygen on elements in the base metal at elevated temperatures.

**OXYGEN CYLINDER** - (See GAS CYLINDER)

**OXYGEN HYDROGEN FLAME** - The chemical combining of oxygen with the fuel gas hydrogen.

**OXYGEN HOSE** - (See HOSE)

**OXYGEN L.P. GAS FLAME** - Chemical combining of oxygen with the fuel gas L.P. (liquefied petroleum).

**OXYGEN REGULATOR** - A device used to reduce cylinder pressure to torch pressure and to keep the pressure constant. They are never to be used as fuel gas regulators.

### P

**PASS** - (See WELD PASS)

**PENETRATION** - A nonstandard term for JOINT PENETRATION.

## **CUTTING, HEATING AND WELDING GUIDE**

---

**PWG WELD** - A weld in a circular hole in one member of a joint fusing that member to another member.

**POROSITY** - Cavity type discontinuities formed by gas entrapment during solidification.

**POSTHEATING** - The application of heat to an assembly after welding, cutting, or heating.

**PRECOATING** - Coating the base metal in the joint prior to soldering or brazing.

**PREHEATING** - The application of heat to the base metal immediately before welding or cutting.

**PUDDLE** - A nonstandard term for WELD POOL.

### **R**

**REDUCING FLAME** - A flame having a reducing effect due to excess fuel gas.

**REINFORCEMENT WELD** - (See WELD REINFORCEMENT)

**ROOT OF WELD** - (See WELD ROOT)

### **S**

**SLAG INCLUSION** - Non-metallic solid material entrapped in the weld metal or between weld metal and base metal.

**SOLDERING** - A group of welding processes, soldering uses metal to join two pieces of metal. However, the metal added during the process has a melting point lower than that of the work piece, so only the added metal is melted, not the work piece. Soldering uses metals with a melting point below 800°F (427°C). The filler metal is distributed between the closely fitted surfaces of the joint capillary action.

**STRAIN** - Reaction of an object to a stress.

**STRESS** - Load imposed on an object.

**STRESS RELIEVING** - Even heating of a structure to a temperature below the critical temperature followed by a slow, even cooling.

### **T**

**TACK WELD** - A weld made to hold the parts of a weldment in proper alignment until the final welds are made.

**T-JOINT** - Joint formed by placing one metal against another at an angle of 90°. The edge of one metal contacts the surface of the other metal.

**TENSILE STRENGTH** - Maximum pull strength which a specimen is capable of withstanding.

**THROAT OF A FILLET WELD** - Distance from the weld root to the weld face.

**TINNING** - A nonstandard term for PRECOATING.

**TIP** - The end of the torch where the gas burns and creates a high temperature flame, it regulates and directs the flame.

**TOE OF WELD** - (See WELD TOE)

**TORCH** - (See CUTTING TORCH or WELDING TORCH)

### **U**

**UNDERCUT** - A groove in the base metal adjacent to the weld toe or weld root and left unfilled by weld metal.

### **V**

**VERTICAL POSITION** - The position of welding in which the weld axis is approximately vertical.

### W

**WELD AXIS** - A line through the length of the weld, perpendicular to and at the geometric center of its cross section.

**WELD BEAD** - A weld deposit resulting from a pass.

**WELD FACE** - The exposed surface of the weld on the side from which welding was done.

**WELDING** - To join together pieces or parts of some material by heating, hammering, or using other pressure.

**WELDING ROD** - Filler metal in wire or rod form, used in gas welding and brazing processes and in those arc welding processes in which the electrode does not provide the filler metal.

**WELDING SEQUENCE** - The order of making welds in a weldment.

**WELDING TORCH** - A device used in gas cutting for controlling the gases used for preheating and the oxygen used for cutting the metal.

**WELDING WIRE** - Metal wire that is melted and added to the welding puddle to produce the necessary increase in bead thickness.

**WELDMENT** - Assembly of component parts joined together by welding.

**WELD METAL** - Fused portion of base metal or fused portion of base metal and filler metal.

**WELD PASS** - A single progression of welding or surfacing along a joint or substrate. The result of a pass is a weld bead or layer.

**WELD POOL** - The localized volume of molten metal as a weld prior to its solidification as weld metal.

**WELD REINFORCEMENT** - Weld metal in excess of the quantity required to fill a joint.

**WELD ROOT** - The points, as shown in cross section, at which the back of the weld intersects the base metal.

**WELD TOE** - The junction of the weld face and the base metal.

### Y

**YIELD STRENGTH** - Stress at which a specimen assumes a permanent set.

### NOTE

---

*Other terms and definitions may be found in the AWS A3.085 or later edition titled "Standard Welding Terms and Definitions", Available from the AWS: Miami Florida, 33135, [www.aws.org](http://www.aws.org).*

**SECTION 11:  
STATEMENT OF WARRANTY**

---

**LIMITED WARRANTY:** THERMADYNE® warrants that its products will be free of defects in workmanship or material. Should any failure to conform to this warranty appear within the time period applicable to the THERMADYNE products as stated below, THERMADYNE shall, upon notification thereof and substantiation that the product has been stored, installed, operated, and maintained in accordance with THERMADYNE's specifications, instructions, recommendations and recognized standard industry practice, and not subject to misuse, repair, neglect, alteration, or accident, correct such defects by suitable repair or replacement, at THERMADYNE's sole option, of any components or parts of the product determined by THERMADYNE to be defective.

**THIS WARRANTY IS EXCLUSIVE AND IS IN LIEU OF ALL OTHER WARRANTIES, EXPRESS OR IMPLIED, INCLUDING ANY WARRANTY OF MERCHANTABILITY OR FITNESS FOR A PARTICULAR PURPOSE.**

**LIMITATION OF LIABILITY:** THERMADYNE shall not under any circumstances be liable for special or consequential damages, such as, but not limited to, damage or loss of purchased or replacement goods, or claims of customers of distributor (hereinafter the "Purchaser") for service interruption. The remedies of the Purchaser set forth herein are exclusive and the liability of THERMADYNE with respect to any contract, or anything done in connection therewith such as the performance or breach thereof, or from the manufacture, sale, delivery, resale, or use of any goods covered by or furnished by THERMADYNE whether arising out of contract, negligence, strict tort, or under any warranty, or otherwise, shall not, except as expressly provided herein, exceed the price of the goods upon which such liability is based.

**THIS WARRANTY BECOMES INVALID IF REPLACEMENT PARTS OR ACCESSORIES ARE USED WHICH MAY IMPAIR THE SAFETY OR PERFORMANCE OF ANY THERMADYNE PRODUCT.**

**THIS WARRANTY IS INVALID IF THE PRODUCT IS SOLD BY NON-AUTHORIZED PERSONS.**

This warranty is effective for the time stated in the Warranty Schedule beginning on the date that the authorized distributor delivers the products to the Purchaser.

Warranty repairs or replacement claims under this limited warranty must be submitted by an authorized THERMADYNE repair facility within thirty (30) days of the repair. No transportation costs of any kind will be paid under this warranty. Transportation charges to send products to an authorized warranty repair facility shall be the responsibility of the Purchaser. All returned goods shall be at the Purchaser's risk and expense. This warranty supersedes all previous THERMADYNE warranties.

**ÉQUIPEMENT  
OXYGAZ**

***VICTOR***®

# **Guide de soudage, découpe et chauffe**

**English  
Français  
Español**

**PROCÉDURES DE RÉGLAGE ET  
D'UTILISATION SÉCURITAIRE**



## **NOUS APPRÉCIONS VOTRE PATRONAGE!**

Félicitations pour votre achat d'un produit Victor®. Nous sommes fiers de vous avoir comme client et nous tâcherons de vous fournir les meilleurs services et fiabilité dans l'industrie. Ce produit est appuyé par une garantie complète et un réseau mondial de service. Pour localiser votre distributeur ou agence de service le plus proche, veuillez communiquer avec un représentant à l'adresse ou au numéro de téléphone correspondant à votre région, indiqué à la page couverture arrière du manuel, ou visitez notre site web [www.victorequip.com](http://www.victorequip.com).

Ce Manuel d'utilisation a été conçu pour vous guider dans l'usage approprié et sécuritaire de votre produit Victor®. Votre satisfaction et le fonctionnement en toute sécurité de votre produit sont nos principaux soucis. Par conséquent, veuillez prendre le temps de lire tout le manuel, spécialement en ce qui concerne les Précautions de Sécurité. Ceci vous aidera à éviter des accidents possibles qui pourraient survenir en travaillant avec ce produit.

## **VOUS ÊTES EN BONNE COMPAGNIE!**

La marque de choix pour les entrepreneurs et les fabricants du marché mondial.

Victor® est une marque globale de produits d'équipement à gaz pour Thermadyne Industries Inc. Nous fabriquons et fournissons les plus grands secteurs de l'industrie de soudage dans le monde dont: la fabrication, la construction, l'exploitation minière, l'automobile, l'aérospatiale, l'ingénierie, le secteur rural et celui des loisirs et du bricolage.

Nous nous distinguons de notre concurrence grâce à nos produits en tête du marché, fiables, ayant résisté à l'épreuve du temps. Nous sommes fiers de notre innovation technique, nos prix compétitifs, notre excellente livraison, notre service clientèle et notre support technique de qualité supérieure, ainsi que de l'excellence dans les ventes et l'expertise en marketing.

Surtout, nous nous engageons à développer des produits utilisant des technologies de pointe pour obtenir un environnement de travail plus sécuritaire dans l'industrie de la soudure.

 **AVERTISSEMENTS**

*Lisez et comprenez tout le Manuel et les pratiques de sécurité de l'utilisateur avant l'installation, le fonctionnement ou l'entretien de l'équipement. Même si les informations contenues dans ce Manuel représentent le meilleur jugement du Fabricant, celui-ci n'assume aucune responsabilité pour son usage.*

Guide de soudage, découpe et chauffe  
Procédures de réglage et d'utilisation sécuritaire  
Numéro du guide d'instructions 0056-3260  
Publié par :  
Thermadyne Industries Inc.  
2800 Airport Road  
Denton, TX 76208  
(940) 566-2000

[www.victorequip.com](http://www.victorequip.com)

Droits d'auteur © 2009 par  
Thermadyne Industries Inc.

® Tous droits réservés.

La reproduction, de tout ou partie de ce manuel, sans l'autorisation écrite de l'éditeur, est interdite.

L'éditeur n'assume aucune et par la présente réfute toute responsabilité pour perte ou dommage causés à une partie par erreur ou omission dans ce manuel, qu'une telle erreur résulte d'une négligence, d'un accident, ou de toute autre cause.

Date de publication : 1er septembre 2009

Complétez les informations suivantes à des fins de garantie:

Lieu d'achat : \_\_\_\_\_

Date d'achat : \_\_\_\_\_

Numéro de série : \_\_\_\_\_

# Table des matières

<b>SECTION 1: INTRODUCTION.....</b>	<b>F1-1</b>
1.01 Comment utiliser ce manuel.....	F1-1
<b>SECTION 2: PRÉCAUTIONS DE SÉCURITÉ .....</b>	<b>F2-2</b>
2.01 Tenue des lieux.....	F2-2
2.02 Vêtements de sécurité .....	F2-3
2.03 Prévention contre les incendies.....	F2-3
2.04 Bouteilles.....	F2-5
<b>SECTION 3: GAZ INDUSTRIELS.....</b>	<b>F3-7</b>
3.01 Oxygène .....	F3-7
3.02 Acétylène.....	F3-8
3.03 Gaz naturel et propane .....	F3-10
3.04 Propylène et gaz combustibles dérivés du propylène..	F3-11
3.05 Gaz combustibles avec gaz naturel ou dérivé du propane plus les additifs d'hydrocarbures liquides ...	F3-12
<b>SECTION 4: APPAREILLAGE OXYGAZ .....</b>	<b>F4-13</b>
4.01 Alimentation en oxygène et combustible .....	F4-13
4.02 Détendeurs.....	F4-13
4.03 Manche de chalumeau.....	F4-16
4.04 Accessoire de coupe .....	F4-18
<b>SECTION 5: PRÉPARATION DE L'ÉQUIPEMENT POUR LE SOUDAGE .....</b>	<b>F5-23</b>
5.01 Bouteilles.....	F5-23
5.02 Détendeurs.....	F5-24
5.03 Tuyaux de soudage.....	F5-26
5.04 Manche de chalumeau.....	F5-26
5.05 Buse de brasage.....	F5-27
5.06 Installation, allumage du chalumeau et réglage de la flamme .....	F5-29
<b>SECTION 6: PROCÉDURES DE SOUDAGE .....</b>	<b>F6-32</b>
6.01 Préparation des métaux à souder .....	F6-32
6.02 Empêcher la déformation des métaux .....	F6-32
6.03 Techniques de soudage vers l'avant et en vers l'arrière...	F6-33
6.04 Début et fin du soudage .....	F6-34
6.05 Brasage au chalumeau et soudobrasage .....	F6-36
<b>SECTION 7: PRÉPARATION DE L'ÉQUIPEMENT POUR LA COUPE.....</b>	<b>F7-38</b>
7.01 Préparation pour les applications de coupe.....	F7-38
<b>SECTION 8: DÉPANNAGE .....</b>	<b>F8-45</b>
<b>SECTION 9: CARACTÉRISTIQUES.....</b>	<b>F9-46</b>
<b>SECTION 10: GLOSSAIRE.....</b>	<b>F10-52</b>
<b>SECTION 11: GARANTIE.....</b>	<b>F11-58</b>



**SECTION 1 :  
INTRODUCTION**

---

**1.01 COMMENT UTILISER CE MANUEL**

Ce guide comprend des informations importantes relatives au fonctionnement efficace et en toute sécurité de chalumeaux pour le soudage, la découpe et la chauffe.

Il existe plusieurs risques potentiels dans l'utilisation de chalumeaux. Il est donc important que les procédures adéquates de fonctionnement et de sécurité soient comprises avant l'utilisation de tels appareils.

**LISEZ ENTIÈREMENT ET ATTENTIVEMENT CE GUIDE AVANT D'ESSAYER DE FAIRE FONCTIONNER UN CHALUMEAU POUR LE SOUDAGE, LA DÉCOUPE ET LA CHAUFFE.** Une compréhension approfondie des procédures adéquates de fonctionnement et de sécurité aidera à minimiser les risques potentiels impliqués et augmentera l'efficacité et la productivité de votre travail.

Les opérations de soudage et de découpe doivent être conformes aux réglementations fédérales, de l'état, du pays ou de la ville applicables pour l'installation, le fonctionnement, la ventilation, la prévention contre les incendies et la protection du personnel. Vous trouverez des instructions détaillées de sécurité et de fonctionnement dans la norme ANSI Z49.1, « Safety in Welding and Cutting » (sécurité pour le soudage et la découpe). Elle est disponible auprès de l'American Welding Society (société américaine de soudage), P.O. Box 351040, Miami, FL. USA 33135 ou [www.aws.org](http://www.aws.org). D'autres publications comprenant des instructions de sécurité et de fonctionnement sont disponibles auprès des organisations suivantes : American Welding Society, (AWS) [www.aws.org](http://www.aws.org), Occupational Safety and Health organization (OSHA) [www.osha.gov](http://www.osha.gov), Compressed Gas Association (CGA) [www.cganet.com](http://www.cganet.com) and National Fire Protection Agency (NFPA) [www.nfpa.org](http://www.nfpa.org).

N'essayez pas d'utiliser un chalumeau si vous n'avez pas reçu de formation adaptée ou si vous n'êtes pas encadré par une personne compétente. Rappelez-vous, que le plus sécurisé des équipements, s'il est mal utilisé peut entraîner un accident.

Un système d'avis, de mises en garde, d'avertissements accentue les informations de sécurité et de fonctionnement importantes dans ce guide. Il s'agit de :

---

**AVIS**

---

*Ils transmettent des informations sur l'installation, le fonctionnement ou la maintenance qui sont importantes mais ne comportent pas de risque.*



---

**MISE EN GARDE**

---

*Elles indiquent la présence de situations potentiellement dangereuses qui si elles ne sont pas évitées risquent d'entraîner des blessures.*



---

**AVERTISSEMENT**

---

*Ils indiquent la présence de situations potentiellement dangereuses qui si elles ne sont pas évitées risquent d'entraîner des blessures graves, voire mortelles.*

---

## SECTION 2 : INFORMATIONS GÉNÉRALES DE SÉCURITÉ

Assurez-vous de lire et de comprendre toutes les instructions de sécurité et de fonctionnement fournies avant d'utiliser ce chalumeau. **GARDEZ CES INSTRUCTIONS DANS UN ENDROIT À PORTÉE DE MAIN POUR VOUS Y RÉFÉRER ULTÉRIEUREMENT.**

La liste préliminaire de vérifications de sécurité suivante constitue la base pour les informations de sécurité particulières notées dans ce guide.



### AVERTISSEMENT

*Ce produit contient des produits chimiques, comme le plomb, ou engendre des produits chimiques, reconnus par l'état de Californie comme pouvant être à l'origine de cancer, de malformations fœtales ou d'autres problèmes de reproduction. Il faut se laver les mains après toute manipulation. (Code de Californie de la sécurité et santé, paragraphe 25249.5 et suivants)*



### AVERTISSEMENT

*N'essayez PAS d'utiliser un chalumeau si vous n'avez pas reçu de formation adaptée ou si vous n'êtes pas encadré par une personne compétente. Pour votre sécurité, suivez les procédures de sécurité et de fonctionnement décrites dans ce guide lors de chaque utilisation d'un chalumeau. Toute déviation de ces procédures peut entraîner un incendie, une explosion, des dommages matériels et/ou des blessures sur l'opérateur. Si, à un instant quelconque, le chalumeau que vous utilisez ne fonctionne pas normalement ou si vous avez des difficultés à l'utiliser, éteignez-le et arrêtez immédiatement son utilisation. N'utilisez PAS le chalumeau tant que le problème n'a pas été corrigé.*



### AVERTISSEMENT

*L'entretien et la réparation des chalumeaux doivent être effectués par un technicien qualifié en matière de réparation uniquement. Un mauvais entretien, une mauvaise réparation ou une modification du produit pourrait entraîner des dommages sur celui-ci ou des blessures sur l'opérateur.*

### AVIS

*Le terme « technicien qualifié en matière de réparation » fait référence au personnel d'entretien capable d'entretenir le chalumeau en respectant entièrement tous les « bulletins de pièces et d'entretien » de Victor et la documentation applicables.*

## 2.01 TENUE DES LIEUX

1. La zone de travail doit avoir un sol ininflammable.
2. Les établis ou tables utilisés lors des opérations de soudage, découpe et chauffe doivent avoir une surface ininflammable.

3. Utilisez des boucliers de protection résistants à la chaleur ou autres équipements homologués afin de protéger les surfaces voisines contre les étincelles et le métal chaud.
4. Retirez tous les matériaux combustibles de la zone de travail.
5. Ventilez les zones de soudage, de coupe et de chauffe de façon adéquate afin d'éviter l'accumulation de gaz explosifs ou toxiques. Lorsque vous travaillez avec du plomb, des matériaux contenant du plomb, de l'acier recouvert de peinture à base de plomb, des matériaux recouverts de cadmium ou tout objet comprenant des métaux qui peuvent générer ou relâcher des fumées toxiques, assurez-vous de toujours porter un dispositif de protection respiratoire.
6. Lors du soudage ou brasage, assurez-vous de lire et de comprendre la fiche de données de sécurité (FDS) de l'alliage utilisé.
7. Placez les bouteilles d'oxygène et de gaz à proximité de votre emplacement de travail. Assurez-vous que les bouteilles se trouvent à une distance de sécurité des étincelles ou du métal chaud. Enchaînez les bouteilles individuellement ou fixez-les au mur, à l'établi, à un poteau, un chariot à bouteilles, etc. afin de les maintenir droites et d'empêcher qu'elles ne tombent.

### **2.02 VÊTEMENTS DE SÉCURITÉ**

1. Protégez-vous contre les étincelles, les scories volantes et l'éclat de la flamme à tout instant. Les flammes de gaz produisent des radiations infrarouges qui peuvent avoir des effets dangereux sur la peau et particulièrement les yeux. Choisissez des lunettes de sécurité ou un masque appropriés avec des verres trempés teintés de catégorie 5 ou plus foncé afin de protéger vos yeux contre des blessures et de vous assurer une bonne visibilité de votre travail.
2. Portez toujours des gants de protection adéquate ainsi que des vêtements résistants aux flammes afin de protéger votre peau et vos vêtements contre les étincelles et scories. Gardez vos cols, manches et poches boutonnés. NE remontez PAS vos manches, ni vos revers de pantalons.
3. Retirez tous ce qui est inflammables ou facilement combustibles de vos poches comme les allumettes ou les briquets.
4. Gardez vos vêtements et vêtements de protection propres entièrement dépourvus d'huile ou de graisse.
5. Ne portez pas de vêtement qui s'enflamme facilement tels des pantalons ou chemises en polyester.

### **2.03 PRÉVENTION CONTRE LES INCENDIES**

Les opérations de soudage et de découpe utilisent le feu ou la combustion comme outil de base. Le processus est très utile lorsqu'il est correctement contrôlé. Néanmoins, il peut être extrêmement destructeur s'il n'est pas réalisé correctement dans un environnement adapté.

Observez les techniques de prévention contre les incendies lorsque des opérations avec de l'oxygaz sont en cours. De simples précautions peuvent empêcher la plupart des incendies et aider à minimiser les dommages en cas d'incendie.

## **GUIDE DE SOUDAGE, DÉCOUPE ET CHAUFFE**

---

1. Gardez TOUS les chalumeaux de soudage et de découpe propres et dépourvus de graisse, d'huile et d'autres substances inflammables. Inspectez-les pour vérifier l'absence d'huile, de graisse ou de pièces endommagées. N'UTILISEZ pas le chalumeau si de la graisse ou de l'huile sont présentes ou si des dommages sont évidents.
2. N'utilisez jamais d'huile, de graisse ou de lubrifiant à proximité ou sur des chalumeaux. Rien qu'une trace d'huile ou de graisse peut s'enflammer et brûler violemment en présence d'oxygène.
3. Gardez les flammes, la chaleur et les étincelles loin des bouteilles, détendeurs et tuyaux.
4. Des étincelles volantes peuvent se déplacer à 10 m ou plus. Retirez tous les matériaux combustibles des zones où vous utilisez des chalumeaux.
5. Les opérateurs peuvent ne pas remarquer la présence d'un début d'incendie lorsqu'ils effectuent des soudages ou découpes. Leur vision est sérieusement gênée par les lunettes de sécurité à verres foncés. Selon les circonstances de l'emplacement du travail, il peut être judicieux de placer un détecteur d'incendie afin d'actionner un extincteur ou de déclencher une alarme sonore en cas d'incendie.
6. Gardez un extincteur homologué, de la bonne taille et du bon type dans la zone de travail. Inspectez-le régulièrement afin d'assurer son bon fonctionnement. Sachez comment l'utiliser.
7. Utilisez des boucliers de protection résistants à la chaleur ou autres équipements homologués afin de protéger les surfaces voisines, les plafonds et les équipements contre les étincelles et le métal chaud.
8. Utilisez les chalumeaux avec le type de gaz combustible pour lequel ils ont été conçus.
9. Une fois l'équipement correctement réglé, ouvrez le robinet de la bouteille d'acétylène environ 3/4 de tour mais pas plus de 1-1/2 tours. Gardez la clé, si une s'avère nécessaire, sur le robinet de la bouteille afin de pouvoir rapidement fermer le robinet si besoin est.
10. Pour tous les gaz sauf l'acétylène: ouvrez le robinet de la bouteille entièrement afin de sceller la garniture d'étanchéité de la bouteille.
11. Ne vérifiez jamais la présence de fuites avec une flamme. Utilisez une solution de détection de fuite homologuée.
12. N'effectuez jamais d'opérations de soudage, découpe ou chauffe sur un conteneur ayant contenu des liquides, vapeurs toxiques ou combustibles.
13. N'effectuez jamais d'opérations de soudage, découpe ou chauffe dans une zone comprenant des vapeurs combustibles, des liquides inflammables ou de la poussière explosive.
14. N'effectuez jamais d'opérations de soudage, découpe ou chauffe sur un conteneur ou réservoir fermé qui risquerait d'exploser lorsqu'il est chauffé.
15. Évitez d'utiliser les chalumeaux dans des salles ayant une installation d'extincteurs automatiques à eau, à moins qu'il y ait suffisamment de ventilation qui maintienne une température relativement basse dans la zone.
16. Lorsque le travail est fini, inspectez la zone pour la présence de flammes possibles ou de matériaux fumants.

## 2.04 BOUTEILLES

Toutes les réglementations du gouvernement et des assurances relatives au stockage de bouteilles d'oxygène, d'acétylène et GPL doivent être rigoureusement observées.

Les bouteilles de gaz industriels sont fabriquées selon des spécifications strictes et sont inspectées chaque fois que votre fournisseur les remplit. Elles ne sont pas dangereuses si vous les manipulez correctement.

Pour de plus amples informations sur le maniement en toute sécurité des bouteilles de gaz, contactez votre fournisseur de gaz ou référez-vous à la publication de l'association de gaz comprimé P-1, « Safe Handling of Compressed Gases in Containers » (manipulation en toute sécurité des conteneurs de gaz comprimés).

- Gardez toutes les bouteilles vides ou pleines éloignées des radiateurs, chaudières ou autres sources de chaleur.
- Évitez les contacts avec les circuits électriques.
- Gardez les huiles et graisses éloignées des bouteilles.
- Assurez-vous que les bouteilles ne sont pas exposées aux rayons directs du soleil.
- Protégez les robinets des bouteilles contre les bosses ou les objets tombants.
- Inspectez les robinets des bouteilles pour la présence de pièces endommagées. Gardez les robinets propres, dépourvus d'huile, de graisse ou de toutes impuretés.
- Fermez les robinets des bouteilles lorsqu'ils ne sont pas utilisés, lorsqu'ils sont vides ou lors de leur déplacement.
- Assurez-vous toujours que le robinet de la bouteille soit parfaitement fermé avant de retirer les détendeurs.
- Remettez toujours en place le bouchon du robinet, le cas échéant, lorsque la bouteille n'est pas utilisée.
- Ne laissez personne établir un arc ou brancher une électrode contre une bouteille.
- N'essayez jamais de remplir une bouteille ou de mélanger des gaz dans une bouteille. Ne prélevez jamais de gaz des bouteilles sauf par le biais de détendeurs correctement fixés ou d'un équipement conçu à cette fin. S'il est endommagé, envoyez le détendeur au fournisseur ou à un technicien qualifié pour une réparation. Ne falsifiez ni ne modifiez les numéros ou marques des bouteilles.
- N'utilisez jamais les bouteilles comme supports ou rouleaux.
- Lors du transport d'une bouteille à l'aide d'un appareil de levage, utilisez uniquement un berceau pour bouteille homologué. N'utilisez jamais d'appareil de levage « électroporteur » pour déplacer les bouteilles.
- Ne soulevez jamais la bouteille par son bouchon de protection.
- S'il vous est impossible de réaliser un scellé étanche au gaz entre le robinet de la bouteille et le mamelon du détendeur, vérifiez si l'écrou de raccord est serré. Si oui, vérifiez le raccord d'entrée du détendeur pour la présence de dommage. Si le robinet de la bouteille est endommagé, consignez la bouteille et avisez le fournisseur de gaz.
- N'insérez jamais de rondelles en plomb ou autre matériel entre le détendeur et le robinet de la bouteille. N'utilisez jamais d'huile ou de graisse sur les raccords.

## **GUIDE DE SOUDAGE, DÉCOUPE ET CHAUFFE**

---

- N'utilisez JAMAIS de bouteilles de gaz comprimé sans un détendeur de pression fixé au robinet de la bouteille.
- Ne traîner jamais, ni ne roulez les bouteilles sur leur bord inférieur, utilisez un chariot à bouteille adéquat.
- Ne transportez jamais de bouteilles de gaz à l'intérieur d'un véhicule destiné au transport des personnes. Transportez les bouteilles de gaz uniquement dans des véhicules de service correctement ventilés. Reportez-vous au CGA PS-7, « CGA Position statement on the Safe Transportation of Cylinders in Passenger Vehicles » « (énoncé de la position CGA sur le transport en toute sécurité de bouteilles dans des véhicules destinés au transport des personnes).
- N'utilisez que des clés de bouteilles standards pour ouvrir les robinets d'une bouteille, ne prolongez jamais la longueur de ces clés sous aucune circonstance. Si les robinets ne peuvent pas être ouverts manuellement, n'utilisez pas de marteau, ni de clé ; avisez le fournisseur.
- Laissez la clé de la bouteille en position lorsque les robinets de gaz combustible sont ouverts.
- Certains robinets de bouteilles, notamment les robinets de bouteilles d'acétylène, peuvent avoir besoin d'un ajustement de leur garniture. Consultez votre fournisseur de gaz pour la bonne méthode de réglage de la garniture. N'utilisez PAS la bouteille si la garniture fuit.



### **AVERTISSEMENT**

---

*Les bouteilles sont sous haute pression. Manipulez-les avec soin. Des accidents sérieux peuvent résulter d'une mauvaise manipulation ou d'un usage impropre de bouteilles de gaz comprimés. NE faites PAS chuter une bouteille, ne la faites pas tomber, ne l'exposez pas à une chaleur excessive, à des flammes ou des étincelles. NE heurtez PAS une bouteille de quelque façon que ce soit.*

---

## **SECTION 3: LES GAZ INDUSTRIELS**

---



### **MISE EN GARDE**

*Les gaz combustibles peuvent être toxiques. Contactez votre fournisseur en gaz pour la Fiche de données de sécurité (FDS) appropriée de chaque gaz que vous utilisez. Les réglementations des matériaux dangereux du Ministère du transport (Department of Transportation - DOT) régulent le transport des gaz industriels ainsi que les bouteilles à utiliser pour leur transport. L'élimination des gaz combustibles peut également être contrôlée. Contactez votre ministère du travail local ou de l'état pour de plus amples informations.*

### **3.01 OXYGÈNE**

Symbol chimique gazeux : O. Il est extrêmement important car il constitue l'élément essentiel du processus de respiration de la plupart des cellules vivantes ainsi qu'aux processus de combustion. Il est l'élément le plus abondant de la croûte terrestre. Il représente presque un cinquième (en volume) de l'air. L'oxygène peut être séparé de l'air par liquéfaction et distillation fractionnée. L'une des applications principales de l'oxygène est la fusion, le raffinage et la fabrication de l'acier et d'autres métaux. L'oxygène est nécessaire aux processus de combustion. On le combine alors avec des gaz combustibles pour qu'il produise la flamme désirée. L'oxygène lui-même n'est pas inflammable. Cependant, la présence d'oxygène accélère nettement le processus de combustion. L'oxygène peut facilement transformer une petite étincelle en une flamme rugissante ou une explosion.



### **AVERTISSEMENT**

*Ne laissez jamais l'oxygène entrer en contact avec de la graisse, de l'huile ou autres substances inflammables. Bien que l'oxygène seul ne brûle pas, ces substances peuvent devenir très explosives et peuvent s'allumer et brûler rapidement en présence d'oxygène pur. L'huile ou la graisse combiné(e) à de l'oxygène peut s'allumer et même exploser sans même la présence de chaleur ou de flamme excessive.*

L'oxygène est normalement livré en bouteilles en acier étiré standard. La bouteille de 7 mètres cubes est le plus souvent utilisée. Des bouteilles plus petites ou plus importantes sont aussi disponibles. Les bouteilles d'oxygène pleines sont normalement pressurisées à plus de 900 kilogrammes par centimètre carré. Déterminez le contenu d'une bouteille d'oxygène en lisant la pression d'admission sur le manomètre du détendeur en cours d'utilisation. Par exemple, la pression nominale d'une bouteille à moitié pleine indique la moitié du volume (m3) d'oxygène restant. La pression de remplissage maximal doit toujours être indiquée sur la bouteille.

En raison de la pression élevée sous laquelle l'oxygène est contenu, vous devez toujours manipuler les bouteilles avec soin. **ON NE PEUT JAMAIS EXAGÉRER LA VIOLENCE DE LA RÉACTION POTENTIELLE D'HUILE, DE GRAISSE OU D'AUTRES CONTAMINANTS EN PRÉSENCE D'OXYGÈNE. DES BLESSURES GRAVES, VOIRE MORTELLES, PEUVENT RÉSULTER DE L'UTILISATION D'OXYGÈNE EN TANT QUE REMPLAÇANT D'AIR COMPRIMÉ.** Vous ne devez jamais faire référence à l'oxygène en tant qu' « air ».



## AVERTISSEMENT

*N'utilisez jamais d'oxygène: Avec des outils pneumatiques; Avec des brûleurs de préchauffe d'huile; Afin de démarrer des moteurs à combustion interne; Afin de déboucher des canalisations; Afin de dépoussiérer des vêtements ou une zone de travail; Afin de pressuriser; Afin de ventiler*

*En résumé, sous aucune circonstance vous ne devez utiliser de l'oxygène en tant que remplacement d'air comprimé ou d'autres gaz. Utilisez l'oxygène uniquement pour les opérations de soudage, découpe et chauffe appropriées.*

---

### **RACCORDS DE SORTIE DE ROBINET D'OXYGÈNE ET D'ENTRÉE DE DÉTENDEUR :**

CGA 3700 à 20700 kPa; CGA 4000 à 28000 kPa; CGA 4800 à 38000 kPa

## **3.02 ACÉTYLÈNE**

L'acétylène est un corps composé de carbone et d'hydrogène ( $C_2H_2$ ). C'est un gaz combustible industriel versatile utilisé pour les applications de découpe, chauffe, soudage, brasage, brasage tendre, traitement de durcissement par trempe avec chauffage à la flamme, métallisation et réduction des contraintes. Il est produit après immersion du carbure de calcium dans de l'eau ou à partir de processus pétrochimiques. L'acétylène produit est alors comprimé dans des bouteilles ou alimenté dans des systèmes de tuyauterie. L'acétylène devient instable lorsqu'il est comprimé dans son état gazeux au-dessus de 103 kPa. Il ne peut donc pas être stocké dans une bouteille « creuse » sous haute pression de la même façon, par exemple, que l'oxygène est stocké. Les bouteilles d'acétylène sont remplies avec un matériau poreux (silicate de calcium) qui crée une bouteille « solide » par opposition à une bouteille « creuse ». Le remplissage poreux est alors saturé avec de l'acétone liquide. Lorsque l'acétylène est pompé dans la bouteille, il est absorbé par l'acétone liquide au travers du remplissage poreux. Il est maintenu dans une condition stable (voir figure 2). Le remplissage de bouteilles d'acétylène est un processus délicat qui nécessite une formation et des équipements spéciaux. Vous devez donc toujours faire remplir vos bouteilles d'acétylène uniquement par les distributeurs de gaz homologués. Vous ne devez jamais transvaser le contenu d'une bouteille d'acétylène dans une autre.



**Matériau de remplissage :** (silicate de calcium) 8 % à 10 %  
Le matériau de remplissage qui occupe entièrement la coquille d'acier est composé de 90 % à 92 % de millions de pores interconnectés.

**Acétone :** 42 %  
L'acétone est égal à 42 % du volume interne et est dispersée au travers du matériau de remplissage.

**Acétylène :** 36 %  
L'acétylène est absorbé de façon uniforme par l'acétone. Le mélange résultant occupe 78 % du volume interne.

**Volume de réserve à 21° C :** 10 % à 12 %  
Étant donné que l'acétone et l'acétylène à l'état gazeux se dilatent en même temps que la température augmente, une réserve de sécurité doit être présente même à 65° C.

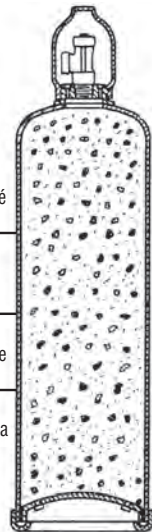


Figure 2 : Intérieur d'une bouteille d'acétylène

## Bouteilles d'acétylène

Toutes les bouteilles d'acétylène sont équipées de bouchons fusibles. Ils sont conçus pour ventiler le contenu des bouteilles en cas de présence d'une condition dangereuse suite à un certain nombre de raisons, telles la surchauffe due à une mauvaise utilisation, un équipement défaillant ou en conjonction avec une température excessive. En cas de mauvais fonctionnement d'un dispositif de sécurité de la bouteille, consignez la bouteille, placez-la dans une zone bien ventilée, de préférence à l'extérieur et aviser le fournisseur immédiatement.

## Capacité d'une bouteille d'acétylène communément disponible

Mètres cubes / m <sup>3</sup>		
0,3	3,7	9,3
1,1	5,4	10,2
1,7	6,4	11,0
2,1	8,2	24,1
2,8	8,5	

Les bouteilles acétylène utilisées aux États-Unis doivent être conformes aux spécifications 8 et 8 AL du Ministère du transport (DOT).

## Spécifications

### SÉCURITÉ

Réactivité aux chocs	Instable au-delà de 103 kPa à l'extérieur de la bouteille
Limites d'explosivité dans l'oxygène, %	3,0 - 93
Limites d'explosivité dans l'air, %	2,5 - 80
Pression d'utilisation maximale autorisée	103 kPa
Tendance au retour de flamme	Considérable
Toxicité	Faible
Taux de prélèvement maximal	1/7 du contenu d'une bouteille par heure

# GUIDE DE SOUDAGE, DÉCOUPE ET CHAUFFE

## PROPRIÉTÉS DE LA COMBUSTION

Température de la flamme neutre (°C)	3160
Vitesse de déflagration dans l'oxygène (m/sec)	6,9
Flamme primaire (MJ/m <sup>3</sup> )	18,9
Flamme secondaire (MJ/m <sup>3</sup> )	35,9
Chaleur totale (MJ/m <sup>3</sup> )	54,8
Valeur calorifique totale (kJ/kg)	50 140
Température d'autoinflammation (°C)	406-440

## RACCORDS DE SORTIE DE ROBINET ET D'ENTRÉE DE DÉTENDEUR

- Raccords standard CGA 510
- Raccords standard alternatif CGA 300
- Série de petit robinet (bouteille de 0,3 m<sup>3</sup>) CGA 200
- Série de petit robinet (bouteille de 1,1 m<sup>3</sup>) CGA 520

\*Toutes les valeurs sont approximatives\*

Si vous avez besoin de spécifications plus détaillées, contactez votre fournisseur de gaz combustible pour les propriétés spécifiques du gaz combustible.

## 3.03 GAZ NATUREL ET PROPANE

Le gaz naturel est disponible dans la plupart des régions des États-Unis et du Canada. Les propriétés physiques varient en fonction de l'emplacement géographique. Le méthane est un gaz incolore, inodore et est le composant principal du gaz naturel, un mélange comprenant environ 75 % de méthane (CH<sub>4</sub>), 15 % d'éthane (C<sub>2</sub>H<sub>6</sub>) et 5 % d'autres hydrocarbures, tels le propane (C<sub>3</sub>H<sub>8</sub>) et le butane (C<sub>4</sub>H<sub>10</sub>).

Le propane (C<sub>3</sub>H<sub>8</sub>) est un combustible fossile non renouvelable, comme le gaz naturel. Il est produit par raffinage du pétrole. Il est plus connu sous le terme de GPL (gaz propane liquide). Tout comme le gaz naturel (méthane), le propane est incolore et inodore. Bien que le propane ne soit pas toxique et inodore, des mercaptans qui ont une odeur désagréable sont ajoutés afin de faciliter la détection de fuite.

Les gaz de pétrole liquéfié (PL) ont été découverts en 1912 lorsqu'un scientifique américain, le Docteur Walter Snelling, a découvert qu'ils avaient la possibilité de se liquéfier et d'être entreposés à une pression modérée. L'industrie de GPL a démarré quelques temps après la deuxième guerre mondiale lorsqu'un problème de distribution du gaz naturel se présentait. Une partie du pipeline située dans un champ de gaz naturel passait sous un courant froid. Celui-ci entraînait l'accumulation importante de liquide dans le pipeline, parfois au point de bloquer le pipeline entier. Très vite, les ingénieurs ont trouvé une solution : des sites ont été construits afin de refroidir et comprimer le gaz naturel et séparer les gaz qui risqueraient de passer à la phase liquide (y compris le propane et le butane).

Le gaz naturel et le propane sont utilisés comme gaz combustible industriel pour la découpe au chalumeau, l'ébarbage au chalumeau, la chauffe, le traitement de durcissement par trempe avec chauffe à la flamme, la réduction des tensions, le brasage et le brasage tendre.

### Bouteilles de gaz naturel et propane

Le gaz naturel est transporté par des pipelines vers la plupart des exploitations qui l'utilisent comme gaz combustible. Le gaz naturel / méthane est autorisé, selon les réglementations du ministère du transport (DOT), à être transporté dans des bouteilles de gaz comprimés non liquéfiés.

# PROCÉDURES DE RÉGLAGE ET D'UTILISATION SÉCURITAIRE

Le propane est disponible dans des réservoirs de stockage sur place. Il peut également être placé dans des bouteilles de 2 à 190 kilogrammes.

## Spécifications

SÉCURITÉ	Gaz naturel	Propane
Réactivité aux chocs	Stable	Stable
Limites d'explosivité dans l'oxygène (%)	5.0-59	2.4-57
Limites d'explosivité dans l'air (%)	5.0-15	2.1-9.5
Pression d'utilisation maximale autorisée	elle varie	Bouteille (800 kPa à 21°C)
Tendance au retour de flamme	Insignifiante	Insignifiante
Toxicity	Faible	Faible

PROPRIÉTÉS DE LA COMBUSTION	Gaz naturel	Propane
Température de la flamme neutre (°C)	2538	2526
Vitesse de déflagration dans l'oxygène (m/sec.)	4,6	3,7
Flamme primaire (MJ/m <sup>3</sup> )	2,0	11,0
Flamme secondaire (MJ/m <sup>3</sup> )	37,1	84,5
Chaleur totale (MJ/m <sup>3</sup> )	39,1	95,5
Valeur calorifique totale [après vaporisation] (kJ/kg)	57 660	50 140
Température d'autoinflammation (°C)	537	468

## RACCORDS DE SORTIE DE ROBINET ET D'ENTRÉE DE DÉTENDEUR

Gaz naturel	Par Pipeline
Méthane	CGA 350
Méthane (38 000 kPa max.)	CGA 695
Propane	CGA 510

\*Toutes les valeurs sont approximatives\*

Si vous avez besoin de spécifications plus détaillées, contactez votre fournisseur de gaz combustible pour les propriétés spécifiques du gaz combustible.

## 3.04 PROPYLÈNE ET GAZ COMBUSTIBLES DÉRIVÉS DU PROPYLÈNE

Le propylène, connu également par son nom IUPAC propène, est un composant organique ayant la formule chimique C<sub>3</sub>H<sub>6</sub>. Il est le deuxième membre le plus simple de la classe alcène des hydrocarbures, l'éthylène (éthène) étant le plus simple. À la température et pression ambiantes, le propylène est un gaz. Il est incolore, très inflammable et a une odeur similaire à celle de l'ail. On trouve le propylène dans le gaz de houille. Il peut être synthétisé par craquage du pétrole.

Dans les nouvelles conceptions, le craquage est réalisé à l'aide d'un catalyseur à base de zéolite très actif dans une partie de la tuyauterie verticale à temps de contact court ou inclinée vers le haut appelé « colonne de montée ». Le pétrole préchauffé est projeté dans la base de la colonne de montée par une tuyère d'alimentation où elle contacte un catalyseur extrêmement chaud de 665 à 760 °C. Le catalyseur chaud vaporise le pétrole et catalyse les réactions de craquage qui décomposent le pétrole à poids moléculaire élevé en composants plus légers tels que le GPL, l'essence et le diesel. Le mélange de catalyseur hydrocarbure s'écoule vers le haut dans la colonne de montée pendant quelques secondes puis il est séparé à l'aide de cyclones. Les hydrocarbures n'ayant pas de catalyseur sont acheminés vers une colonne de fractionnement pour le fractionnement en gaz combustibles, GPL, essence, gasoil léger cyclé utilisés pour le diesel et les carburateurs ainsi que le fioul lourd.

## GUIDE DE SOUDAGE, DÉCOUPE ET CHAUFFE

Ces gaz sont des gaz combustibles industriels utilisés pour la découpe au chalumeau, l'ébarbage au chalumeau, la chauffe, le traitement de durcissement par trempes avec chauffe à la flamme, la réduction des contraintes, le brasage et le brasage tendre. Ils peuvent également être utilisés dans certaines applications de soudage de fonte et d'aluminium.

### Bouteilles de propylène et de gaz combustibles dérivés du propylène

Elles sont disponibles dans des réservoirs de stockage sur place. Elles sont également disponibles dans des bouteilles portables de 14 kg ainsi que des bouteilles de 27 à 32 kg et 45 à 50 kg.

### Spécifications

#### SÉCURITÉ

Réactivité aux chocs	Stable
Limites d'explosivité dans l'oxygène (%)	2.0-57
Limites d'explosivité dans l'air (%)	2.0-10
Pression d'utilisation maximale autorisée	Bouteille (930 kPa à 21°C)
Tendance au retour de flamme	Modérée
Toxicité	Faible

#### PROPRIÉTÉS DE LA COMBUSTION

Température de la flamme neutre (°C)	2893
Vitesse de déflagration dans l'oxygène (m/sec)	4,6
Flamme primaire (MJ/m <sup>3</sup> )	15,0
Flamme secondaire (MJ/m <sup>3</sup> )	73,4
Chaleur totale (MJ/m <sup>3</sup> )	88,4
Valeur calorifique totale [après vaporisation] (kJ/kg)	46 400
Température d'autoinflammation (°C)	480

### RACCORDS DE SORTIE DE ROBINET ET D'ENTRÉE DE DÉTENDEUR

- CGA 510 – 22,5 mm-14 NGO-LH-INT (sortie POL)

\*Toutes les valeurs sont approximatives\*

Si vous avez besoin de spécifications plus détaillées, contactez votre fournisseur de gaz combustible pour les propriétés spécifiques du gaz combustible.

## 3.05 GAZ COMBUSTIBLES AVEC GAZ NATUREL OU DÉRIVÉ DU PROPANE PLUS LES ADDITIFS D'HYDROCARBURES LIQUIDES

Ces gaz combustibles sont constitués de gaz naturel ou d'un dérivé de propane qui est enrichi par un additif d'hydrocarbure liquide. L'additif d'hydrocarbure liquide est en général une fraction d'éther de pétrole, à faible point d'ébullition, composée de n-pentane et/ou d'isopentane. Le n-pentane a une valeur calorifique d'environ 158 MJ/m<sup>3</sup>. Le pentane ajouté au gaz naturel augmente de quelque pourcentage la valeur calorifique, sachant que la valeur calorifique du gaz naturel est d'environ 34,1 MJ/m<sup>3</sup>. Ceci ne signifie pas que tous les gaz combustibles mentionnés ci-dessus utilisent du n-pentane ou un isopentane en tant qu'additif d'hydrocarbure liquide.

Les propriétés physiques et de combustion de ces gaz combustibles varient selon le pourcentage d'additif ajouté au gaz naturel de base ou au propane. Utilisez les spécifications générales du gaz naturel et du propane indiquées sur les pages précédentes uniquement en tant que guide. Si vous avez besoin de spécifications plus détaillées, contactez votre fournisseur de gaz combustible pour les propriétés spécifiques du gaz combustible.

## SECTION 4: APPAREILLAGE OXYGAZ

Les postes de travail de chalumeaux comprennent normalement les éléments suivants, chacun étant conçu pour réaliser une fonction particulière :

- Alimentation en oxygène et combustible
- Détendeurs
- Tuyaux
- Manche de chalumeau
- Accessoires de découpe et buse(s)
- Buse(s) de soudage
- Buse(s) de chauffe
- Équipement de sécurité des opérateurs

### 4.01 ALIMENTATION EN OXYGÈNE ET COMBUSTIBLE

Il existe deux types de poste de travail, les portables et les stationnaires. Les postes portables sont souvent alimentés par des bouteilles fixées sur un chariot. Les postes stationnaires sont alimentés par des tuyaux ou des systèmes de rampe de distribution (voir la figure 3). Les systèmes stationnaires limitent la longueur de tuyau disponible à l'opérateur du chalumeau soudeur.



#### MISE EN GARDE

*Sachez toujours quels gaz sont utilisés dans le poste. Utilisez uniquement le type de chalumeaux conçu pour être utilisé avec ces gaz.*

### 4.02 DÉTENDEURS

L'oxygène et les détendeurs de pression des gaz combustibles sont fixés sur les bouteilles ou sur les sorties de la tuyauterie afin de réduire à un niveau approprié les pressions élevées de la bouteille ou de l'alimentation destinées au fonctionnement du chalumeau. Les fonctions externes de base d'un détendeur sont indiquées (voir la figure 3a). Le raccord d'entrée CGA avec filtre, la vis de réglage de la pression, la jauge d'entrée, la jauge à pression, le raccord de sortie et la soupape de sécurité (le cas échéant).

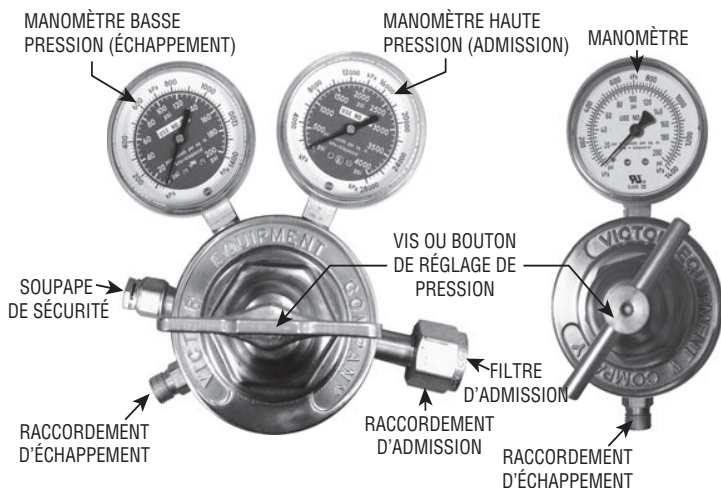


Figure 3a : Pièces d'un détendeur

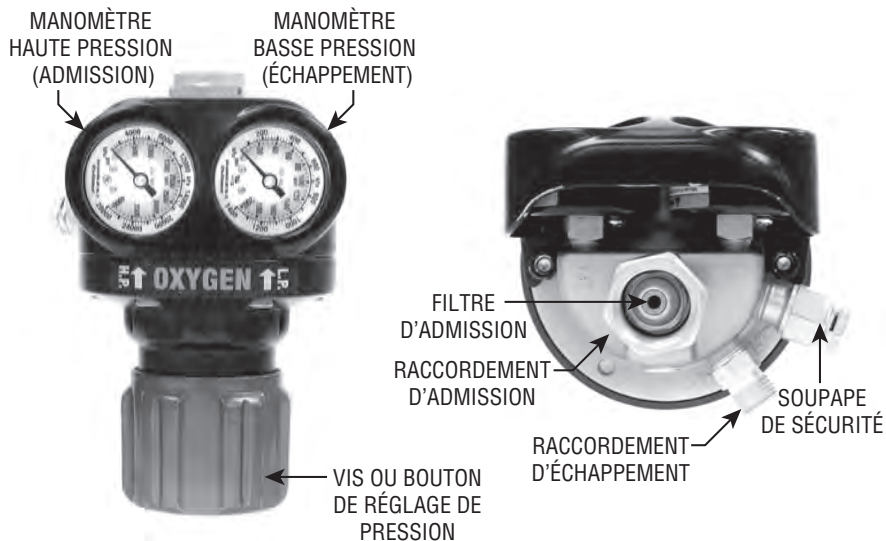


Figure 3b : Détendeur de pression de série Edge™

## AVERTISSEMENT

*Gardez toujours le détendeur propre, dépourvu de graisse, d'huile ou d'autres substances inflammables. N'utilisez jamais d'huile ou de graisse sur le raccord du détendeur, la bouteille ou la rampe de distribution. N'utilisez le détendeur qu'avec le gaz et à la pression pour lesquels il a été conçu. **NE MODIFIEZ JAMAIS** un détendeur pour l'utiliser avec un autre gaz.*

### Raccord d'entrée

Les détendeurs sont fixés aux bouteilles ou sorties de tuyauterie par leur « raccords d'entrée ». Les raccords d'entrée doivent avoir un filtre propre. Tous les raccords d'entrée sont conformes aux spécifications et normes établies par la CGA (l'association de gaz comprimé) et sont marqués avec un numéro d'identification CGA. Les numéros CGA identifient le robinet de la bouteille et le gaz pour lesquels ce raccord d'entrée à été conçu. Exemples : CGA 510 a été conçu pour les raccords de bouteille de gaz combustible standard tels l'acétylène et le propane. Les raccords CGA 540 ont été conçus pour l'oxygène uniquement. Les raccords d'entrée de gaz combustibles ont souvent des filetages à gauche. Ceux avec des filetages à gauche ont aussi une encoche en « V » autour de l'écrou d'entrée afin de préciser de nouveau le type de gaz combustible. Tous les raccords d'oxygène ont des filetages à droite.

### Vis de réglage de pression

La vis de réglage du détendeur contrôle la pression de sortie du gaz vers le tuyau. Comme il a déjà été mentionné, la fonction du détendeur est de réduire les pressions élevées d'approvisionnement afin qu'elles soient comprises dans une plage de pressions d'utilisation. Lorsque vous tournez la vis de réglage dans le sens des aiguilles d'une montre, le détendeur laisse circuler les gaz jusqu'aux tuyaux et chalumeau. La vis de réglage filetée exerce une force mécanique sur un ressort et une membrane qui contrôle une soupape de sécurité du détendeur. Si vous tournez la vis de réglage à fond dans le sens opposé des

# PROCÉDURES DE RÉGLAGE ET D'UTILISATION SÉCURITAIRE

aiguilles d'une montre, la tension du ressort est relâchée et celui-ci, normalement, ne laisse pas circuler le gaz. La vis de réglage du détendeur n'est pas conçue pour servir de mécanisme « d'arrêt ».

## Manomètres

Le manomètre de la pression d'entrée indique la pression de la bouteille ou du gaz entrant dans le détendeur. Le manomètre de la pression de sortie indique la pression de sortie du détendeur vers le tuyau. Tous les manomètres sont des instruments de précision ; manipulez-les avec soin.

## Raccords de sortie

Les tuyaux de soudage sont fixés aux raccords de sortie du détendeur. La plupart des détendeurs de gaz combustible ont des raccords de sorties filetés à gauche afin de s'accoupler avec les raccords de tuyaux filetés à gauche et une encoche en « V » autour du raccord de sortie afin de préciser de nouveau le raccord du gaz. Les détendeurs d'oxygène ont des raccords de sortie filetés à droite afin de s'accoupler aux raccords des tuyaux filetés à droite.

## Soupape de sécurité (le cas échéant)

Les soupapes de sécurité internes ou externes sont conçues pour protéger le côté basse pression du détendeur contre tous dommages dus à un coup de bélier intempestif.



### AVERTISSEMENT

**NE MODIFIEZ, ni ne retirez la soupape de sécurité du détendeur. Les soupapes de sécurité ne sont pas conçues pour protéger les équipements en aval des hautes pressions.**

## Tuyaux

Les tuyaux de soudage transportent des gaz basse pression (maximum 1 400 kPa) entre les détendeurs et le chalumeau de coupe ou de soudage. L'entretien adéquat et la maintenance des tuyaux aident l'opérateur à travailler dans un atelier ou une zone en toute sécurité, de façon efficace.

## Construction des tuyaux

Les tuyaux de soudage industriels aux États-Unis sont souvent codés en couleur pour identification par le service de gaz. Les tuyaux d'oxygène sont normalement verts et les tuyaux de gaz rouges. Les couleurs peuvent être différentes dans les pays autres que les USA. Les parois des tuyaux sont faites de couches continues de caoutchouc ou de néoprène enrobant une partie intérieure tressée. Le tuyau est marqué afin d'indiquer sa classification. Tous les tuyaux homologués fabriqués à l'intérieur du pays de type VD classification « RM » et « T » sont ignifugeants et ont un revêtement résistant aux huiles. Ceux de classifications « R » n'ont pas de revêtement résistant aux huiles. Les tuyaux de classification « T » et « RM » brûlent mais ne gardent pas la flamme dès que la source de chaleur est supprimée. Les tuyaux de classification « T » sont recommandés pour tous les gaz combustibles. Les tuyaux de classification « R » et « RM » sont destinés à l'acétylène uniquement.



### AVERTISSEMENT

**Les tuyaux de classification « R » et « RM » sont destinés à l'acétylène uniquement. Ces tuyaux ont des revêtements intérieurs en caoutchouc qui se dégradent au contact de gaz combustibles dérivés du pétrole. Les tuyaux de classification « T » sont recommandés pour tous les gaz combustibles. Ils doivent être utilisés avec des gaz combustibles dérivés de pétrole puisque leur revêtement intérieur est en néoprène qui est compatible avec ces gaz.**



## Entretien des boyaux

Les tuyaux de soudage sont souvent exposés aux pires abus. Ils peuvent assurer un service efficace si vous les entretenez convenablement. Les épissures et longueurs de tuyaux excessives peuvent restreindre et réduire la quantité de débit de gaz dans les tuyaux. Les scories et étincelles peuvent rentrer en contact avec les tuyaux et brûler leur revêtement extérieur. Des chutes de métal lors des opérations de coupe peuvent écraser ou découper les tuyaux de soudage. L'opérateur doit fréquemment inspecter les tuyaux et, si nécessaire, les remplacer.

## Remarques de sécurité

- Gardez les tuyaux de soudage éloignés de toutes chutes de métal, scories ou étincelles.
- Ne laissez jamais les tuyaux se recouvrir d'huile, de graisse ou de saleté. De telles couches risqueraient de cacher des zones endommagées.
- Examinez les tuyaux avant de les fixer au manche du chalumeau ou des détendeurs. Si vous trouvez des coupures, brûlures, zones usées ou des raccords endommagés, remplacez-les.
- Remplacez entièrement les tuyaux de soudage s'ils comportent des épissures multiples ou lorsque vous remarquez des fissures ou de l'usure.

## LES TERMES QUE VOUS DEVEZ CONNAÎTRE :

**RETOUR DE FLAMME** - Il s'agit du retour de flamme dans le chalumeau qui produit un bruit de claquement. La flamme s'éteint ou se rallume à la buse.

**RETOUR DE FLAMME SOUTENU** - Il s'agit du retour de flamme dans le chalumeau qui brûle en continu dans le chalumeau. Celui-ci peut être accompagné d'un bruit de claquement suivi d'un sifflement.

**RETOUR DE FLAMME DANS LE TUYAU ET DÉTENDEUR** - Il s'agit du retour de flamme dans le chalumeau, le tuyau et même le détendeur. Il peut également atteindre la bouteille. Ceci peut causer une explosion dans le système.

## 4.03 MANCHE DE CHALUMEAU

Un manche de chalumeau est essentiellement un ensemble en Y de tubes de gaz avec des robinets. Un « tube et robinet » contrôle l'approvisionnement en gaz et l'autre « tube et robinet » contrôle l'approvisionnement en oxygène. Le manche du chalumeau n'est pas conçu pour mélanger les gaz du processus d'oxygaz. Les chalumeaux de coupe et de soudage fixés au manche mélangent les gaz combustibles et l'oxygène. Le manche permet de contrôler l'approvisionnement en gaz.

Le chalumeau VICTOR® comprend six éléments de base comme indiqué (figure 4). Les robinets avec des clapets anti-retour, le corps « Y » avec des intercepteurs de retour de flamme, le manche et les tubes (situés à l'intérieur du manche) et la tête du chalumeau.

### AVIS

*Les numéros de modèle des manches de chalumeau Victor® comprennent les lettres « FC » qui indiquent qu'ils sont équipés d'intercepteurs de retour de flamme et de clapets anti-retour (c.-à-d. 315FC). Les numéros de modèles avec uniquement un « C » ne comprennent que des clapets anti-retour (c.-à-d. Les versions précédentes sans « F », ni « C » dans le numéro de modèle n'ont ni l'un, ni l'autre (c.-à-d. 315). Pour tous les modèles de manche de chalumeau « C » ainsi que les versions précédentes, il est recommandé d'installer des intercepteurs de retour de flamme. La plupart des intercepteurs de retour de flamme d'appoint comprennent des clapets anti-retour.*



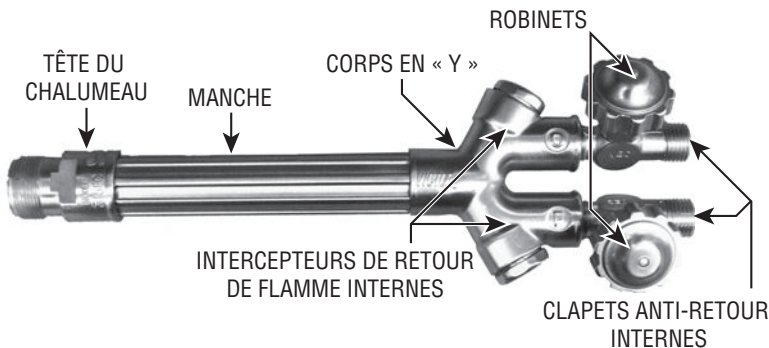


Figure 4 : Pièces d'un manche de chalumeau

## Corps en « Y » avec intercepteurs de retour de flamme internes

La plupart des manches de chalumeau Victor® sont équipés d'intercepteurs de retour de flamme. Les intercepteurs de retour de flamme sont conçus afin d'empêcher les gaz mélangés de s'enflammer en amont des intercepteurs de retour de flamme.



### MISE EN GARDE

*Il n'est pas recommandé d'utiliser des intercepteurs de retour de flamme sur les manches de chalumeau Victor® FC étant donné que ces appareils ont déjà des intercepteurs intégrés. L'écoulement de gaz pourrait être bloqué.*

## Informations générales sur les intercepteurs de retour de flamme

- Les intercepteurs de retour de flamme compris dans ce chalumeau sont conçus pour éviter que le retour de flamme ne remonte à l'intérieur du tuyau et du système d'alimentation. Une barrière en acier fritté, l'équivalent d'un filtre très fin, arrête les retours de flamme.
- Pour une durabilité maximum de l'intercepteur de retour de flamme, purgez toutes les conduites et tous les tuyaux avant de le raccorder sur le manche du chalumeau. Ceci retire tous les débris contenus dans les tuyaux ou les détendeurs qui pourraient limiter le débit dans l'intercepteur de retour de flamme.
- L'écoulement de gaz sera limité voire bloqué et le chalumeau risque de surchauffer si des poussières ou des résidus huileux présents dans le gaz liquéfiés atteignent les intercepteurs. Veillez à ne pas aspirer de liquide. Entreposez et utilisez toujours les bouteilles en position verticale.

## Robinet avec clapets anti-retour internes

Le corps en « Y » possède deux robinets. Les corps des robinets sont marqués afin de les différencier. Le corps de l'un des robinets est fileté à gauche afin d'accepter le tuyau de gaz combustible. L'autre robinet est fileté à droite afin d'accepter le tuyau d'oxygène. Les robinets n'ont jamais besoin de lubrifiant. Occasionnellement, les écrous de presse-garniture peuvent nécessiter un léger réglage.

La plupart des manches de chalumeau Victor® sont équipés de clapets anti-retour intégrés brevetés afin de réduire la possibilité de mélange des gaz dans les tuyaux et détendeurs.



## MISE EN GARDE

*Les clapets anti-retour sont des mécanismes qui peuvent fuir en présences de saleté ou s'ils sont forcés. Vous devez tester les clapets anti-retour de flamme au moins tous les six mois et plus souvent si les tuyaux sont souvent débranchés. Des négligences, saletés ou abus peuvent écourter la durée de vie des clapets anti-retour, nécessitant alors la réalisation de tests plus fréquemment. Suivez les instructions du fabricant pour les tests des clapets anti-retour.*

## AVIS

*Les clapets anti-retour ne sont pas similaires aux intercepteurs de retour de flamme. Les clapets anti-retour ne sont pas conçus pour empêcher le retour en amont du gaz dans le chalumeau. Les intercepteurs de retour de flamme sont conçus afin d'empêcher les gaz mélangés de s'enflammer en amont des intercepteurs de retour de flamme.*

### Manche

Le manche et l'ensemble du tube intérieur d'oxygène sont conçus afin de garder l'oxygène et le gaz combustible séparés. La conception d'un tube dans un tube permet au système d'alimentation d'oxygène de circuler dans le tube intérieur vers la tête tandis que l'alimentation en gaz circule dans l'intérieur du manche.

### Tête du chalumeau

La tête du chalumeau est fileté au manche assurant ainsi l'étanchéité métal sur métal. Il n'y a pas de joints toriques. L'alimentation en oxygène du tube intérieur est dirigée dans l'orifice central de la tête tandis que l'alimentation en gaz passe dans les orifices percés autour du port d'oxygène du milieu. Les surfaces coniques à l'intérieur de la tête appuient sur les joints toriques lorsque les accessoires de soudage ou de coupe sont assemblés. Cela permet de réaliser un joint étanche au gaz. Ne lubrifiez jamais ces surfaces. Si le filetage externe ou les surfaces internes de la tête sont endommagés, ils peuvent être rénovés par un technicien de réparation qualifié.

## 4.04 ACCESSOIRE DE COUPE

L'accessoire de coupe permet une coupe pratique et économique où la fréquence et/ou l'utilisation ne nécessite pas de chalumeau de coupe uniquement. Lorsque l'accessoire de coupe est branché sur la lance d'un chalumeau, il fonctionne en tant que chalumeau de coupe. Il offre à l'opérateur une gamme importante de possibilités de coupe.

L'accessoire de coupe comprend sept éléments de base comme indiqué (figure 5). L'extrémité conique, l'écrou d'accouplement, le robinet d'oxygène de préchauffe, le mélangeur, le tube et levier d'oxygène de coupe, la tête de l'accessoire de coupe et l'écrou de la buse.

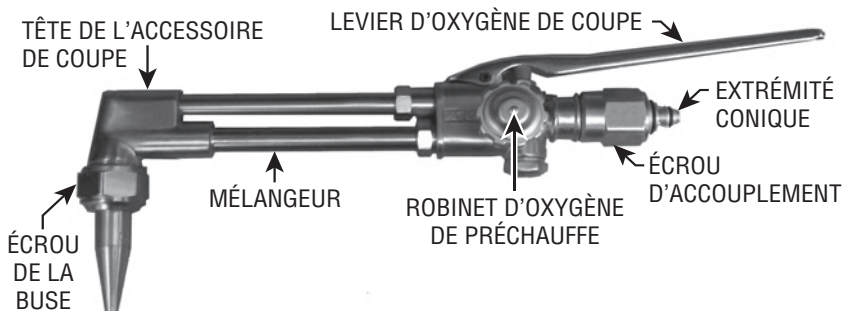


Figure 5 : Pièces de l'accessoire de coupe

## Extrémité conique et écrou d'accouplement

L'extrémité conique et l'écrou d'accouplement sont conçus pour faciliter la fixation à la lance du chalumeau. L'extrémité conique est usinée afin de s'assembler avec le cône interne de la tête de la lance du chalumeau. Les joints toriques de l'extrémité conique permettent la séparation continue de l'oxygène et des gaz combustibles. Les joints toriques permettent également de sceller manuellement le raccordement.

## AVERTISSEMENT

*Il doit toujours y avoir deux joints toriques sur l'extrémité conique. Si l'un ou les deux joints toriques sont manquants ou endommagés, il y a risque de pré-mélange et de fuites de l'oxygène et des gaz combustibles. Cela peut entraîner un retour de flamme soutenu dans la lance du chalumeau ou de l'accessoire de coupe.*

L'orifice central de l'extrémité conique, tel l'orifice central de la tête de la lance du chalumeau permet le passage de l'alimentation en oxygène. Les orifices situés autour de l'orifice de l'oxygène permettent au gaz combustible de circuler jusqu'au mélangeur dans la partie basse du tube de l'accessoire de coupe.

## Robinet d'oxygène de préchauffe

Lorsque l'accessoire de coupe est raccordé à la lance du chalumeau, le robinet d'oxygène de préchauffe de l'accessoire de coupe commande l'alimentation en oxygène du détendeur. Pour pouvoir fonctionner comme tel, le robinet d'oxygène sur la lance du chalumeau doit être entièrement ouvert. Il est donc possible d'augmenter ou de diminuer l'alimentation d'oxygène de préchauffe en ouvrant ou fermant le robinet de l'accessoire de coupe. L'alimentation en gaz est commandée par le robinet de gaz sur la lance du chalumeau.

## Tube du mélangeur

Le gaz combustible et l'oxygène sont mélangés afin de produire la flamme de préchauffe désirée. Afin d'obtenir le mélange nécessaire, le gaz, l'oxygène et le combustible sont dirigés vers un mélangeur situé dans la partie avant du tube de la chambre de mélange de l'accessoire de coupe. L'oxygène est dirigé vers le mélangeur dans le tube d'oxygène interne. Le gaz combustible est soutiré de la cavité extérieure du tube inférieur de l'accessoire autour du mélangeur. Les gaz mélangés circulent ensuite au travers des orifices préchauffés de la tête de l'accessoire de coupe et dans les orifices de préchauffe de la buse de coupe.

## Tube et levier d'oxygène de coupe

Le levier d'oxygène de coupe est situé au-dessus du corps de l'accessoire de coupe. Si vous appuyez sur le levier lorsque le robinet d'oxygène de la lance du chalumeau est ouvert, vous permettez à l'oxygène de coupe de circuler dans le tube supérieur de l'accessoire de coupe et de passer dans l'orifice central de la tête de l'accessoire de coupe. Le tube d'oxygène supérieur est conçu pour permettre une alimentation maximale en oxygène lors de la coupe et renforcer la résistance structurelle grâce à l'utilisation de tubes super résistants.

## Tête de l'accessoire de coupe

La tête de l'accessoire de coupe est conçue pour permettre à l'oxygène de coupe et au gaz mélangé préchauffé de ne pas se mélanger lors de la coupe. L'extérieur de la tête du chalumeau est fileté et l'intérieur de la tête est conique. Le cône interne de la tête est étagé permettant ainsi l'alimentation en gaz préchauffé de la buse de coupe par les orifices extérieurs. L'oxygène de coupe peut circuler de façon continue au travers de l'orifice central de la buse vers le métal de base chauffé (voir la figure 6). Le filetage extérieur de la tête permet à un écrou de la buse de serrer une buse de coupe dans la tête conique. Cela permet de réaliser une jonction métal-métal solide et étanche au gaz.

## Buse de coupe

Il existe un grand nombre de types et dimensions de buses de coupe. Les buses de coupe maintiennent le mélange gazeux préchauffé et le flot d'oxygène de coupe séparés et apportent les caractéristiques précises de la flamme requise pour un type de coupe donné. Les buses sont dimensionnées en fonction de l'épaisseur du métal à couper. Par exemple, le numéro 000 pour une buse signifie qu'elle est dimensionnée pour couper une épaisseur de métal de 1,59 à 3,17 mm et le numéro 00 signifie qu'elle peut couper une épaisseur de métal de 3,17 à 6,35 mm. Pour de plus amples informations sur les dimensions des buses, reportez-vous aux tableaux de la Section 9.



### MISE EN GARDE

*Assurez-vous de toujours utiliser des équipements dimensionnés à la taille de la buse que vous avez choisie. Une buse avec trop de capacité pour l'équipement peut s'étrangler ou s'étouffer. Cela entraîne une surchauffe de la tête et un retour de flamme pourrait en résulter. N'utilisez que des buses, tuyaux de soudage et buses multiflammes authentiques des marques suivantes : Victor®, Cutskill® ou Firepower® afin de garantir l'étanchéité des branchements et l'équilibre des équipements.*

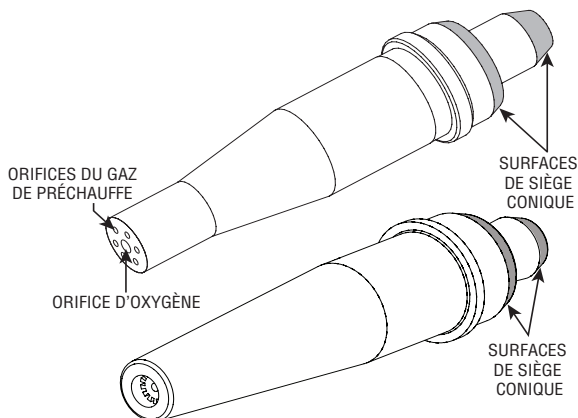


Figure 6 : Buse de coupe (1-1-101)

## Surfaces de siège conique

L'extrémité conique de la buse est usinée afin de correspondre à la tête de l'accessoire de coupe. Un écrou de la buse fixe la buse dans la tête. Les surfaces coniques forment une étanchéité métal sur métal (voir la figure 6). Inspectez souvent la tête et l'extrémité conique pour vérifier la présence de dommage ou d'usure.



### AVERTISSEMENT

*Une surface de siège endommagée de la buse ou la tête peut entraîner une situation dangereuse et causer un retour de flamme ou un retour de flamme soutenu. Cela pourrait endommager l'accessoire de coupe. Si la surface du siège d'une buse est endommagée, NE l'utilisez PAS. Jetez la buse endommagée. Si la tête doit être réparée, faites appel à un technicien de réparation de chalumeaux qualifié.*

## Orifices de préchauffe et orifices d'oxygène

Les buses de coupe sont soumises à de nombreux abus lors des coupes. Les scories peuvent éclabousser et coller à la buse de coupe bouchant et obstruant les passages au travers desquels le gaz doit circuler. Retirez les éclaboussements des orifices de la buse à l'aide de petites limes rondes (cure-buse).

### AVIS

*Un nettoyage répété peut affecter la configuration de la flamme et rendre la buse inappropriée pour le travail de précision.*

## Buse de brasage

La buse de soudage est généralement un ensemble constitué d'un coude à souder, un mélangeur de gaz et un écrou d'accouplement.

Il existe une gamme importante de types de buses pour les accessoires de la lance du chalumeau. Les utilisations typiques des buses sont le soudage, le brasage, le brasage tendre, la chauffe et le durcissement.

## Coude de brasage

Le coude à souder est un tube en cuivre en tellure qui a été estampé en fonction d'une dimension d'orifice spécifique au niveau de l'une de ses extrémités. Comme les buses de coupe, les buses de soudage ont un orifice calibré pour le soudage de différentes épaisseurs de métaux. Pour de plus amples informations sur les dimensions des buses, veuillez vous reporter aux tableaux de la Section 9.

Dans le processus de soudage par chalumeau, des scories peuvent éclabousser et boucher l'orifice de la buse. Retirez les scories de l'orifice à l'aide d'une lime ronde (cure-buse).

### AVIS

*Des nettoyages répétés peuvent modifier la dimension de l'orifice nécessitant alors un ajustement de l'alimentation en gaz.*

## Buses de chauffe multiflamme (Rosebuds)

La buse de chauffe multiflamme est essentiellement une grande buse de soudage (voir la figure 7). L'écrou d'accouplement et l'ensemble du mélangeur sont similaires d'un point de vue de conception aux buses de soudage. La tête multiflamme est usinée afin de pouvoir utiliser plusieurs flammes. Cela favorise une capacité de chauffe supplémentaire pour les applications nécessitant une chauffe importante.

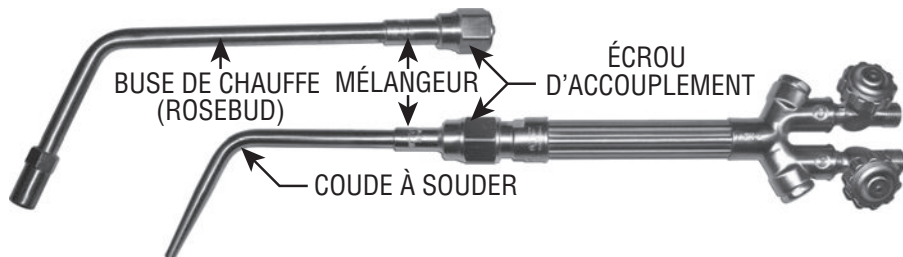


Figure 7 : Buse de soudage

## Mélangeur de gaz

L'extrémité cônica de soudage / chauffe est similaire à celle de l'accessoire de coupe. La différence étant que l'extrémité cônica de soudage / chauffe est conçue pour mélanger des gaz combustibles et l'oxygène et pas celle de l'accessoire de coupe. Lorsque l'oxygène rencontre le gaz combustible, un mélange d'homogène se crée. Ce mélange de gaz permet d'obtenir une flamme bien équilibrée. Comme l'extrémité cônica de l'accessoire de coupe, la buse de soudage / chauffe a deux joints toriques. Ils maintiennent la séparation des gaz avant que ceux-ci ne se rencontrent pour se mélanger. Ils permettent un scellé manuel du branchement de la buse de soudage et de la lance du chalumeau.

### **AVERTISSEMENT**

*Il doit toujours y avoir deux joints toriques sur l'extrémité cônica. Si l'un ou les deux joints toriques sont manquants ou endommagés, il y a risque de pré-mélange et de fuites de l'oxygène et des gaz combustibles. Cela peut entraîner un retour de flamme ou un retour de flamme soutenu dans la lance du chalumeau.*

## Écrou d'accouplement

L'écrou d'accouplement de la buse de soudage / chauffe est similaire, d'un point de vue de conception, à l'écrou d'accouplement de l'accessoire de coupe. Une bague de blocage dans l'écrou d'accouplement s'accouple avec une rainure vers l'avant du mélangeur de la buse de soudage, permettant ainsi à l'écrou de protéger l'extrémité cônica et les joints toriques (voir la figure 7). Examinez les joints toriques en tournant et poussant l'écrou d'accouplement du côté opposé de l'extrémité cônica.

### **MISE EN GARDE**

*N'utilisez que des lances de chalumeau, tuyaux de soudage et buses multiflammes authentiques des marques suivantes : Victor®, Cutskill® ou Firepower® afin de garantir l'étanchéité des branchements et l'équilibre des équipements.*

## **SECTION 5 : PRÉPARATION DE L'ÉQUIPEMENT POUR LE SOUDAGE**

### **5.01 BOUTEILLES**

Placez les bouteilles d'oxygène et de gaz combustible l'une à côté de l'autre là où elles seront utilisées. Bloquez-les correctement (voir la figure 8). Utilisez une chaîne pour les bloquer sur un chariot à bouteilles, un mur, un établi, un poteau, etc.



Figure 8 : Blocage des bouteilles sur un chariot



#### **MISE EN GARDE**

*Les bouteilles sont sous haute pression. Manipulez-les toujours avec soin. Ne laissez jamais les bouteilles tomber, se renverser, ni exposées à une chaleur excessive. Lorsque vous déplacez les bouteilles, assurez-vous que les bouchons de protection des robinets sont bien en place. Gardez les bouchons de protection là où vous pourrez facilement les trouver. Remettez les bouchons sur les bouteilles vides ou celles que vous n'utilisez pas.*

#### **Remarques importantes de sécurité**

- Gardez toujours les bouteilles correctement attachées en position verticale.
- Ne frappez pas, ne faites pas tomber ou ne chauffez pas les bouteilles ou robinets.
- Gardez toujours les bouchons de protection en place lorsque vous déplacez les bouteilles ou lorsque vous les entreposez qu'elles soient vides ou pleines.
- Marquez les bouteilles vides « vide » ou « MT ».
- Refermez entièrement les robinets des bouteilles vides.
- N'utilisez pas une bouteille si elle n'a pas d'étiquette d'identification.
- Refermez entièrement les robinets des bouteilles vides avant de retirer le détendeur.

## 5.02 DÉTENDEURS

1. Inspectez soigneusement le robinet de la bouteille, le filetage du détendeur et les surfaces d'ajustement pour la présence de traces d'huile, de graisse ou de saleté. N'essayez PAS les surfaces d'ajustement avec votre doigt. Assurez-vous que le détendeur a une pression nominale appropriée à la bouteille utilisée (voir la figure 9)



Figure 9 : Inspection de la bouteille et du robinet

### **AVERTISSEMENT**

*N'utilisez PAS le détendeur s'il y a présence d'huile, de graisse ou de pièces endommagées sur celui-ci, le robinet de la bouteille ou si le filtre d'entrée est manquant ou sale (voir la figure 9). Avisez votre fournisseur de gaz de cet état immédiatement. Faites nettoyer ou réparer le détendeur par un technicien qualifié.*

2. Ouvrez et fermez momentanément le robinet de la bouteille (c'est-à-dire effectuez une « purge »). Cela déloge tous les contaminants qui pourraient être présents.

### **MISE EN GARDE**

*N'ouvrez le robinet de la bouteille que très légèrement. Si le robinet est trop ouvert, la bouteille pourrait se renverser. Lors de la « purge » du robinet de la bouteille, NE vous tenez, NI ne laissez une personne se tenir debout directement en face du robinet ouvert. Tenez-vous derrière ou sur un côté. Purgez le robinet de la bouteille uniquement dans un endroit bien ventilé. Si une bouteille d'acétylène projette de la vapeur lors de la purge, laissez-la se reposer pendant 30 minutes. Puis essayez de nouveau de purger le robinet de la bouteille. Si le problème persiste, contactez votre fournisseur de gaz.*

### **MISE EN GARDE**

*N'utilisez le détendeur qu'avec le gaz et à la pression pour laquelle il est conçu. Ne MODIFIEZ jamais un détendeur pour l'utiliser avec un autre gaz.*



## PROCÉDURES DE RÉGLAGE ET D'UTILISATION SÉCURITAIRE

3. Avant de brancher le détendeur d'oxygène sur le robinet de la bouteille d'oxygène, inspectez soigneusement le régulateur pour vérifier la présence de filetages endommagés, de poussières, de saletés, de graisse, d'huile ou d'autres substances inflammables. Retirez la poussière et les saletés avec un chiffon propre. Assurez-vous que le filtre d'admission est propre et bien en place. Branchez le détendeur au robinet de la bouteille. Serrez fermement avec une clé.
4. Avant de brancher le détendeur de gaz combustible au robinet de la bouteille de gaz combustible, inspectez le détendeur comme dans l'étape trois. Serrez solidement à l'aide d'une clé dans la direction nécessaire au branchement particulier du gaz combustible utilisé.
5. Branchez le tuyau de soudage au raccord de sortie du détendeur.
6. Avant d'ouvrir le robinet de la bouteille, tournez la vis de réglage du détendeur dans le sens inverse des aiguilles d'une montre jusqu'à ce qu'il n'y ait pas de pression sur le ressort de réglage et que la vis tourne librement.

### Circulation dans les bouteilles

1. Assurez-vous qu'il n'y ait pas de pression sur le ressort de réglage et que la vis tourne librement. Tenez-vous debout de façon à ce que le robinet de la bouteille soit entre vous et le détendeur.

### AVERTISSEMENT

*Ne vous placez, ni ne laissez une personne se tenir debout devant ou derrière un détendeur lors de l'ouverture du robinet de la bouteille. Tenez-vous toujours debout de façon à ce que la bouteille soit entre vous et le détendeur (voir la figure 10.)*

2. Ouvrez lentement et soigneusement le robinet de la bouteille d'oxygène jusqu'à ce que la pression maximum apparaisse sur le manomètre haute pression. Ouvrez maintenant le robinet de la bouteille entièrement afin de sceller sa garniture d'étanchéité.
3. Ouvrez doucement de la même façon le robinet de la bouteille de gaz.

### MISE EN GARDE

*Ouvrez le robinet de la bouteille d'acétylène environ trois quarts de tour mais pas plus d'un tour et demi. Pour tous les autres gaz combustibles, ouvrez la bouteille entièrement. Gardez la clé, si une est nécessaire, sur le robinet de la bouteille afin de pouvoir rapidement fermer le robinet en cas de présence d'une situation d'urgence.*



Figure 10 : Ouverture du robinet de la bouteille

## 5.03 TUYAUX DE SOUDAGE

1. Branchez le tuyau d'oxygène au détendeur d'oxygène. Serrez le branchement solidement à l'aide d'une clé.
2. Ajustez le détendeur d'oxygène afin de permettre à 21 à 34 kPa de circuler dans le tuyau. Laissez l'oxygène circuler 5 à 10 secondes afin de retirer les poussières, saletés ou agents conservateurs du tuyau. Fermez le débit d'oxygène.
3. Fixez et nettoyez le tuyau de gaz combustible de la même façon.

### Remarques importantes de sécurité

- Assurez-vous que les robinets de la bouteille et les branchements du détendeur sont dépourvus de poussières, saletés ou graisse.
- Si vous détectez de l'huile, de la graisse ou des dommages sur les robinets de la bouteille, ne l'utilisez PAS. Avisez le fournisseur de bouteilles immédiatement.
- Si vous détectez de l'huile, de la graisse ou des dommages sur le détendeur, ne l'utilisez PAS. Faites nettoyer ou réparer le détendeur par un technicien de réparation qualifié.
- Ne vous placez, ni ne laissez une personne se tenir debout directement devant ou derrière un détendeur lors de l'ouverture du robinet de la bouteille. Tenez-vous debout de façon à ce que le robinet de la bouteille soit entre vous et le détendeur.
- Ouvrez toujours les robinets de la bouteille très lentement et avec précaution.
- Vérifiez toujours la présence de fuites sur les branchements du détendeur et du robinet de la bouteille.



### AVERTISSEMENT

*Assurez-vous de nettoyer les tuyaux dans un endroit bien ventilé. Les fuites de gaz créent un risque d'explosion ou d'incendies.*

*Gardez les tuyaux de soudage éloignés de toutes chutes de métal, scories ou étincelles.*

*Ne laissez jamais les tuyaux se recouvrir d'huile, de graisse ou de saleté. Cela risquerait de cacher des zones endommagées dans les tuyaux.*

*Examinez les tuyaux avant de les brancher sur la lance du chalumeau ou sur les détendeurs. Si vous remarquez des coupures, des brûlures, des zones usées ou des raccords endommagés, réparez ou remplacez le tuyau.*

## 5.04 MANCHE DE CHALUMEAU

Étant donné que les accessoires de coupe, les tuyaux de soudage et les tuyaux de chauffe sont tous branchés sur une lance de chalumeau, celui-ci est probablement la pièce la plus utilisée dans un atelier de soudage. Assurez-vous de toujours protéger la lance du chalumeau des dommages ou abus potentiels.

## PROCÉDURES DE RÉGLAGE ET D'UTILISATION SÉCURITAIRE

1. Inspectez la tête de la lance du chalumeau, les branchements des robinets et tuyaux pour la présence d'huile, de graisse ou de pièces endommagées.
2. Inspectez les branchements du tuyau de la même façon. Si vous détectez de l'huile, de la graisse ou des dommages, NE les utilisez PAS.
3. Inspectez la lance du chalumeau. Les surfaces de siège conique de la tête doivent être en bon état. En cas d'encoches ou de sièges brûlés, faites réusinier le siège. Si vous utilisez un chalumeau avec de mauvaises surfaces de siège, vous risquez un retour de flamme.
4. Si vous utilisez des clapets anti-retour externes ou des intercepteurs de retour de flamme, observez les instructions d'installation du fabricant.
5. Voir l'AVIS de la Section 4.03 et la mise en garde de la Section 4.03 pour l'utilisation de clapets anti-retour et d'intercepteurs de retour de flamme d'appoint.
6. Fixez le tuyau de soudage sur la lance du chalumeau et serrez fermement à l'aide d'une clé.

Victor® recommande fortement l'utilisation de clapets anti-retour sur la lance du chalumeau, si celui n'en possède pas déjà des intégrés. Les clapets anti-retour réduisent la possibilité de mélange des gaz dans les tuyaux et détendeurs qui risquent d'entraîner un retour de flamme. Un retour de flamme peut se propager dans les tuyaux, détendeurs ou bouteilles, ce qui pourrait endommager l'équipement ou blesser l'opérateur. Victor® recommande également l'utilisation d'intercepteurs de retour de flamme si la lance du chalumeau n'en possède pas déjà des intégrés, afin de réduire encore plus la possibilité de retour de flamme (voir l'AVIS Section 4.03).

### 5.05 BUSE DE BRASAGE

1. Inspectez l'extrémité conique, l'écrou d'accouplement, les joints toriques et la buse de soudage pour la présence de dommages, d'huile ou de graisse. Ne l'utilisez pas si vous constatez des dommages ou s'il y a des contaminants.



*Il doit toujours y avoir deux joints toriques sur l'extrémité conique. Si l'un ou les deux joints toriques sont manquants ou endommagés, il y a risque de pré-mélange de l'oxygène et des gaz combustibles. Cela peut entraîner un retour de flamme soutenu dans la lance du chalumeau.*

2. Branchez la buse de soudage sur la lance du chalumeau. Serrez l'écrou d'accouplement MANUELLEMENT uniquement. L'utilisation d'une clé risquerait d'endommager les joints toriques et créer un défaut d'étanchéité.

#### Buses de chauffe multiflamme (Rosebuds)

Les buses de chauffe multiflamme sont réglées exactement de la même façon que les buses de soudage. Observez les procédures de réglage et instructions de sécurité décrites ci-dessus pour la buse de soudage.



## MISE EN GARDE

*N'étranglez ni n'étouffez jamais une buse de soudage ou une buse de chauffe multiflamme. Cela entraînerait une surchauffe de la buse et il pourrait en résulter un retour de flamme ou un retour de flamme soutenu. S'il devait se produire un retour de flamme soutenu (si la flamme claque et disparaît et/ou vous entendez un sifflement, cela signifie que la flamme brûle à l'intérieur de la buse), fermez immédiatement le robinet d'oxygène de la lance du chalumeau. Puis, fermez le robinet de gaz. Laissez la buse se refroidir avant de l'utiliser. Si un retour de flamme se renouvelle, faites vérifier votre chalumeau par un technicien qualifié avant de l'utiliser de nouveau.*

### Recherche de fuites dans le système

Vous DEVEZ effectuer une recherche de fuites dans le système avant d'allumer le chalumeau. Pour la recherche de fuites effectuez les tâches suivantes.

1. Assurez-vous que les robinets d'oxygène et de gaz du chalumeau sont fermés.
  2. Ouvrez le robinet de la bouteille d'oxygène et réglez le détendeur d'oxygène sur 140 kPa.
  3. Ouvrez le robinet de gaz de la bouteille et réglez le détendeur de gaz sur 70 kPa.
  4. Fermez les deux robinets d'oxygène et de gaz de la bouteille.
  5. Tournez la vis de réglage d'un demi-tour dans le sens inverse des aiguilles d'une montre.
  6. Observez les manomètres des deux détendeurs pendant cinq minutes. Si les mesures des manomètres ne changent pas, cela signifie que le système est étanche. S'il y a une fuite, utilisez une solution de détection de fuite approuvée afin de la situer.
- Si la pression du manomètre d'entrée diminue, il y a une fuite au niveau du robinet de la bouteille ou du raccord d'entrée. Serrez le raccord d'entrée après avoir relâché la pression du détendeur. Si le raccord d'entrée fuit toujours, essayez une autre bouteille, si vous constatez la même fuite, faites réparer le détendeur par un technicien qualifié.
  - Ne serrez jamais un robinet de la bouteille.
  - Si le robinet de la bouteille fuit, retirez le détendeur de la bouteille, placez la bouteille à l'extérieur et avisez immédiatement votre fournisseur de gaz. Si la pression de la jauge à pression chute, il y a une fuite dans le raccord de sortie du détendeur, le tuyau, le raccord d'entrée du chalumeau ou au niveau des robinets de la lance du chalumeau. Serrez le raccord de sortie du détendeur ainsi que le raccord d'entrée de la lance du chalumeau après avoir relâché la pression du système.
  - Si les raccords fuient toujours, faites réparer le détendeur ou la lance du chalumeau par un technicien qualifié.
  - Si les tuyaux fuient remplacez-les.
  - Si la pression du manomètre haute pression chute en même temps que la jauge de pression augmente, il y a une fuite dans le siège du détendeur. Faites réparer le détendeur par un technicien qualifié.
7. Après avoir effectué une recherche de fuites dans le système, ouvrez les robinets de la bouteille et poursuivez.



## AVERTISSEMENT

*Si vous avez constaté une fuite dans le système, où qu'elle soit, ne l'utilisez plus et faites-le réparer. N'utilisez PAS des équipements qui fuient. N'essayez pas de réparer un système qui fuit si celui-ci est sous pression. Effectuez toutes les opérations de soudage dans un endroit bien ventilé afin d'aider à éviter la concentration de fumées inflammables ou toxiques.*

## 5.06 INSTALLATION, ALLUMAGE DU CHALUMEAU ET RÉGLAGE DE LA FLAMME

1. Vérifiez l'épaisseur des métaux à souder. Préparez le métal comme la figure 13. Reportez-vous au tableau de sélection des buses de soudage de la Section 9 afin de déterminer la bonne dimension de buse ainsi que la pression du détendeur nécessaires à ce type de travail.
2. Ouvrez le robinet d'oxygène de la lance du chalumeau et réglez le détendeur d'oxygène sur la pression nécessaire. Puis fermez le robinet d'oxygène de la lance du chalumeau ; cela permet de purger le tuyau d'oxygène.
3. Ouvrez le robinet de gaz de la lance du chalumeau et réglez le détendeur de gaz sur la pression nécessaire. Puis fermez le robinet de gaz de la lance du chalumeau ; cela permet de purger le tuyau de gaz.



## AVERTISSEMENT

*Si la lance du chalumeau et les tuyaux sont déjà branchés sur le détendeur, vous DEVEZ quand même purger le système après chaque arrêt dans un endroit bien ventilé. Ouvrez le robinet d'oxygène d'un demi-tour. Laissez le gaz circuler pendant dix secondes pour les buses de taille trois ou inférieure et 5 secondes pour celles de taille 4 ou plus pour chaque longueur de 7 mètres et demi de tuyaux du système. Fermez le robinet d'oxygène et purgez le système de gaz de la même façon.*

4. Portez des lunettes de sécurité recommandées (teintées de catégorie 5 ou plus) avec des verres teintés afin de protéger vos yeux contre la lumière. Portez des vêtements de protection selon les exigences (voir « Vêtements de sécurité » Section 2.02).

## AVIS

*Les instructions suivantes concernent les procédures de réglage du chalumeau pour l'acétylène uniquement. Contactez votre fournisseur en gaz pour les instructions d'utilisation des autres gaz combustibles.*

## GUIDE DE SOUDAGE, DÉCOUPE ET CHAUFFE

5. Tenez le chalumeau dans une main et l'allume-gaz à étincelle dans l'autre. Assurez-vous que l'allume-gaz à étincelle est éloigné de la buse et n'obstrue pas le débit du gaz.

**AVIS :** Les gaz combustibles de recharge tendent à « flotter » lorsqu'ils sont allumés. L'une des méthodes les plus sécuritaires d'allumer un gaz combustible de recharge consiste à placer le bec (coupage, chauffage ou brasage) à un angle de 45 degrés contre la pièce de travail. Ouvrez le robinet de gaz du chalumeau d'environ  $\frac{1}{4}$  de tour et enflammez le gaz combustible. Ouvrez le robinet d'environ  $\frac{3}{4}$  de tour cette fois-ci et ajoutez l'oxygène alors que le bec demeure à 45 degrés contre la pièce de travail. Soulevez le chalumeau et réglez-le pour obtenir une flamme neutre. N'ouvrez et n'allumez jamais le gaz combustible et de l'oxygène en même temps.

6. Ouvrez le robinet de gaz du chalumeau d'environ un huitième de tour et allumez le gaz.



### MISE EN GARDE

Ne dirigez pas la flamme vers les personnes, les équipements ou tous matériaux inflammables.

7. Continuez d'ouvrir le robinet de gaz jusqu'à ce que la flamme ne fume plus (voir la figure 11).

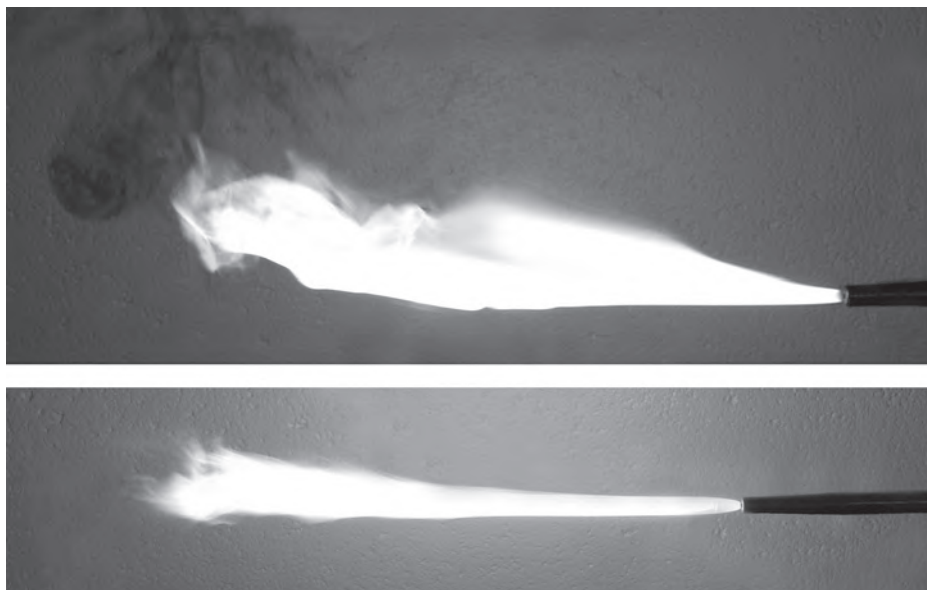


Figure 11 : Réglage de la flamme

8. Ouvrez le robinet d'oxygène du chalumeau jusqu'à l'apparition d'une flamme neutre vive. (voir la figure 12).



### MISE EN GARDE

Si la flamme produit trop de chaleur pour le métal à souder, Ne diminuez PAS les pressions, ne fermez pas les robinets, UTILISEZ UNE BUSE PLUS PETITE.

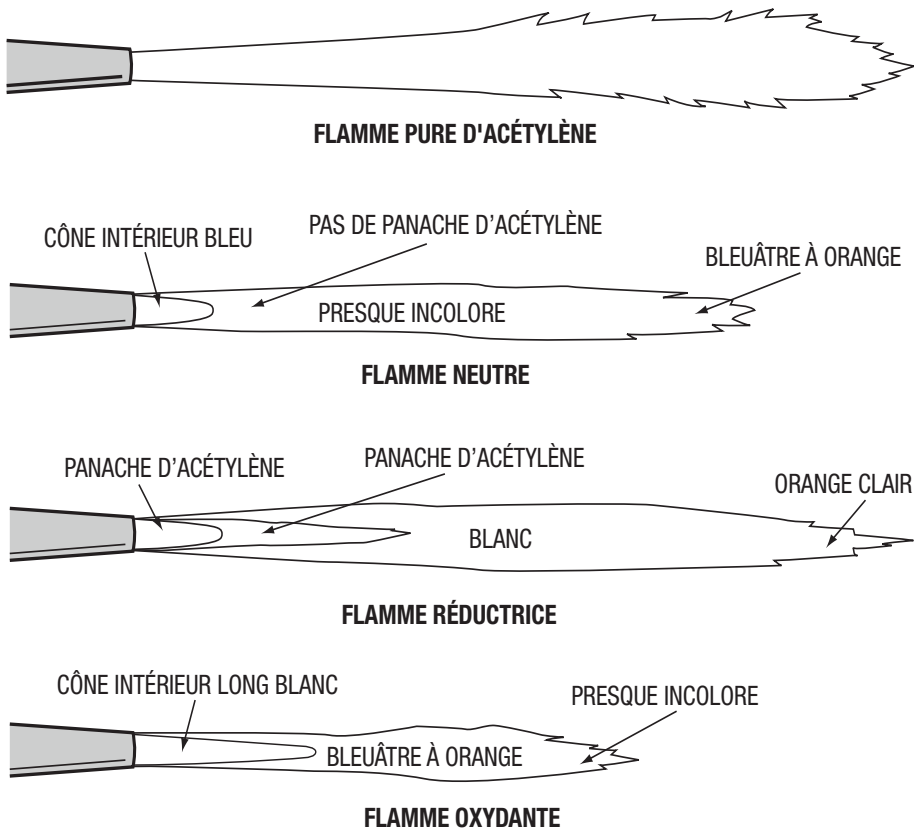


Figure 12 : Flammes de soudage à l'acétylène

## AVIS

Les gaz combustibles, comme le propane, le propylène, le MAPP, le gaz naturel etc., produisent des flammes de différentes teintes de bleu. Pour obtenir une flamme neutre à l'aide d'un de ces gaz combustibles, réduisez-la à son cône. Le réglage neutre consiste en une flamme au cône régulier d'un bleu profond. Une fois ce réglage effectué, le fait d'accroître la quantité d'oxygène ou de diminuer la quantité de combustible pâlit la couleur de la flamme; celle-ci devient alors oxydante.



## AVERTISSEMENT

S'il devait se produire un retour de flamme soutenu (un bruit aigu lorsque la flamme brûle à l'intérieur de la buse de soudage), fermez immédiatement le robinet d'oxygène de la lance du chalumeau. Puis, fermez le robinet de gaz. Laissez le chalumeau et la buse se refroidir avant de tenter de les essayer de nouveau. Si un retour de flamme se renouvelle, faites réparer l'appareil par un technicien qualifié avant de l'utiliser de nouveau.

## SECTION 6: PROCÉDURES DE SOUDAGE

Lors du soudage au chalumeau, deux métaux sont unis en fondant ou fusionnant leurs surfaces attenantes. Cela se fait en dirigeant la flamme de gaz au-dessus des métaux jusqu'à formation d'un bain de fusion. Tout matériau étranger dans le bain de fusion modifie la composition des métaux et l'affaiblit. Une baguette d'apport est alors introduite dans le bain afin de faciliter aux deux métaux de se fusionner ensemble.

### 6.01 PRÉPARATION DES MÉTAUX À SOUDER

1. Nettoyez les surfaces des métaux à souder. Il est nécessaire de retirer tout dépôt calcaire, rouille, saleté, peinture, graisse et autre matériau étranger.
2. Certains métaux plus épais peuvent nécessiter une préparation supplémentaire. Les métaux de base d'épaisseur inférieure ou égale à 3,18 mm n'ont pas besoin de chanfrein (voir la figure 13 ainsi que la figure 15).
3. Placez le métal à souder sur une table de travail inflammable et déterminez où le pointage sera nécessaire.

#### PRÉPARATIONS SUPPLÉMENTAIRES

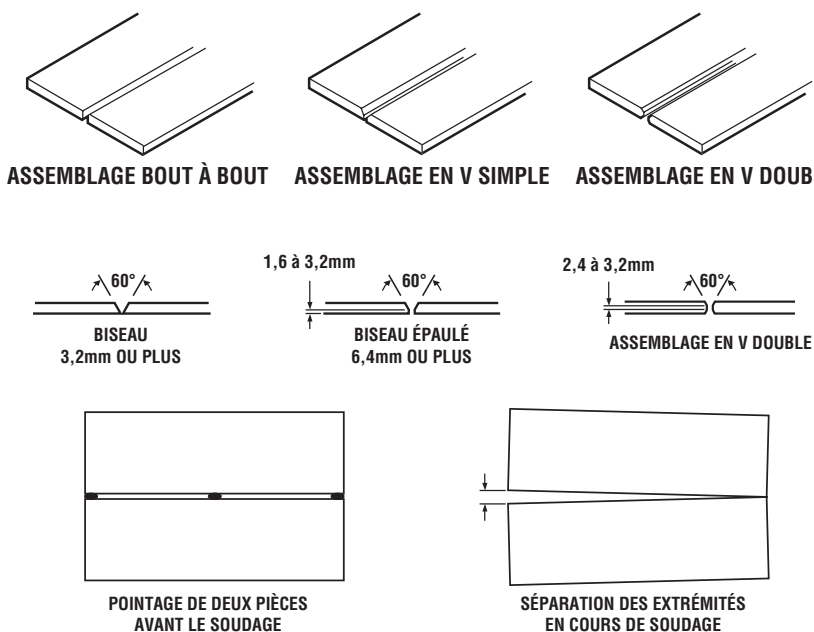


Figure 13 : Préparation du métal

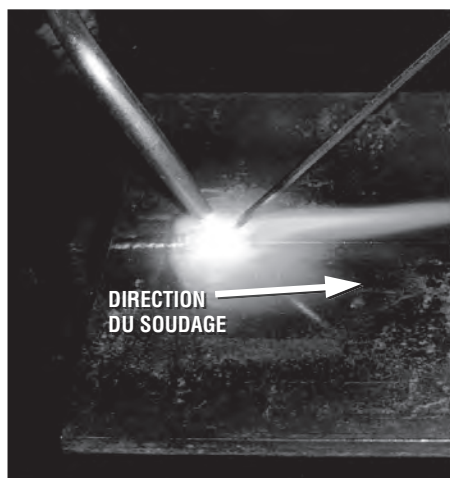


## 6.02 EMPÊCHER LA DÉFORMATION DES MÉTAUX

1. Commencez par souder par point ensemble les extrémités des deux morceaux de métal avant de souder. Pour les plus longues pièces de métal vous devez souder par point tous les quelques centimètres le long du joint (voir la figure 13).
2. Les pièces plus longues peuvent également nécessiter un espace de pénétration supplémentaire, Victor® recommande 1,59 à 3,18 mm.

## 6.03 TECHNIQUES DE SOUDAGE VERS L'AVANT ET VERS L'ARRIÈRE

Deux techniques sont utilisées pour le soudage au chalumeau, en avant et en arrière (voir la figure 14). La technique de soudage vers l'avant est recommandée pour les matériaux d'épaisseur inférieure ou égale à 3,18 mm en raison du meilleur contrôle du bain de fusion de petite taille. Le soudage vers l'arrière convient mieux, en général, aux matériaux d'épaisseur supérieure à 3,18mm. Vous devriez, normalement, obtenir une vitesse plus élevée et une meilleure fusion au niveau de la racine du soudage avec le soudage en arrière.



**SOUDAGE EN AVANT**



**SOUDAGE EN ARRIÈRE**

Figure 14 : Épaisseur de métal de 3,18 mm

Pour la technique de soudage vers l'avant, l'apport de métal précède la buse dans la direction du soudage. La flamme est dirigée dans la même direction que le soudage. Elle est dirigée vers le bas à un angle qui préchauffe l'arête du joint. Vous pouvez manipuler la buse et l'apport de métal.

Pour la technique de soudage vers l'arrière, la buse du chalumeau précède l'apport de métal dans la direction du soudage. La flamme est dirigée vers l'arrière en direction du bain de fusion et du soudage déjà effectué. L'extrémité de l'apport de métal est située dans la flamme entre la buse et le soudage.

## 6.04 DÉBUT ET FIN DU SOUDAGE

Le soudage bout à bout à l'avant avec une baguette d'apport de métal est l'une des façons les plus courantes de réaliser un joint. Les procédures de base du soudage bout à bout peuvent être suivies pour tous les autres types de joint :

1. Soudez par point ou fusionnez les métaux de base aux intervalles prédéterminés.
2. Maintenez la buse de soudage à un angle d'environ 45° par rapport au joint (voir la figure 15).
3. Déplacez la buse du chalumeau au-dessus des arêtes au début du joint. Faites tourner la flamme à proximité du métal avec un mouvement circulaire ou semi-circulaire jusqu'à ce que le métal de base forme un petit bain de fusion en surface.
4. Faites tremper et ressortir l'extrémité de l'apport de métal dans le bain de fusion, cela permet de fondre l'apport de métal et augmente le volume du bain de fusion.
5. Continuez le mouvement de trempage de l'apport de métal dans le bain. Puis déplacez le chalumeau d'avant en arrière au travers du joint.
6. Avancez la buse du chalumeau à une vitesse d'environ un seizième de l'apport de métal qui s'ajoute au bain jusqu'à la fin de la réalisation du joint.
7. Puisque l'angle du chalumeau préchauffe les métaux situés à l'avant du soudage, la dernière moitié du soudage est capitale. Augmentez l'apport de métal supplémentaire afin de garantir une surface de soudage lisse. Reportez-vous à la figure 16 pour les caractéristiques visuelles des bons et mauvais joints de soudure.

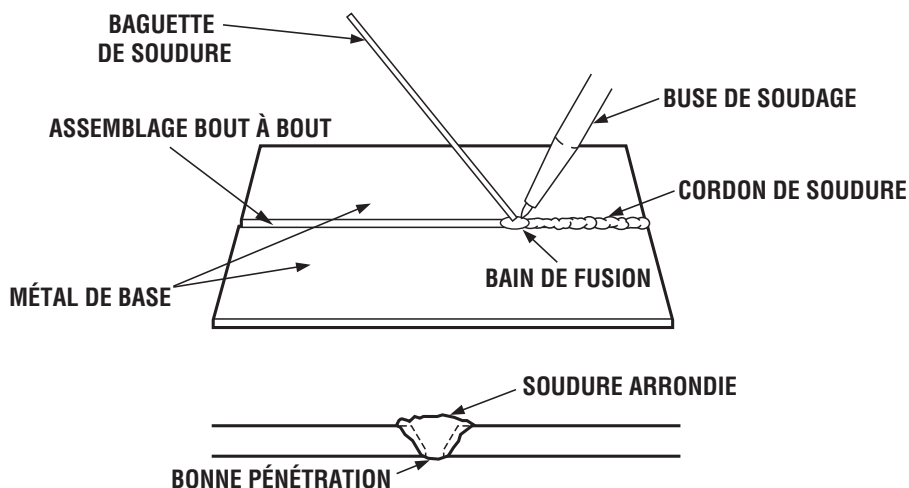


Figure 15a : Début et fin d'un soudage

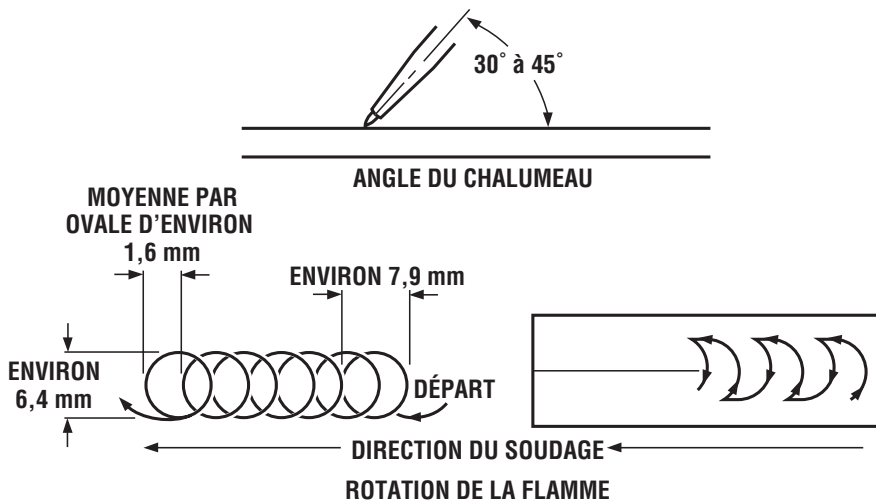


Figure 15b : Début et fin d'un soudage

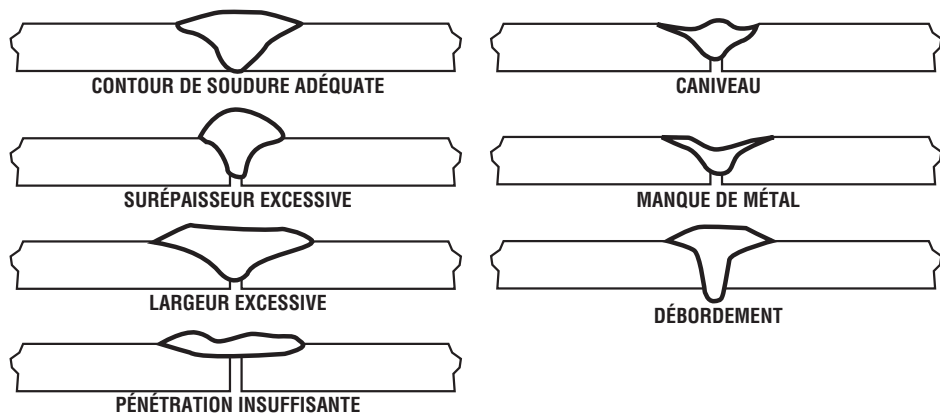


Figure 16 : Caractéristiques des bons et mauvais joints de soudure

## 6.05 BRASAGE AU CHALUMEAU ET SOUDOBRESAGE

Le brasage est un procédé caractérisé par la chauffe du métal de base à une température supérieure à 450 °C, tout en restant au-dessous du point de fusion des métaux. En règle générale, la plupart des métaux peuvent être assemblés à l'aide de brasage simple tant qu'un apport de métal ou un flux adéquat est utilisé.

### AVIS

*Assurez-vous de toujours utiliser un apport de métal ou flux approprié pour le travail à réaliser.*

Contactez votre fournisseur Victor® local pour les tableaux de données des divers apports de métal et flux disponibles. Le flux est nécessaire à la préparation des métaux pour les unir.

Comme le soudage à l'arc, le brasage utilise un métal fondu pour joindre deux morceaux de métal. Le métal est ajouté lors du procédé à un point de fusion plus bas que celui de la pièce à souder. Le brasage utilise des métaux avec un point de fusion plus élevé (450 °C). Le brasage ne fond pas le métal de la pièce à souder. Le procédé de brasage ne crée pas, normalement, de retrait ou de points faibles dans le métal de la pièce à souder comme les autres applications de soudage peuvent le faire. Le brasage peut produire un joint fort et est souvent utilisé pour joindre des métaux autre que l'acier, tels le laiton.

### Préparation des métaux à braser

Une opération de brasage réussie peut dépendre de la proximité des tolérances du joint. En général, le jeu est entre 0,025 et 0,25 mm.



### MISE EN GARDE

*Effectuez le brasage dans un endroit bien ventilé. Des émanations toxiques peuvent être produites par le procédé de brasage. Reportez-vous aux feuilles de données de sécurité (FDS) pour la baguette de brasage et le flux afin d'assurer que les mesures de sécurité adéquates sont en place avant de souder.*

### Préparation de l'équipement pour les applications de brasage

1. Nettoyez les surfaces avant le brasage. Il est nécessaire de retirer la rouille, les saletés, la peinture et la graisse. Après avoir nettoyé les pièces, assemblez ou fixez les joints pour le brasage.
2. Reportez-vous aux tableaux de données des buses de soudage des pages 62 et 71 afin de vous aider à sélectionner la bonne dimension de buse de soudage et les bons réglages de pression du détendeur.
3. Observez toutes les procédures de réglage et instructions de sécurité pour la préparation des buses de soudage et de chauffe.
4. Observez toutes les procédures de réglage et instructions de sécurité pour la préparation des bouteilles et détendeurs.

### Brasage de tôles d'acier

Les procédures de brasage suivantes décrites concernent le brasage de bandes de tôles d'acier. Néanmoins, les techniques peuvent être utilisées dans toutes les applications de brasage.

1. Chauffez l'extrémité de la baguette de brasage et trempez-la dans le flux. Une partie du flux adhère à la baguette chauffée.

## AVIS

*Il est possible que certains baguettes aient déjà une couche de flux.*

2. Préchauffez le métal de base jusqu'à obtenir une couleur rouge matée. Si vous chauffez le métal de base à une température plus élevée que cela, il risque de se former des oxydes à la surface.
3. Faites toucher la baguette couverte de flux au métal chaud. Laissez une partie du flux se fondre et réagir avec le métal de base. Le flux fondu réagit et nettoie chimiquement le métal de base.
4. Faites fondre des petites quantités de la baguette couverte de flux lorsque vous brasez. Si la baguette se déplace librement et « s'étame » (se colle au métal de base chauffé), vous avez atteint la température correcte.
5. Gardez cette température en déplaçant continuellement la flamme sur le métal. Continuez de tremper la baguette dans le flux. Ajoutez suffisamment de baguette au bain de fusion afin d'augmenter la taille du cordon.
6. Continuez à étamer et à augmenter le cordon jusqu'à recouvrir la partie désirée.

### **Après la réalisation de toutes les opérations de soudage et brasage**

1. Fermez le robinet d'oxygène du chalumeau. Puis, fermez le robinet de gaz du chalumeau. Assurez-vous de ne pas fermer en premier le robinet de gaz, cela risquerait de créer un bruit de claquement. Ce bruit de claquement renvoie de la suie de carbone dans le chalumeau. Celle-ci peut partiellement boucher les passages de gaz et les intercepteurs de retour de flamme.
2. Fermez les deux robinets de la bouteille.
3. Ouvrez le robinet d'oxygène de la lance du chalumeau. Relâchez la pression du système et puis, fermez le robinet d'oxygène du chalumeau.
4. Tournez la vis de réglage de pression du détendeur d'oxygène dans le sens inverse des aiguilles d'une montre jusqu'à ce que le ressort de la vis n'exerce plus de pression.
5. Ouvrez le robinet de gaz du chalumeau et relâchez la pression du système. Fermez le robinet de gaz du chalumeau.
6. Tournez la vis de réglage de pression du détendeur de gaz combustible dans le sens inverse des aiguilles d'une montre jusqu'à ce que le ressort de la vis n'exerce plus de pression.
7. Vérifiez les manomètres d'entrée après quelques minutes afin de vous assurer que les robinets de la bouteille sont entièrement fermés et qu'il ne reste aucune pression dans le système.

## SECTION 7: PRÉPARATION DE L'ÉQUIPEMENT POUR LA COUPE

Le procédé de coupe au chalumeau consiste à préchauffer le point de départ du métal à couper jusqu'à obtention de la température de combustion rouge vif. Dès obtention de la température de combustion, le flux d'oxygène de coupe est introduit. Cela enflamme le métal et entraîne des scories (résidus oxydés). La coupe au chalumeau peut être appliquée à l'acier au carbone ordinaire, les aciers faiblement alliés et quelques-uns des métaux ferreux. La coupe des métaux non ferreux, des aciers inoxydables et de la fonte, en général, ne se fait pas au chalumeau.



### MISE EN GARDE

*N'utilisez que des lances de chalumeau, des accessoires de coupe et des buses de coupe authentiques des marques suivantes : Victor®, Cutskill® ou Firepower® afin d'assurer des branchements étanches et l'équilibre des équipements.*

## 7.01 PRÉPARATION POUR LES APPLICATIONS DE COUPE

1. Inspectez l'extrémité conique, l'écrou d'accouplement, et la tête du chalumeau pour la présence de dommages, d'huile ou de graisse. Inspectez également l'extrémité conique pour vérifier si des joints toriques sont endommagés ou manquants.



### AVERTISSEMENT

*Si vous constatez de l'huile, de la graisse et des dommages, N'UTILISEZ PAS le chalumeau tant qu'il n'a pas été nettoyé ou réparé par un technicien qualifié. Les joints toriques de l'extrémité conique permettent la séparation continue de l'oxygène et des gaz combustibles. Si l'un ou les deux joints toriques sont manquants, il y a risque de pré-mélange de l'oxygène et des gaz combustibles. Cela peut entraîner un retour de flamme soutenu dans la lance du chalumeau et de l'accessoire de coupe.*

2. Inspectez la buse de coupe et la tête de l'accessoire de coupe. Toutes les surfaces de siège conique de la tête doivent être en bon état. Jetez les buses de coupe endommagées. En cas d'encoques, de brûlures ou de sièges brûlés, faites réusinier la tête du chalumeau. Si vous utilisez un accessoire de coupe avec de mauvaises surfaces de siège, vous risquez un retour de flamme ou un retour de flamme soutenu.



### AVERTISSEMENT

*Si les surfaces de siège conique de la buse de coupe sont endommagées (voir la figure 6), Ne l'utilisez PAS. Des surfaces de siège en mauvais état peuvent causer un retour de flamme ou un retour de flamme soutenu.*

3. Inspectez les orifices d'oxygène de coupe et de préchauffe de la buse. Des scories peuvent se coller sur ou dans ces orifices. Si ces trous sont bouchés ou obstrués, nettoyez-les à l'aide d'un cure-buse approprié.
4. Insérez la buse dans la tête de l'accessoire de coupe. Serrez l'écrou de la buse solidement à l'aide d'une clé (couple de 20 à 27 N.m) (voir la figure 17).



Figure 17 : Serrage de l'écrou de la buse

5. Branchez l'accessoire de coupe à la lance du chalumeau et serrez suffisamment l'écrou d'accouplement manuellement. N'utilisez PAS de clé car cela risquerait d'endommager les joints toriques et donc de créer une mauvaise étanchéité.
6. Reportez-vous aux tableaux de débits des buses pour les bonnes dimensions des buses de coupe, les pressions des détendeurs et les vitesses de déplacement (voir la Section 9).
7. Observez les procédures de réglage et instructions de sécurité de la bouteille et du détendeur.
8. Ouvrez entièrement le robinet d'oxygène de la lance du chalumeau.
9. Ouvrez le robinet d'oxygène de préchauffe de l'accessoire de coupe et ajustez le détendeur d'oxygène sur la pression désirée. Cela permet de purger le tuyau d'oxygène.
10. Fermez le robinet d'oxygène de préchauffe.
11. Ouvrez le robinet de gaz de la lance du chalumeau et ajustez le détendeur de gaz sur la pression nécessaire. Cela permet de purger le tuyau de gaz.
12. Fermez le robinet de gaz de la lance du chalumeau.
13. Appuyez momentanément sur le levier d'oxygène de coupe afin de purger le passage d'oxygène de coupe de l'accessoire de coupe.

### **AVERTISSEMENT**

*Si la lance du chalumeau et les tuyaux sont déjà branchés sur le détendeur, vous DEVEZ quand même purger le système après chaque arrêt. Ouvrez le robinet d'oxygène d'un demi-tour. Laissez le gaz circuler pendant dix secondes pour les buses de taille 3 et inférieure et 5 secondes pour celles de taille 4 ou plus pour chaque longueur de 7 mètres et demi de tuyaux du système. Ouvrez le robinet d'oxygène et purgez le système de gaz de la même façon.*

## AVIS

*Portez toujours des vêtements de protection et une protection oculaire adaptée afin de protéger vos yeux de la lumière infra-rouge (voir « Équipements de sécurité », Section 2.02).*

14. Ouvrez le robinet de gaz de la lance du chalumeau environ un huitième de tour et enflammez le gaz à l'aide d'un allume-gaz à étincelle. Assurez-vous que l'allume-gaz à étincelle est éloigné de la buse et n'obstrue pas le débit du gaz.

**AVIS :** *Les gaz combustibles de recharge tendent à « flotter » lorsqu'ils sont allumés. L'une des méthodes les plus sécuritaires d'allumer un gaz combustible de recharge consiste à placer le bec (coupage, chauffage ou brasage) à un angle de 45 degrés contre la pièce de travail. Ouvrez le robinet de gaz du chalumeau d'environ ¼ de tour et enflammez le gaz combustible. Ouvrez le robinet d'environ ¾ de tour cette fois-ci et ajoutez l'oxygène alors que le bec demeure à 45 degrés contre la pièce de travail. Soulevez le chalumeau et réglez-le pour obtenir une flamme neutre. N'ouvrez et n'allumez jamais le gaz combustible et de l'oxygène en même temps.*

15. Continuez d'augmenter l'alimentation en gaz de la lance du chalumeau jusqu'à ce que la flamme s'arrête de fumer.
16. Ouvrez doucement le robinet d'oxygène de préchauffe de l'accessoire de coupe jusqu'à obtention d'une flamme de préchauffe avec un cône intérieur bien défini.
17. Appuyez sur le levier d'oxygène de coupe. Si nécessaire, réajustez légèrement les flammes de préchauffe sur une flamme neutre en augmentant l'oxygène de préchauffe de l'accessoire de coupe jusqu'à ce que les flammes de préchauffe soient de nouveau neutres. Si les flammes de préchauffe ne sont pas de la même taille et si l'oxygène n'est pas droit, éteignez le chalumeau et laissez-le refroidir, puis nettoyez la buse.



## AVERTISSEMENT

*S'il devait se produire un retour de flamme soutenu (la flamme disparaît et/ou il se produit un bruit aigu car la flamme brûle à l'intérieur de l'accessoire de coupe), fermez immédiatement le robinet d'oxygène de préchauffe de l'accessoire de coupe. Puis, fermez le robinet de gaz de la lance du chalumeau. Laissez l'accessoire de coupe se refroidir avant d'essayer de l'enflammer de nouveau. Si un retour de flamme se renouvelle, faites vérifier votre chalumeau par un technicien qualifié en réparation avant de l'utiliser de nouveau.*

## AVIS

*Inspectez les zones où les scories et étincelles peuvent tomber. Des incendies et des explosions graves sont causés par une mauvaise utilisation du chalumeau. Prenez toutes les précautions possibles. Ayez des extincteurs à portée de main. Retirez ou protégez les substances inflammables, y compris les tuyaux d'oxygène et de gaz avant de démarrer votre travail. Reportez-vous à la figure 23 pour une représentation visuelle de la procédure recommandée pour une coupe au chalumeau efficace.*

18. Tenez confortablement avec les deux mains l'accessoire de coupe et la lance du chalumeau. Stabilisez le chalumeau et placez l'extrémité des flammes de préchauffe à environ 6 mm du métal de base.



## PROCÉDURES DE RÉGLAGE ET D'UTILISATION SÉCURITAIRE

19. Dirigez la flamme de préchauffe à l'endroit où la coupe doit commencer (voir la figure 18). Avant que la coupe ne puisse commencer, préchauffez le point de départ du métal jusqu'à obtention de la température de combustion rouge vif. Lorsque le point rouge apparaît, appuyez doucement et complètement sur le levier d'oxygène de coupe.

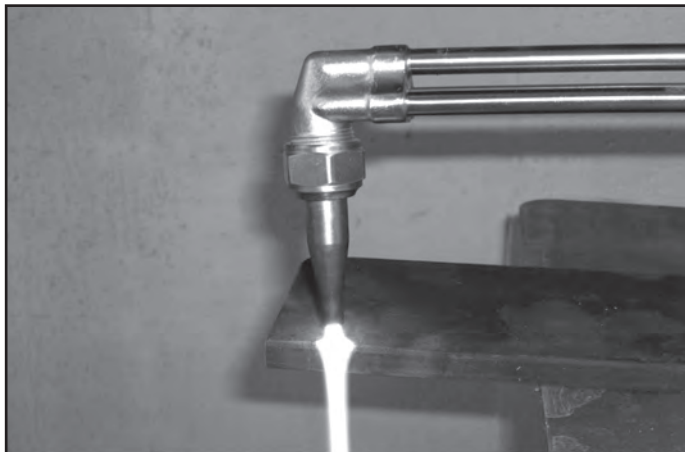


Figure 18 : Démarrage de la coupe

20. Lorsque la coupe débute, déplacez le chalumeau dans la direction désirée de la coupe (voir la figure 19).

### AVIS

*Si vous vous déplacez trop doucement, vous risquez de fusionner ensemble les arêtes de la coupe. Si vous vous déplacez trop vite, vous ne pourrez préchauffer le métal et la coupe sera perdue.*

21. Continuez d'enfoncer complètement le levier d'oxygène de coupe jusqu'à ce que le débit d'oxygène de coupe dépasse le métal de base pour une bonne coupe (voir la figure 23).

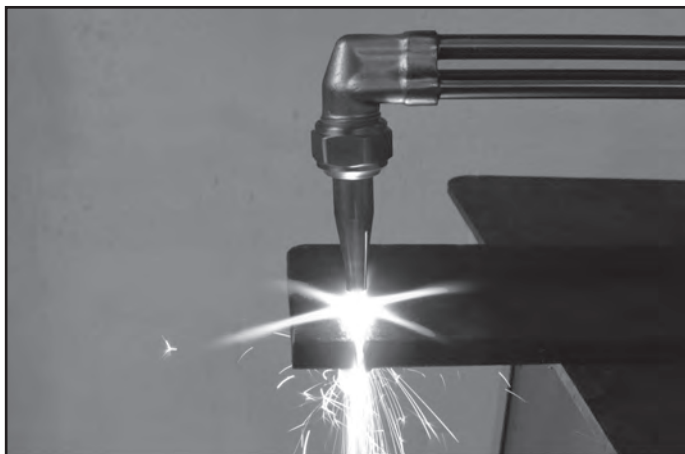


Figure 19 : La coupe

## Démarrage d'une coupe par perçage

1. Préchauffez un petit emplacement sur le métal de base jusqu'à obtention de la température de combustion rouge vif (voir la figure 20).

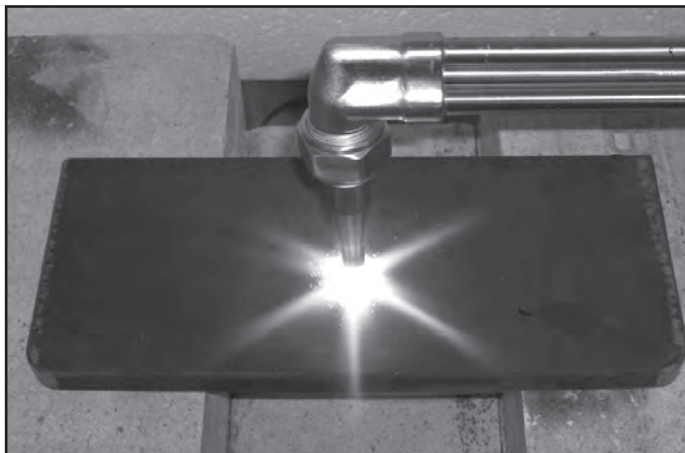


Figure 20 : Démarrage du perçage

2. Inclinez d'un côté la buse du chalumeau. Cela empêche aux étincelles et scories d'être « projetées » vers vous.
3. Lorsque le métal est percé, tournez le chalumeau. Déplacez le chalumeau progressivement dans la direction désirée de la coupe (voir la figure 21).



Figure 21 : Perçage  
**AVIS**

*Si le métal n'est pas entièrement percé, cela peut signifier qu'il n'y a pas assez de débit d'oxygène. Ou alors, il est possible qu'une buse ou un tuyau de mauvaise dimension ou une pression d'oxygène inadaptée ait été utilisée.*

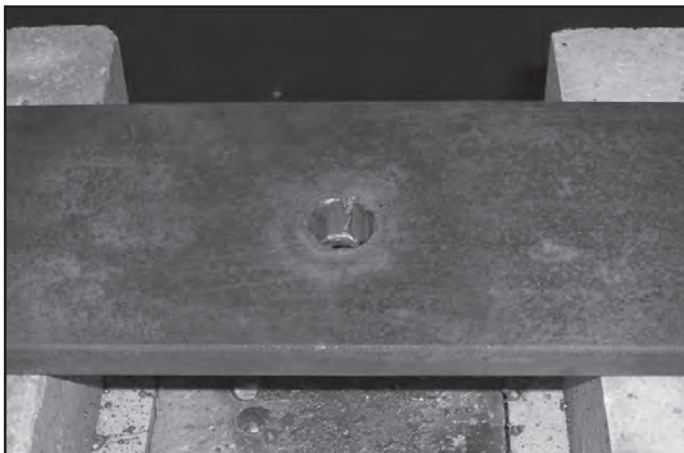


Figure 22 : Coupe par perçage

### Après la réalisation de toutes les opérations de coupe

1. Fermez le robinet d'oxygène de préchauffe. Puis, fermez le robinet de gaz du chalumeau. Assurez-vous de ne pas fermer en premier le robinet de gaz, cela risquerait de créer un bruit de claquement. Ce bruit de claquement renvoie de la suie de carbone dans le chalumeau. Celle-ci peut partiellement boucher les passages de gaz et les intercepteurs de retour de flamme.
2. Fermez les deux robinets de l'alimentation source en gaz.
3. Ouvrez le robinet d'oxygène et appuyez sur le levier d'oxygène de coupe. Relâchez la pression du système et puis, fermez le robinet d'oxygène de préchauffe ainsi que le robinet d'oxygène de la lance du chalumeau.
4. Tournez la vis de réglage de pression du détendeur d'oxygène dans le sens inverse des aiguilles d'une montre jusqu'à ce que le ressort de la vis n'exerce plus de pression.
5. Ouvrez le robinet de gaz du chalumeau et relâchez la pression du système. Fermez le robinet de gaz.
6. Tournez la vis de réglage de pression du détendeur de gaz combustible dans le sens inverse des aiguilles d'une montre jusqu'à ce que le ressort de la vis n'exerce plus de pression.
7. Vérifiez les manomètres d'entrée après quelques minutes afin de vous assurer que les robinets de la bouteille sont entièrement fermés et qu'il ne reste aucune pression dans le système.
8. Retirez les scories présentes sur l'arête de la coupe à l'aide d'une brosse ou d'un marteau-burineur. Ne retirez jamais les scories de l'arête de la coupe à l'aide de la buse ou de la tête du chalumeau.

## Procédure recommandée pour la coupe efficace au chalumeau d'une plaque d'acier

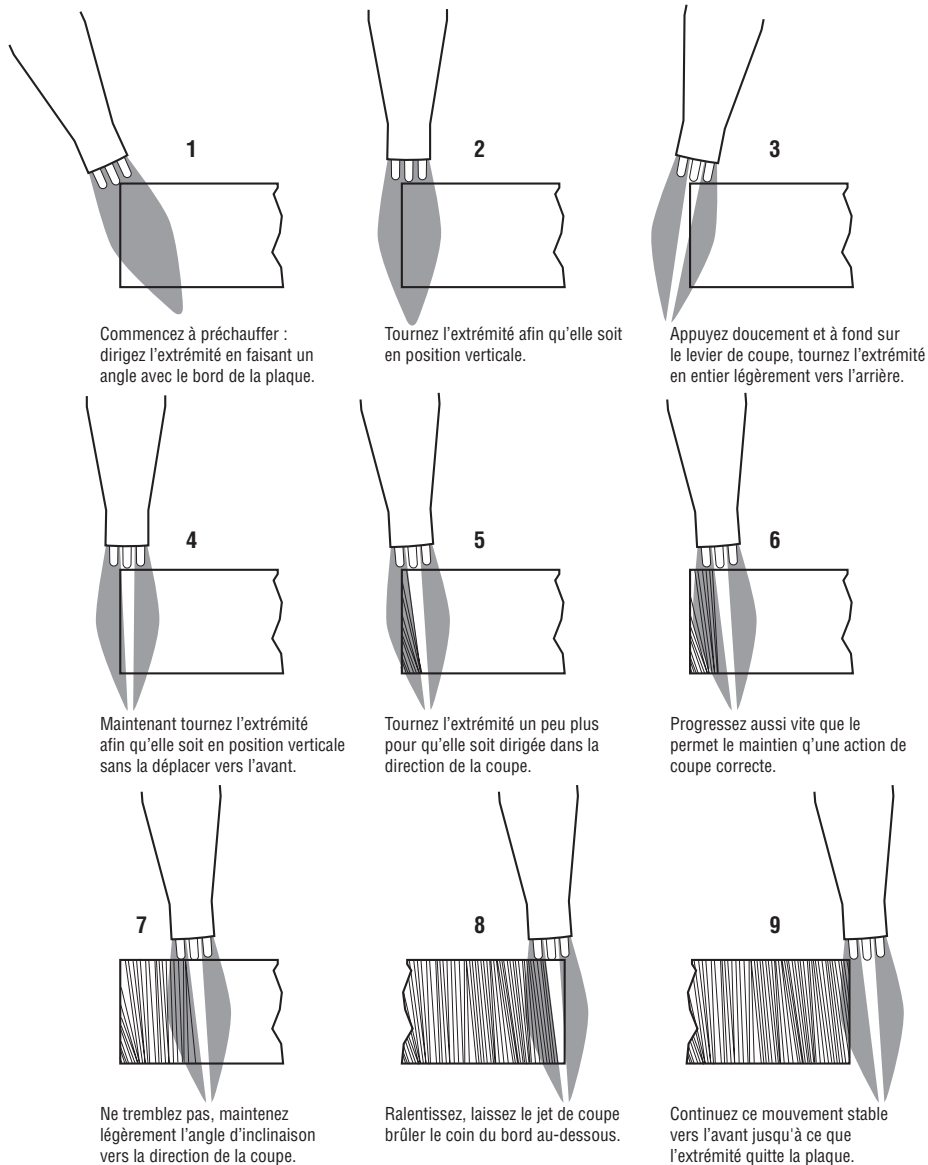
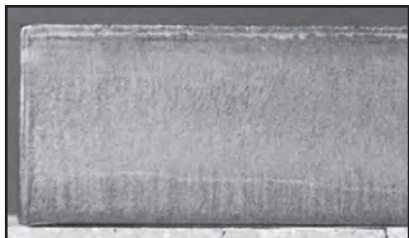


Figure 23 : Procédure recommandée pour une coupe efficace au chalumeau

## SECTION 8 : DÉPANNAGE

### Profil idéal de la coupe



**Caractéristiques :** Une coupe de qualité produit une finition lisse qui ne nécessite pas ou peu de nettoyage supplémentaire. Les bords de la plaque sont propres, carrés et dépourvus de scories.

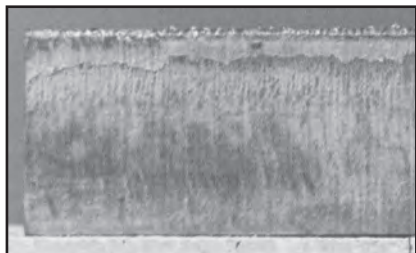
### Coupe trop rapide



**Caractéristiques :** Lorsque la vitesse de déplacement est trop rapide, le bord supérieur de la plaque est relativement propre et une quantité importante de scories adhère sur la partie inférieure de la plaque. Des blessures peuvent se produire et des rayures allongées se créent en direction opposée de la coupe.

**Raison initiale :** Le jet d'oxygène traîne avec un flux d'oxygène insuffisant atteignant le fond de la coupe.

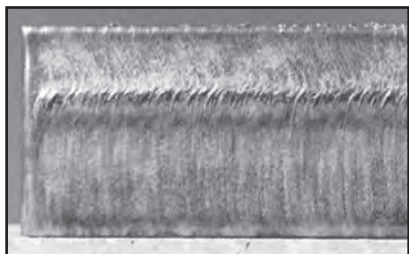
### La distance entre la buse et la plaque est trop importante



**Caractéristiques :** Lorsque la buse est trop éloignée de la plaque, le bord supérieur semble « s'envoler ». Ceci est similaire à l'effet causé par une pression d'oxygène excessive, tandis que le reste de la plaque apparaît correct.

**Cause initiale :** La préchauffe n'est pas axée sur la surface de la plaque, le jet d'oxygène est facilement perturbé.

### Le débit d'oxygène est trop important



**Caractéristiques :** Lorsque la pression de l'oxygène de coupe est trop importante, l'excédent de pression entraîne la dilatation du flot d'oxygène au moment d'entrer sur la plaque. Cela rend le bord supérieur de la plaque inégal et « étalé ». La face de la plaque est relativement lisse et dépourvue de piqûres ou blessures. La présence de scories est minimale. Le bruit de la coupe est particulièrement fort.

**Cause initiale :** La turbulence entre la flamme de préchauffe et le jet de coupe.

## SECTION 9 : CARACTÉRISTIQUES



### AVERTISSEMENT

*À aucun instant, la vitesse de retrait d'acétylène d'une bouteille ne doit dépasser un septième de son contenu par heure. Si un débit supplémentaire est nécessaire, utilisez un système de rampe de distribution d'acétylène de dimension suffisante afin de fournir le volume nécessaire.*



### AVERTISSEMENT

*Les débits importants de gaz nécessitent l'utilisation d'un système de rampe de distribution de dimension suffisante afin de fournir le volume nécessaire. Les débits importants de gaz peuvent également nécessiter l'utilisation d'un vaporisateur.*



### MISE EN GARDE

*Assurez-vous de toujours utiliser des équipements dimensionnés à la taille de la buse que vous avez choisie. Une buse avec trop de capacité pour l'équipement peut s'étrangler ou s'étouffer. Cela entraîne une surchauffe de la tête et un retour de flamme pourrait en résulter. N'utilisez que des buses de coupe, des buses de soudage et des buses multiflammes authentiques des marques suivantes : Victor®, Cutskill® ou Firepower® afin de garantir l'étanchéité des branchements et l'équilibre des équipements.*

### AVIS

Contenu brut en BTU/ft<sup>3</sup> (MJ/m<sup>3</sup>) :

- Acétylène - 1470 (54,8)
- Butane - 3374 (125,7)
- Gaz naturel - 1000 (37,3)
- Propane - 2458 (91,6)
- Méthane - 1000 (37,4)
- Propylène - 2371 (88,3)

### DÉBITS DES BUSES DE DÉCOUPAGE

Épaisseur de métal pouces (mm)	Taille de la buse	Taille du foret	Pression d'oxygène PSIG (kPa)		Pression d'acétylène PSIG (kPa)		Consommation d'acétylène SCFH (LPM)	
			Min	Max	Min	Max	Min	Max
≤ 1/32 (0,8)	000	75 (.022)	3 (20,7)	5 (34,5)	3 (20,7)	5 (34,5)	1 (0,5)	2 (0,9)
1/16 - 3/64 (1,6 - 1,2)	00	70 (.028)	3 (20,7)	5 (34,5)	3 (20,7)	5 (34,5)	1 1/2 (0,7)	3 (1,4)
1/32 - 5/64 (0,8 - 2,0)	0	65 (.035)	3 (20,7)	5 (34,5)	3 (20,7)	5 (34,5)	2 (0,9)	4 (1,9)
3/64 - 3/32 (1,2 - 2,4)	1	60 (.040)	3 (20,7)	5 (34,5)	3 (20,7)	5 (34,5)	3 (1,4)	6 (2,8)
1/16 - 1/8 (1,6 - 3,2)	2	56 (.046)	3 (20,7)	5 (34,5)	3 (20,7)	5 (34,5)	5 (2,36)	10 (4,7)
1/8 - 3/16 (3,2 - 4,8)	3	53 (.060)	4 (27,6)	7 (48,3)	3 (20,7)	6 (41,4)	8 (3,8)	18 (8,5)
3/16 - 1/4 (4,8 - 6,4)	4	49 (.073)	5 (34,5)	10 (69,0)	4 (27,6)	7 (48,3)	10 (4,7)	25 (11,8)
1/4 - 1/2 (6,4 - 12,7)	5	43 (.089)	6 (41,4)	12 (82,7)	5 (34,5)	8 (55,2)	15 (7,1)	35 (16,5)
1/2 - 3/4 (12,7 - 19,0)	6	36 (.106)	7 (48,3)	14 (96,5)	6 (41,4)	9 (62,0)	25 (11,8)	45 (21,2)
3/4 - 1 1/4 (19,0 - 31,7)	7	30 (.128)	8 (55,2)	16 (110,3)	8 (55,2)	10 (69,0)	30 (14,2)	60 (28,3)
1 1/4 - 2 (31,7 - 50,8)	8	29 (.136)	10 (69,0)	19 (131,0)	9 (62,0)	12 (82,7)	35 (16,5)	75 (35,4)
2 1/2 - 3 (63,5 - 76,2)	10	27 (.144)	12 (82,7)	24 (165,5)	12 (82,7)	15 (103,4)	50 (23,6)	100 (47,2)
3 1/2 - 4 (88,9 - 101,6)	12*	25 (.149)	18 (124,1)	28 (193,1)	12 (82,7)	15 (103,4)	80 (37,8)	160 (175,5)

\* Utilisez le chalumeau de modèle HD310C et un boyau de 9,5 mm (3/8").

# PROCÉDURES DE RÉGLAGE ET D'UTILISATION SÉCURITAIRE

## BUSES DE CHAUFFE MFA

Taille de la buse	Plage de pression de l'acétylène PSIG (kPa)	Plage de pression de l'oxygène PSIG (kPa)	Acétylène pieds <sup>3</sup> /hr (m <sup>3</sup> /hr)		Oxygène pieds <sup>3</sup> /hr (m <sup>3</sup> /hr)		BTU/hr (J/hr)
			Min	Max	Min	Max	
4	6 - 10 (41 - 69)	8 - 12 (55 - 83)	6 (0,2)	20 (0,6)	7 (0,2)	22 (0,6)	Reportez-vous à la notice, pagina 46
6	8 - 12 (55 - 83)	10 - 15 (69 - 103)	14 (0,4)	40 (1,1)	15 (0,4)	44 (1,3)	
8	10 - 15 (69 - 103)	20 - 30 (138 - 207)	30 (0,9)	80 (2,3)	33 (0,9)	88 (2,5)	
10	12 - 15 (83 - 103)	30 - 40 (207 - 276)	40 (1,1)	100 (2,8)	44 (1,3)	110 (3,1)	
12*	12 - 15 (83 - 103)	50 - 60 (345 - 414)	60 (1,7)	150 (4,3)	66 (1,9)	165 (4,7)	
15*	12 - 15 (83 - 103)	50 - 60 (345 - 414)	90 (2,6)	220 (6,2)	99 (2,8)	244 (6,9)	

\* Utilisez le chalumeau de modèle HD310C et un boyau de 9,5 mm (3/8").

## BUSES DE TYPE 55

Remarque : Ne pas utiliser

Taille de la buse	Pression d'oxygène PSIG (kPa)	Pression du gaz combustible PSIG (kPa)	Consommation SCFH (LPM)		BTU/hr (J/hr)
			Oxygène	Gaz combustible	
10*	70 - 100 (480 - 689)	15 - 25 (103 - 172)	350 - 460 (135 - 217)	150 - 200 (71 - 94)	Reportez-vous à la notice, pagina 46
15*	90 - 120 (620 - 827)	20 - 35 (138 - 240)	600 - 800 (283 - 378)	250 - 350 (118 - 165)	
20*	100 - 150 (690 - 1034)	30 - 50 (207 - 344)	900 - 1150 (425 - 523)	400 - 500 (189 - 283)	

\* Utilisez le chalumeau de modèle HD310C et un boyau de 9,5 mm (3/8").

## BUSES DE CHAUFFE MFN

Taille de la buse	Plage de pression du propane PSIG (kPa)	Plage de pression de l'oxygène PSIG (kPa)	Propane pieds <sup>3</sup> /hr (m <sup>3</sup> /hr)		Oxygène pieds <sup>3</sup> /hr (m <sup>3</sup> /hr)		BTU/hr (J/hr)
			Min	Max	Min	Max	
8	10 - 15 (69 - 103)	10 - 20 (69 - 138)	10 (0,3)	35 (1,0)	40 (1,1)	140 (4,0)	Reportez-vous à la notice, pagina 46
10	12 - 20 (83 - 138)	10 - 30 (69 - 207)	20 (0,6)	80 (2,3)	80 (2,3)	320 (9,1)	
12*	15 - 25 (103 - 172)	30 - 125 (207 - 862)	30 (0,9)	160 (4,5)	120 (3,4)	640 (18,1)	
15*	15 - 25 (103 - 172)	30 - 125 (207 - 862)	50 (1,4)	200 (5,7)	200 (5,7)	800 (22,7)	
20*	20 - 30 (138 - 207)	40 - 135 (276 - 931)	75 (2,1)	250 (7,1)	300 (8,5)	1000 (28,3)	

\* Utilisez le chalumeau de modèle HD310C et un boyau de 9,5 mm (3/8").

## BUSES DE PRÉCHAUFFAGE / DÉCOUPAGE ET TAILLE DES FORETS DE DÉCOUPAGE

Taille de la buse*	Taille pour l'oxygène de découpage	Taille de préchauffage pour les différents types de buses								
		1-100 3-100	1-104	3-110 5-110	1-111	1-129	3-200 5-200	1-117	1-118 3-118	1-208
000	71									
00	67			65						
0	60	71		60	64		67		71	
1	56	67		56			64			
2	53	60		54	56	57	62		63	
3	50			53			60			
4	45				53	55	56		56	57
5	39						55			
6	31						54		57	57
7	28									
8	20		55					63	57	56
10	13		55						57	55
12	2								56	

\* Idem pour tous les types sauf pour l'ébarbage, le gougeage, le décriquage manuel et grande vitesse.

# GUIDE DE SOUDAGE, DÉCOUPE ET CHAUFFE

## TYPES 1-101, 3-101 (OXY-ACÉTYLÈNE)

Épaisseur de métal pouces (mm)	Taille de la buse	Oxygène de coupe		Oxygène de préchauffage PSIG (kPa)**	Pression PSIG (kPa)	Acétylène		Largeur de coupe po. (mm)
		Pression*** PSIG (kPa)	Débit*** SCFH (LPM)			Débit SCFH (LPM)	Vitesse IPM (MPM)	
1/8 (3)	000	20 - 25 (138 - 172)	20 - 25 (9,4 - 11,8)	3 - 5 (21 - 34)	3 - 5 (21 - 34)	6 - 11 (0,17 - 0,31)	20 - 30 (0,51 - 0,76)	0,04 (1,02)
1/4 (6)	00	20 - 25 (138 - 172)	30 - 35 (14,2 - 16,5)	3 - 5 (21 - 34)	3 - 5 (21 - 34)	6 - 11 (0,17 - 0,31)	20 - 28 (0,51 - 0,71)	0,05 (1,27)
3/8 (9)	0	25 - 30 (172 - 207)	55 - 60 (26,0 - 28,3)	3 - 5 (21 - 34)	3 - 5 (21 - 34)	6 - 11 (0,17 - 0,31)	18 - 26 (0,41 - 0,66)	0,06 (1,52)
1/2 (13)	0	30 - 35 (207 - 241)	60 - 65 (28,3 - 30,7)	3 - 6 (21 - 41)	3 - 5 (21 - 34)	9 - 16 (0,25 - 0,45)	16 - 22 (0,41 - 0,56)	0,06 (1,52)
3/4 (20)	1	30 - 35 (207 - 241)	80 - 85 (37,8 - 40,1)	4 - 7 (28 - 48)	3 - 5 (21 - 34)	8 - 13 (0,23 - 0,37)	15 - 20 (0,38 - 0,51)	0,07 (1,78)
1 (25)	2	35 - 40 (241 - 276)	140 - 160 (66,1 - 75,5)	4 - 8 (28 - 55)	3 - 6 (21 - 41)	10 - 18 (0,28 - 0,51)	13 - 18 (0,33 - 0,41)	0,09 (2,29)
2 (50)	3	40 - 45 (276 - 310)	210 - 240 (99,1 - 113,3)	5 - 10 (34 - 69)	4 - 8 (28 - 55)	14 - 24 (0,40 - 0,68)	10 - 12 (0,25 - 0,30)	0,11 (2,79)
3 (75)	4	40 - 50 (276 - 344)	280 - 320 (132,1 - 151,0)	5 - 10 (34 - 69)	5 - 11 (34 - 76)	18 - 28 (0,51 - 0,79)	10 - 12 (0,25 - 0,30)	0,12 (3,05)
4 (100)	5	45 - 55 (310 - 379)	390 - 450 (184,0 - 212,3)	6 - 12 (41 - 83)	6 - 13 (41 - 90)	22 - 30 (0,62 - 0,85)	6 - 9 (0,15 - 0,23)	0,15 (3,81)
6 (150)	6**	45 - 55 (310 - 379)	500 - 600 (236,0 - 283,2)	6 - 15 (41 - 103)	8 - 14 (55 - 97)	25 - 35 (0,71 - 0,99)	4 - 7 (0,10 - 0,18)	0,15 (3,81)
10 (250)	7**	45 - 55 (310 - 379)	700 - 850 (330,4 - 401,2)	6 - 20 (41 - 138)	10 - 15 (69 - 103)	25 - 35 (0,71 - 0,99)	3 - 5 (0,08 - 0,13)	0,34 (8,64)
12 (300)	8**	45 - 55 (310 - 379)	900 - 1050 (424,8 - 495,5)	7 - 25 (48 - 172)	10 - 15 (69 - 103)	25 - 35 (0,71 - 0,99)	3 - 4 (0,08 - 0,10)	0,41 (10,41)

\* Applicable aux chalumeaux de coupe à 3 tuyaux uniquement. Avec un chalumeau de coupe à deux tuyaux, la pression de préchauffe est réglée par l'oxygène de coupe.

\*\* Pour de meilleurs résultats utilisez les chalumeaux de la série HC1200C et un tuyau de 9,5 mm avec une buse de taille 6 ou plus.

\*\*\* Toutes les pressions sont mesurées au détendeur à l'aide d'un tuyau de 7,6 m x 6,3 mm au travers d'une buse de taille 5 et un tuyau de 7,6 m x 9,5 mm pour une buse de taille 6 ou plus.



# PROCÉDURES DE RÉGLAGE ET D'UTILISATION SÉCURITAIRE

## TYPES 303MP, GPN, GPP

Épaisseur de métal pouces (mm)	Taille de la buse	Oxygène de coupe		Oxygène de préchauffage PSIG (kPa)	Gaz de préchauffage**		Vitesse IPM (MPM)	Largeur de coupe po. (mm)
		Pression*** PSIG (kPa)	Débit SCFH (LPM)		Pression PSIG (kPa)	Débit SCFH (LPM)		
1/8 (3)	000	20 - 25 (138 - 172)	12 - 14 (5.7 - 6.6)	Reportez-vous à la notice ci-dessous	3 - 5 (21 - 34)	5 - 6 (2.4 - 2.8)	20 - 30 (0.51 - 0.76)	0.04 (1.02)
1/4 (6)	00	20 - 25 (138 - 172)	22 - 26 (10.4 - 12.3)		3 - 5 (21 - 34)	5 - 7 (2.4 - 3.3)	20 - 28 (0.51 - 0.71)	0.05 (1.27)
3/8 (9)	0	25 - 30 (172 - 207)	45 - 55 (21.2 - 26.0)		3 - 5 (21 - 34)	8 - 10 (3.8 - 4.7)	18 - 26 (0.46 - 0.66)	0.06 (1.52)
1/2 (13)	0	30 - 35 (207 - 241)	50 - 55 (23.6 - 26.0)		3 - 5 (21 - 34)	8 - 10 (3.8 - 4.7)	16 - 22 (0.41 - 0.56)	0.06 (1.52)
3/4 (20)	1	30 - 35 (207 - 241)	70 - 80 (33.0 - 37.8)		4 - 6 (28 - 41)	10 - 12 (4.7 - 5.7)	15 - 20 (0.38 - 0.51)	0.08 (2.03)
1 (25)	2	35 - 40 (241 - 276)	115 - 125 (54.3 - 59.0)		4 - 8 (28 - 55)	12 - 15 (5.7 - 7.1)	13 - 20 (0.33 - 0.51)	0.09 (2.29)
1 1/2 (38)	2	40 - 45 (276 - 310)	125 - 135 (59.0 - 63.7)		4 - 8 (28 - 55)	12 - 15 (5.7 - 7.1)	13 - 18 (0.33 - 0.51)	0.09 (2.29)
2 (50)	3	40 - 45 (276 - 310)	150 - 175 (70.8 - 82.6)		5 - 9 (34 - 62)	14 - 18 (6.6 - 8.5)	11 - 13 (0.28 - 0.33)	0.10 (2.54)
2 1/2 (63)	3	45 - 50 (310 - 344)	175 - 200 (82.6 - 94.4)		5 - 9 (34 - 62)	14 - 18 (6.6 - 8.5)	10 - 12 (0.25 - 0.30)	0.10 (2.54)
3 (75)	4	40 - 50 (276 - 344)	210 - 250 (99.1 - 118.0)		6 - 10 (41 - 69)	16 - 20 (7.6 - 9.4)	8 - 10 (0.20 - 0.25)	0.12 (3.05)
4 (100)	5	45 - 55 (310 - 379)	300 - 360 (141.6 - 169.9)		8 - 12 (55 - 83)	20 - 30 (9.4 - 14.2)	6 - 9 (0.15 - 0.23)	0.14 (3.56)
5 (127)	5	50 - 55 (344 - 379)	330 - 360 (155.7 - 169.9)		8 - 12 (55 - 83)	20 - 30 (9.4 - 14.2)	4 - 7 (0.10 - 0.18)	0.14 (3.56)
6 (150)	6	45 - 55 (310 - 379)	400 - 500 (118.8 - 236.0)		10 - 15 (69 - 103)	25 - 35 (17.8 - 16.5)	3 - 5 (0.08 - 0.13)	0.17 (4.32)
8 (203)	6	55 - 65 (379 - 448)	450 - 500 (212.4 - 236.0)		10 - 15 (69 - 103)	25 - 35 (17.8 - 16.5)	3 - 4 (0.08 - 0.10)	0.18 (4.57)
12 (300)	8**	60 - 70 (414 - 483)	750 - 850 (354.0 - 401.2)		10 - 14 (69 - 97)	25 - 120 (17.8 - 56.6)	3 - 4 (0.08 - 0.10)	0.41 (10.41)

### AVIS

Les données ci-dessus concernent tous les chalumeaux sauf les suivants :

Série de chalumeaux	Oxygène de préchauffe	Gaz de préchauffe
Série MT 200	S/O	8 OZ.(0.24L) ≤
Série MT 300	10 - 50 PSIG (69 - 345 kPa)	8 OZ.(0.24L) ≤

\* Applicable aux chalumeaux de coupe à 3 tuyaux uniquement. Avec un chalumeau de coupe à deux tuyaux, la pression de préchauffe est réglée par l'oxygène de coupe.

\*\* Pour de meilleurs résultats utilisez les chalumeaux de la série HC1200C et un tuyau de 9,5 mm avec une buse de taille 6 ou plus.

\*\*\* Toutes les pressions sont mesurées au détendeur à l'aide d'un tuyau de 7,6 m x 6,3 mm au travers d'une buse de taille 5 et un tuyau de 7,6 m x 9,5 mm pour une buse de taille 6 ou plus.

# GUIDE DE SOUDAGE, DÉCOUPE ET CHAUFFE

## TYPES MHTN, P

Épaisseur de métal pouces (mm)	Taille de la buse	Oxygène de coupage		Oxygène de pré-chauffage		Gaz de pré-chauffage		Vitesse IPM (MPM)	Largeur de coupe po. (mm)
		Pression* PSIG (kPa)	Débit SCFH (LPM)	Pression PSIG (kPa)	Débit SCFH (LPM)	Pression PSIG (kPa)	Débit SCFH (LPM)		
1/4 (6,3)	00	85 - 95 (586 - 655)	68 - 75 (32,1 - 35,4)	Reportez-vous à la notice ci-dessous	23 - 140 (10,8 - 66,1)	Reportez-vous à la notice ci-dessous	12 - 65 (5,7 - 30,7)	23 - 30 (0,58 - 0,76)	0,05 (1,27)
3/8 (9,5)	00	85 - 95 (586 - 655)	68 - 75 (32,1 - 35,4)		23 - 140 (10,8 - 66,1)		12 - 65 (5,7 - 30,7)	22 - 29 (0,56 - 0,74)	0,05 (1,27)
1/2 (12,7)	0	85 - 95 (586 - 655)	110 - 120 (51,2 - 56,6)		23 - 140 (10,8 - 66,1)		12 - 65 (5,7 - 30,7)	20 - 28 (0,51 - 0,71)	0,06 (1,52)
3/4 (19,0)	0	85 - 95 (586 - 655)	110 - 120 (51,2 - 56,6)		23 - 140 (10,8 - 66,1)		12 - 65 (5,7 - 30,7)	18 - 26 (0,46 - 0,66)	0,06 (1,52)
1 (25,4)	1	85 - 95 (586 - 655)	145 - 160 (68,4 - 75,5)		23 - 140 (10,8 - 66,1)		12 - 65 (5,7 - 30,7)	17 - 24 (0,43 - 0,61)	0,07 (1,78)
1 1/4 (31,7)	1	85 - 95 (586 - 655)	145 - 160 (68,4 - 75,5)		23 - 140 (10,8 - 66,1)		12 - 65 (5,7 - 30,7)	16 - 20 (0,41 - 0,51)	0,07 (1,78)
1 1/2 (38,1)	1	85 - 95 (586 - 655)	145 - 160 (68,4 - 75,5)		23 - 140 (10,8 - 66,1)		12 - 65 (5,7 - 30,7)	12 - 16 (0,30 - 0,41)	0,07 (1,78)
2 (50,8)	2	85 - 95 (586 - 655)	230 - 250 (108,5 - 118,0)		23 - 140 (10,8 - 66,1)		12 - 65 (5,7 - 30,7)	11 - 15 (0,28 - 0,38)	0,09 (2,29)
2 1/2 (63,5)	2	85 - 95 (586 - 655)	230 - 250 (108,5 - 118,0)		23 - 140 (10,8 - 66,1)		12 - 65 (5,7 - 30,7)	10 - 13 (0,25 - 0,33)	0,09 (2,29)
3 (76,2)	2	85 - 95 (586 - 655)	230 - 250 (108,5 - 118,0)		23 - 140 (10,8 - 66,1)		12 - 65 (5,7 - 30,7)	9 - 11 (0,23 - 0,28)	0,09 (2,29)
4 (101,6)	3	85 - 95 (586 - 655)	285 - 320 (134,5 - 151,0)		23 - 140 (10,8 - 66,1)		12 - 65 (5,7 - 30,7)	7 - 10 (0,18 - 0,25)	0,11 (2,79)
5 (127,0)	3	85 - 95 (586 - 655)	285 - 320 (134,5 - 151,0)		23 - 140 (10,8 - 66,1)		12 - 65 (5,7 - 30,7)	6 - 8 (0,15 - 0,20)	0,11 (2,79)
6 (152,4)	3	85 - 95 (586 - 655)	285 - 320 (134,5 - 151,0)		23 - 140 (10,8 - 66,1)		12 - 65 (5,7 - 30,7)	5 - 7 (0,13 - 0,18)	0,11 (2,79)
7 (177,8)	4	85 - 95 (586 - 655)	390 - 450 (184,1 - 212,4)		23 - 140 (10,8 - 66,1)		12 - 65 (5,7 - 30,7)	5 - 6 (0,13 - 0,15)	0,14 (3,56)
8 (203,2)	4	85 - 95 (586 - 655)	390 - 450 (184,1 - 212,4)		23 - 140 (10,8 - 66,1)		12 - 65 (5,7 - 30,7)	4 - 6 (0,10 - 0,15)	0,14 (3,56)
9 (228,6)	5	85 - 95 (586 - 655)	670 - 720 (316,2 - 339,8)		23 - 140 (10,8 - 66,1)		12 - 65 (5,7 - 30,7)	4 - 5 (0,10 - 0,13)	0,18 (4,57)
10 (254,0)	5	85 - 95 (586 - 655)	670 - 720 (316,2 - 339,8)	23 - 140 (10,8 - 66,1)	12 - 65 (5,7 - 30,7)	3 - 5 (0,07 - 0,13)	0,18 (4,57)		

### AVIS

Les données ci-dessus concernent tous les chalumeaux sauf les suivants :

Série de chalumeaux	Oxygène de préchauffe	Gaz de préchauffe
Série MT 300N	10 - 50 PSIG (69 - 345 kPa)	8 OZ.(0.24L) ≤

\* Toutes les pressions sont mesurées à l'entrée du chalumeau pour les buses de la série MTH.

# PROCÉDURES DE RÉGLAGE ET D'UTILISATION SÉCURITAIRE

## TYPES HPN, P

Épaisseur de métal pouces (mm)	Taille de la buse	Oxygène de coupage		Oxygène de pré-chauffage		Gaz de pré-chauffage		Vitesse IPM (MPM)	Largeur de coupe po. (mm)
		Pression* PSIG (kPa)	Débit SCFH (LPM)	Pression PSIG (kPa)	Débit SCFH (LPM)	Pression PSIG (kPa)	Débit SCFH (LPM)		
3/4 (19,1)	1	30 - 35 (207 - 241)	70 - 80 (33,0 - 37,8)	Reportez-vous à la notice ci-dessous	44 - 240 (303 - 1655)	3 - 6 (21 - 41)	22 - 110 (10,4 - 51,9)	15 - 20 (0,38 - 0,52)	0,08 (2,03)
1 (25,4)	2	35 - 40 (241 - 276)	115 - 125 (54,3 - 59,0)		44 - 240 (303 - 1655)	3 - 6 (21 - 41)	22 - 110 (10,4 - 51,9)	14 - 18 (0,36 - 0,46)	0,09 (2,29)
1 1/2 (38,1)	2	40 - 45 (276 - 310)	125 - 135 (59,0 - 63,7)		44 - 240 (303 - 1655)	4 - 8 (28 - 55)	22 - 110 (10,4 - 51,9)	12 - 16 (0,30 - 0,41)	0,09 (2,29)
2 (50,8)	3	40 - 45 (276 - 310)	150 - 175 (70,8 - 82,6)		44 - 240 (303 - 1655)	4 - 8 (28 - 55)	22 - 110 (10,4 - 51,9)	10 - 14 (0,25 - 0,36)	0,10 (2,54)
2 1/2 (63,5)	3	45 - 50 (310 - 345)	175 - 200 (82,6 - 94,4)		44 - 240 (303 - 1655)	5 - 9 (35 - 62)	22 - 110 (10,4 - 51,9)	9 - 12 (0,23 - 0,30)	0,10 (2,54)
3 (76,2)	4	40 - 50 (276 - 345)	210 - 250 (99,1 - 118,0)		44 - 240 (303 - 1655)	6 - 9 (41 - 62)	22 - 110 (10,4 - 51,9)	8 - 11 (0,20 - 0,28)	0,12 (3,05)
4 (101,6)	5	45 - 55 (310 - 379)	300 - 360 (141,6 - 169,9)		44 - 240 (303 - 1655)	6 - 9 (41 - 62)	22 - 110 (10,4 - 51,9)	7 - 10 (0,18 - 0,25)	0,14 (3,56)
5 (127,0)	5	50 - 55 (345 - 379)	330 - 360 (155,7 - 169,9)		44 - 240 (303 - 1655)	6 - 10 (41 - 69)	22 - 110 (10,4 - 51,9)	6 - 9 (0,15 - 0,23)	0,14 (3,56)
6 (152,4)	6**	45 - 55 (310 - 379)	400 - 500 (188,8 - 236,0)		44 - 240 (303 - 1655)	6 - 10 (41 - 69)	22 - 110 (10,4 - 51,9)	5 - 7 (0,13 - 0,18)	0,17 (4,32)
8 (203,2)	6**	55 - 65 (379 - 448)	450 - 500 (212,3 - 236,0)		44 - 240 (303 - 1655)	8 - 12 (55 - 83)	22 - 110 (10,4 - 51,9)	4 - 6 (0,10 - 0,15)	0,18 (4,57)
12 (304,8)	8**	60 - 70 (414 - 483)	750 - 850 (354,0 - 401,2)		50 - 265 (345 - 1827)	10 - 14 (69 - 97)	25 - 120 (11,8 - 56,6)	3 - 4 (0,08 - 0,10)	0,41 (10,41)
15 (381,0)	10**	45 - 55 (310 - 379)	1000 - 1200 (471,9 - 566,3)		50 - 265 (345 - 1827)	10 - 16 (69 - 110)	25 - 120 (11,8 - 56,6)	2 - 4 (0,05 - 0,10)	—
18 (457,2)	12**	45 - 55 (310 - 379)	1150 - 1350 (542,7 - 637,1)		60 - 290 (414 - 1999)	—	30 - 130 (14,2 - 61,3)	2 - 3 (0,05 - 0,08)	—

### AVIS

Les données ci-dessus concernent tous les chalumeaux sauf les suivants :

Série de chalumeaux	Oxygène de préchauffe	Gaz de préchauffe
Série MT 200	S/O	8 OZ.(0.24L) ≤
Série MT 300	10 - 50 PSIG (69 - 345 kPa)	8 OZ.(0.24L) ≤

\* Applicable aux chalumeaux de coupe à 3 tuyaux uniquement. Avec un chalumeau de coupe à deux tuyaux, la pression de préchauffe est réglée par l'oxygène de coupe.

\*\* Pour de meilleurs résultats utilisez les chalumeaux de la série HC1200C et un tuyau de 9,5 mm avec une buse de taille 6 ou plus.

\*\*\* Toutes les pressions sont mesurées au détendeur à l'aide d'un tuyau de 7,6 m x 6,3 mm au travers d'une buse de taille 5 et un tuyau de 7,6 m x 9,5 mm pour une buse de taille 6 ou plus.

## SECTION 10: GLOSSAIRE

Cette partie présente la signification des termes les plus utilisés par les soudeurs dans l'industrie. Les termes techniques ont été simplifiés.

### A

**ACCUMULATION** - Une variation de la surface sur laquelle le métal de surface est déposé afin d'obtenir les dimensions requises.

**ACÉTYLÈNE** - Gaz composé de deux carbones et deux hydrogènes. Lorsqu'il brûle dans une atmosphère d'oxygène, il produit l'une des températures de flamme les plus élevées.

**ACTION CAPILLAIRE** - Un phénomène dans lequel la surface d'un liquide s'élève, chute ou se déforme là où elle est en contact avec un solide. Il s'agit du résultat de l'interaction relative (attraction, répulsion) des molécules du liquide les unes aux autres ainsi que par rapport à celles du solide.

**ALLIAGE** - Combinaison métallurgique de métaux : une substance qui est une combinaison de deux ou plus de métaux, ou d'un métal avec un corps non métallique.

**ALLONGEMENT** - Augmentation en pourcentage de la longueur d'un échantillon contraint jusqu'à sa limite d'élasticité.

**ANSI** - Abréviation de la norme américaine : « American National Standards Institute ».

**APPORT DE MÉTAL** - Tige d'apport de métal, utilisée dans la soudure et le brasage au chalumeau, ainsi que le soudage à l'arc où l'électrode ne fournit pas l'apport de métal.

**ASSEMBLAGE À RECOUVREMENT** - Un joint entre deux éléments se recouvrant en plans parallèles.

**ASSEMBLAGE D'ANGLE** - Un assemblage entre deux membres situés approximativement à angle droit afin de former un « L ».

**AWS** - Abréviation de la société américaine de soudage : « American Welding Society ».

**AXE DE SOUDURE** - Une ligne dans la longueur de la soudure, perpendiculaire à la coupe et située au centre géographique de celle-ci.

### B

**BAIN** - Terme parfois employé au lieu de Bain de Fusion.

**BAIN DE FUSION** - Volume localisé de métal fondu avant sa solidification.

**BOMBEMENT** - Surface courbe ou convexe de la soudure finie proprement dite.

**BOUTEILLE** - (Voir Bouteille de gaz)

**BOUTEILLE D'ACÉTYLÈNE** - (Voir la figure 2).

**BOUTEILLE D'OXYGÈNE** - (Voir bouteille de gaz)

**BOUTEILLE DE GAZ** - Une bouteille portable utilisée pour le transport et l'entreposage d'un gaz comprimé.

**BRASAGE** - Un ensemble de procédés de soudage qui produit des coalescences de matériaux en les chauffant à la température de brasage en présence d'un apport de métal ayant un liquidus au-dessus de 450°C et en dessous du solidus du métal de base. L'apport de métal est distribué entre les surfaces ajustées serrées du joint par action capillaire.

**BRASAGE TENDRE** - Ensemble de procédés de soudage, le brasage tendre utilise du métal pour la fusion de deux pièces de métal. Néanmoins, le métal ajouté lors du procédé à un point de fusion plus bas que celui de la pièce à souder, ainsi seul le métal ajouté est fondu, pas la pièce à souder.

## PROCÉDURES DE RÉGLAGE ET D'UTILISATION SÉCURITAIRE

Le brasage utilise des métaux dont le point de fusion est inférieur à 430 °C. L'apport de métal est distribué entre les surfaces ajustées serrées de l'assemblage par action capillaire.

**BUSE** - En général, un ensemble comprenant un coude de soudage, un mélangeur et un écrou d'accouplement.

**BUSE** - Extrémité du chalumeau où le gaz combustible brûle et crée une flamme à température élevée, elle régule et dirige la flamme.

### C

**CANIVEAU** - Manque de métal fondu dans le métal de base adjacent au bord de soudure.

**CARBONE** - Un élément qui, combiné au fer, donne divers types d'aciers. C'est la teneur en carbone qui fait varier les propriétés physiques de l'acier. Le carbone est également utilisé sous forme solide comme électrode pour la soudure à l'arc et comme moule pour contenir le métal.

**CGA** - Abréviation pour « Compressed Gas Association ».

**CHALUMEAU** - (Voir Chalumeau de coupe ou de soudage).

**CHALUMEAU D'OXYCOUPAGE** - Un dispositif utilisé lors de la coupe permettant de commander les gaz utilisés pour la préchauffe et l'oxygène pour la découpe des matériaux.

**CHALUMEAU SOUDEUR** - Appareil utilisé dans la coupe au gaz pour le contrôle des gaz utilisés dans la préchauffe ainsi que l'oxygène dans la coupe du métal.

**CHANFREIN** - Une préparation angulaire de l'arête. Pour réussir la soudure, les arêtes des pièces à joindre bout à bout nécessitent souvent une arête inclinée afin de permettre une déposition et pénétration adéquate de la soudure. Tandis que les exigences en matière de résistance du joint dictent la conception actuelle de l'assemblage, la soudure bout à bout de matériaux d'une épaisseur au moins égale à 9,5 mm nécessite souvent une préparation angulaire avant le soudage.

**CHARGE UNITAIRE** - Charge appliquée à un objet.

**COIN** - Métal soudé au sommet ou au coin interne de l'angle que forment deux pièces de métal et donnant au joint une résistance supplémentaire permettant de supporter des tensions inhabituelles.

**COMBUSTION** - Terme parfois employé au lieu de découpage à l'oxygène.

**CONDUCTIVITÉ THERMIQUE** - Rapidité et efficacité du mouvement de l'énergie thermique dans une substance.

**CÔNE** - La partie conique d'une flamme d'oxygaz à proximité de l'orifice de la buse.

**CONTRAINTÉ** - Réaction d'un objet face à une déformation en général de nature mécanique ou thermique.

**CORDON** - Un type de soudage composé d'une ou plusieurs passes sur une surface intacte.

**CORDON DE SOUDURE** - Dépôt de soudure résultant d'une passe.

**CÔTÉ D'UNE SOUDURE À CONGÉ** - (Voir soudure à congé).

**COUCHE** - Une épaisseur donnée de métal soudé faite en une ou plusieurs passes.

### D

**DÉBORDEMENT** - Excès de métal déposé qui se répand au-delà de la base de la soudure.

**DÉCOUPE AU CHALUMEAU** - Procédé de découpage au chalumeau de métaux ferreux, basé sur le principe de la réaction de l'oxygène avec le métal de base à une température élevée.

**DÉCOUPE AU CHALUMEAU** - Procédé de découpage au chalumeau, basé sur le principe de la réaction de l'oxygène avec le métal de base à des températures élevées. La température nécessaire est maintenue par les flammes du gaz résultant de la combustion de l'acétylène avec l'oxygène.

## **GUIDE DE SOUDAGE, DÉCOUPE ET CHAUFFE**

---

**DÉCOUPE AU CHALUMEAU** - Terme parfois employé au lieu de découpage à l'oxygène.

**DÉTENDEUR D'ACÉTYLÈNE** - Un dispositif utilisé afin de réduire la pression du cylindre et de délivrer une pression constante au chalumeau (voir la figure 2).

**DÉTENDEUR D'OXYGÈNE** - Un dispositif que l'on emploie pour réduire la pression des bouteilles à la pression du chalumeau et pour maintenir une pression constante. Il ne faut jamais employer un détendeur d'oxygène comme détendeur de gaz combustible.

**DOT** - Abréviation pour « Department of Transportation ».

**DURCISSEMENT SUPERFICIEL** - Ajout de carbone à la surface d'un objet en acier doux et subissant un traitement thermique pour produire une surface dure.

### **E**

**ENROBAGE** - Enrobage du métal de base dans le joint avant l'opération de brasage tendre ou fort.

**ENSEMBLE SOUDÉ** - Ensemble de pièces réunies par fusion du soudage.

**ÉROSION** - Une condition causée par la dissolution du métal de base par l'apport de métal fondu entraînant une réduction de l'épaisseur de métal de base.

**ÉTAMAGE** - On l'emploie parfois au lieu d'Enrobage.

### **F**

**FIL D'APPORT** - Terme parfois employé au lieu de fil pour soudure.

**FIL POUR SOUDURE COUTURE** - Fil de métal fondu et ajouté au bain de fusion afin de produire l'épaisseur augmentée du cordon nécessaire.

**FLAMME D'OXYGÈNE ET D'HYDROGÈNE** - Combinaison chimique de l'oxygène et du gaz combustible qu'est l'hydrogène.

**FLAMME D'OXYGÈNE ET DE PÉTROLE LIQUÉFIÉ** - Combinaison chimique de l'oxygène et du gaz combustible qu'est le pétrole liquéfié.

**FLAMME NEUTRE** - Une flamme d'oxygaz dont la partie utilisée n'oxyde ni ne réduit.

**FLAMME OXYDANTE** - Flamme oxygaz oxydante obtenue avec un excès d'oxygène.

**FLAMME RÉDUCTRICE** - Une flamme ayant un effet réducteur en raison d'un excès de gaz combustible.

**FLAMME RÉDUCTRICE** - Une flamme oxyacétylénique dans laquelle il y a un excès d'acétylène.

**FLAMME RICHE** - Terme parfois employé au lieu de Flamme réductrice.

**FLUX** - Un produit nettoyant utilisé pour éliminer les couches d'oxydes, relâcher les gaz coincés et les scories et pour nettoyer les métaux pour le soudage, brasage tendre et fort.

**FORGEAGE** - Formes métalliques dérivées par martelage ou compression de la pièce de métal originale pour obtenir les formes ou épaisseurs désirées.

**FUSION** - Un mélange complet entre deux arêtes du métal de base à joindre ou entre le métal de base et l'apport de métal ajouté lors du soudage.

### **G**

**GORGE D'UNE SOUDURE À CONGÉ** - Distance entre la racine et la surface de la soudure.

**GOUGEAGE** - Retrait de matériau. Le retrait d'un chanfrein ou d'un creux.

### **H**

**HYDROGÈNE** - Un gaz formé de deux atomes d'hydrogène. Il est considéré comme étant l'un des gaz le plus actif. Lorsqu'il est mélangé avec l'oxygène, il forme une flamme très propre.

## I

**INCLUSION DE SCORIES** - Résidu solide non métallique emprisonné dans le métal fondu ou entre celui-ci et le métal de base.

## J

**JOINT** - Espace entre deux éléments ou arêtes d'éléments qui sont à réunir ou ont été réunis.

**JOINT** - L'assemblage (métaux) par la chaleur, quelques fois par pression et d'autres fois par apport de métal ayant une température de fusion élevée.

**JOINT BOUT À BOUT** - Un joint de deux pièces de matériau qui sont placés côte à côte plutôt que par chevauchement ou emboîtement.

**JOINT BOUT À BOUT AVEC BORDS RELEVÉS** - Joint entre deux arêtes ou plus parallèles ou presque parallèles.

**JOINT EN T** - Joint formé en plaçant un métal à côté d'un autre à un angle de 90°. L'arête d'un métal touche la surface de l'autre métal.

## L

**LENTILLES FILTRANTES** - Un verre coloré utilisé pour les lunettes de sécurité, les casques et les boucliers afin de filtrer les rayons lumineux dangereux.

**LIMITE D'ÉLASTICITÉ** - Contrainte à partir de laquelle un matériau commence à se déformer de manière permanente.

## M

**MÉLANGEUR** - Partie du chalumeau de soudage ou de découpe où le gaz combustible et l'oxygène sont mélangés.

**MÉTAL BRÛLÉ** - Expression parfois employée pour désigner le métal que l'on a combiné à l'oxygène afin de transformer une partie du carbone en dioxyde de carbone et une partie du fer en oxyde de fer.

**MÉTAL FONDU** - Partie fusionnée du métal de base ou partie fusionnée du métal de base et apport de métal.

**MOULAGE** - Formes métalliques produites en versant un métal fondu dans un conteneur (moule) pour leur donner une forme déterminée.

## N

**NFPA** - Abréviation pour « National Fire Protection Association ».

## O

**OCCLUSION GAZEUSE** - Cavité remplie de gaz, qui se forme dans une pièce brute de coulée (soufflure).

**ORIFICE** - Ouverture par laquelle passent les gaz. En général, ouverture commandée par un robinet.

**OSHA** - Abréviation pour « Occupational Safety and Health Administration ».

**OXYDATION** - Combinaison d'oxygène avec d'autres substances. Par exemple, un métal est oxydé lorsque le métal brûle, c.-à-d. l'oxygène est combiné avec le métal ou des morceaux de métal.

**OXYGÈNE** - Un gaz formé de deux atomes d'oxygène. Lorsque l'oxygène soutient la combustion de façon très active, cela s'appelle « combustion » ; lorsque l'oxygène est lentement combiné à une substance, cela s'appelle « oxydation ».

## P

**PASSE** - (Voir Passe de soudage)

## **GUIDE DE SOUDAGE, DÉCOUPE ET CHAUFFE**

---

**PASSE DE SOUDAGE** - Une progression unique de la soudure ou rechargement le long du joint ou du substrat. Une passe produit un cordon de soudure ou une couche.

**PÉNÉTRATION** - Terme parfois employé au lieu de PÉNÉTRATION DU JOINT.

**PÉNÉTRATION DU JOINT** - Profondeur de la fusion dans le métal de base, mesurée à partir de la surface du métal de base, surépaisseur non comprise.

**POSITION DE SOUDAGE AU PLAFOND** - La position dans laquelle le soudage est réalisé du côté inférieur du joint.

**POSITION DE SOUDAGE EN GOUTTIÈRE** - Position de soudage utilisée pour souder le côté supérieur de l'assemblage ; l'endroit de la soudure est à peu près horizontale.

**POSITION DE SOUDAGE HORIZONTALE CORNICHE** - La position dans laquelle la soudure est réalisée sur le côté supérieur et approximativement une surface horizontale par rapport à une surface approximativement verticale.

**POSITION VERTICALE** - La position du soudage dans laquelle l'axe de la soudure est approximativement vertical.

**POSTCHAUFFE** - Apport de chaleur à un ensemble après une opération de soudage, coupe ou chauffe.

**PRÉCHAUFFE** - Apport de chaleur au métal de base immédiatement avant l'opération de soudage ou de coupe.

**PURGE** - Action d'ouvrir légèrement un robinet puis de le refermer rapidement.

### **R**

**RACINE DU SOUDAGE** - Les points, comme indiqué sur la coupe, où l'arrière de la soudure intersecte le métal de base.

**RECUIT** - Adoucissement des métaux par traitement thermique. Cela consiste principalement au chauffage des métaux jusqu'à obtention d'une température appropriée suivi d'un refroidissement lent.

**RÉSISTANCE À LA TRACTION** - Résistance maximum à la traction d'un échantillon.

### **S**

**SÉQUENCE DE SOUDAGE** - Ordre dans lequel on soude les éléments d'une structure.

**SOUDAGE** - Opération consistant à réunir des parties d'un matériau soit par chauffe, soit par martelage ou soit par intervention de pression.

**SOUDAGE AU CHALUMEAU** - Procédé de soudage au chalumeau qui produit la fusion des métaux par chauffe à l'aide d'un ou plusieurs flammes obtenues par la combustion d'acétylène avec l'oxygène. Ce procédé peut être utilisé avant ou sans l'application de pression ou d'apport de métal.

**SOUDAGE EN ARRIÈRE** - Une technique de soudage où le chalumeau est dirigé dans la direction opposée à celle de l'avancement du soudage.

**SOUDAGE EN AVANT** - Une technique de soudage où la flamme est dirigée dans la direction de l'avancement du soudage.

**SOUDOBRASAGE** - Une variation du procédé de soudage dans lequel un apport de métal, ayant un liquidus au-dessus de 450°C et en dessous du solidus du métal de base, est utilisé. À la différence du brasage, lors du soudobrasage, l'apport de métal n'est pas distribué dans le joint par action capillaire.



## **PROCÉDURES DE RÉGLAGE ET D'UTILISATION SÉCURITAIRE**

**SOUDURE À CONGÉ** - Soudure approximativement triangulaire joignant des parties qui se chevauchent ou qui se rencontrent pour former un angle.

**SOUDURE CONTINUE** - Une soudure accomplie de façon continue d'un bout à l'autre de l'assemblage. Si le joint est essentiellement circulaire, elle s'étend entièrement autour du joint.

**SOUDURE D'ANGLE CONCAVE** - Une soudure qui à un côté concave (peut être le résultat de purge).

**SOUDURE D'ANGLE CONVEXE** - Une soudure à congé qui a un endroit convexe (une bonne soudure sans caniveau).

**SOUDURE D'ANGLE EXTÉRIEUR** - Fusion de deux pièces de métal qui se fait du côté inférieur du cordon.

**SOUDURE D'ANGLE INTÉRIEUR** - Fusion de deux métaux dont l'un est maintenu à un angle de 90 degrés par rapport à l'autre. La fusion se fait à l'intérieur du sommet de l'angle.

**SOUDURE DE POINTAGE** - Opération qui consiste à immobiliser les bords à souder dans la position optimale jusqu'à réalisation de la soudure finale.

**SOUDURE DISCONTINUE** - Une soudure dont la continuité est brisée par des espaces non soudés récurrents.

**SOUDURE PWG** - Soudure dans un orifice circulaire d'un élément du joint où cet élément est fusionné sur un autre.

**SOUFFLURE** - Type de cavité formée par des gaz occlus au cours de la solidification.

**SURÉPAISSEUR D'UNE SOUDURE** - Métal fondu en excès de la quantité requise pour remplir un joint.

**SURFACE DE SOUDURE** - Endroit de la soudure.

### **T**

**TEMPÉRATURE D'INFLAMMABILITÉ OU DE COMBUSTION** - La température à laquelle une substance s'enflamme et continue à brûler, appelé « point d'allumage ».

**TRAITEMENT THERMIQUE DE RELAXATION DES CONTRAINTES** - Chauffage uniforme à une température au-dessous de la température critique suivi d'un refroidissement lent et uniforme.

**TUYAU** - Conduit souple que l'on emploie pour amener les gaz du détendeur au chalumeau. Fait de couches continues de caoutchouc ou matériau néoprène autour d'une partie intérieure tressée.

**TUYAU D'OXYGÈNE** - (Voir Tuyau)

### **V**

**VERRES COLORÉS** - (Voir Lentilles filtrantes)

### **W**

**WELD TOE** - Endroit où la surface de la soudure et le métal de base se touchent. Voir Congé de la soudure.

### **Y**

**ZONE AFFECTÉE THERMIQUEMENT** - Partie du métal de base qui n'a pas fondue mais dont les propriétés physiques ont été modifiées par la chaleur du soudage, du brasage ou de la coupe.

### **AVIS**

*Vous pouvez vous procurer d'autres termes et définitions dans le AWS A3.085 ou dans la publication ultérieure appelée « Standard Welding Terms and Definitions, » disponible auprès de AWS, Miami Florida 33135 USA, [www.aws.org](http://www.aws.org).*

# **SECTION 11 : GARANTIE**

---

**GARANTIE LIMITÉE :** THERMADYNE® garantit que ses produits seront exempts de tout vice de fabrication et de matériaux. Si un défaut devait apparaître durant la période de garantie applicable aux produits de THERMADYNE telle que décrite ci-dessous et qu'un avis de défaut était dûment émis démontrant que le produit a été entreposé, installé, exploité et entretenu selon les spécifications, les instructions, et les recommandations de THERMADYNE ainsi que les pratiques normalisées acceptées dans l'industrie, sans avoir été soumis à des abus, réparations, négligences, modifications ou accidents, alors THERMADYNE corrigera le défaut par une réparation appropriée ou un remplacement, à sa seule discrétion, des composants ou des pièces du produit que THERMADYNE jugera défectueux.

**CETTE GARANTIE EST EXCLUSIVE ET REMPLACE TOUTES AUTRES GARANTIES EXPRESSES OU IMPLICITES INCLUANT TOUTE GARANTIE D'APTITUDE OU DE QUALITÉ MARCHANDE À UNE FIN PARTICULIÈRE.**

**LIMITATIONS DE RESPONSABILITÉ :** THERMADYNE ne sera responsable sous aucune circonstance de dommages particuliers ou conséquents tels que, mais sans s'y limiter, des dommages ou perte de marchandises achetées ou de remplacement, ou de réclamations des clients du distributeur (désignés ci-après comme l'« Acheteur ») pour interruption de service. Les recours de l'Acheteur exposés aux présentes sont exclusifs et la responsabilité de THERMADYNE envers tout contrat ou toute action prise à ce sujet telle que le rendement ou un manquement au rendement, ou de la fabrication, la vente, la livraison, la revente ou l'usage de marchandises couvertes ou fournies par THERMADYNE découlant soit d'un contrat, d'une négligence, d'un délit spécifique, ou en vertu de toute garantie, ou autrement, ne devront pas, excepté si expressément prévus aux présentes, excéder le coût des marchandises sur lequel de telles responsabilités sont basées.

**CETTE GARANTIE SERA INVALIDE SI DES PIÈCES DE RECHANGE OU DES ACCESSOIRES QUI POURRAIENT DIMINUER LA SÉCURITÉ OU LE RENDEMENT DE TOUT PRODUIT THERMADYNE SONT UTILISÉS.**

**CETTE GARANTIE N'EST PAS VALIDE SI LE PRODUIT EST VENDU PAR DES PERSONNES NON AUTORISÉES.**

Cette garantie est effective pour la durée spécifiée dans le Tableau des garanties et débute la journée à laquelle le distributeur autorisé livre le produit à l'Acheteur.

Les réclamations pour la réparation ou le remplacement en vertu de cette garantie limitée doivent être soumises par un Centre de réparation autorisé de THERMADYNE dans les trente (30) jours suivant la réparation. Aucun frais de transport quel qu'il soit ne sera payé en vertu de cette garantie. Les frais de transport pour envoyer les produits à un Centre autorisé de réparation en vertu de cette garantie seront aux dépens de l'Acheteur. Toutes les marchandises retournées le seront aux risques et dépens de l'Acheteur. Cette garantie remplace et annule toutes les garanties précédentes de THERMADYNE.

**EQUIPO DE  
OXICOMBUSTIBLE**

***VICTOR***®

# **Guía de calentamiento, corte y soldadura**

**English  
Français  
Español**

**PROCEDIMIENTOS DE FUNCIONAMIENTO  
SEGURO Y DE INSTALACIÓN**



## **¡NOSOTROS APRECIAMOS SUS NEGOCIOS!**

Felicitaciones por su nuevo producto Victor® estamos orgullosos de tenerlo como nuestro cliente y nos esforzaremos para ofrecerle el mejor servicio y confiabilidad del ramo. Este producto está respaldado por nuestra garantía extendida y una red mundial de servicios. Para ubicar su distribuidor más cercano comuníquese con un representante a la dirección y número telefónico de su zona, indicado en la contratapa de este manual, o visítenos en la Web en: [www.victorequip.com](http://www.victorequip.com).

Este manual ha sido elaborado para instruirlo en lo referente a la correcta instalación y uso de su producto Victor®. Su satisfacción con este producto y su operación segura es nuestra preocupación más importante. De esta forma, por favor, tómese el tiempo necesario para leer todo el manual, especialmente las Precauciones de Seguridad. Esto lo ayudará a evitar peligros potenciales que pueden existir al trabajar con este producto.

## **¡USTED ESTÁ EN BUENA COMPAÑÍA!**

La Marca Elegida por Contratistas y Fabricantes del Mundo Entero.

Victor® es una marca mundial registrada por Thermadyne Industries Inc. de equipos de gas. Fabricamos y abastecemos a los principales sectores de la industria de soldadura del mundo, como Manufactura, Construcción, Minería, Automovilística, Aeroespacial, Ingeniería Rural y para los sectores de Hágalo Usted Mismo/Amadores.

Nos distinguimos de nuestros competidores por el liderazgo en el mercado, con productos confiables que han resistido a la prueba del tiempo. Nos enorgullecemos de la innovación técnica, precios competitivos, excelente entrega, superior servicio al cliente y soporte técnico, juntamente con la excelencia en las ventas y en la experiencia de comercialización.

Pero más que nada, estamos comprometidos con el desarrollo de productos tecnológicamente avanzados para alcanzar un ambiente de trabajo más seguro en la industria de la soldadura.

 **WARNINGS**

---

*Read and understand this entire Manual and your employer's safety practices before installing, operating, or servicing the equipment. While the information contained in this Manual represents the Manufacturer's judgment, the Manufacturer assumes no liability for its use.*

---

Guía de calentamiento, corte y soldadura  
Procedimientos de funcionamiento seguro y de instalación  
Guía de instrucciones número 0056-3260  
Publicado por:  
Thermadyne® Industries, Inc.  
2800 Airport Rd.  
Denton, TX. 76208  
(940) 566-2000

[www.victorequip.com](http://www.victorequip.com)

Atención al Cliente en EE.UU.: (800) 426-1888  
Atención al Cliente Internacional: (940) 381-1212

Copyright © 2009 Thermadyne Industries, Inc. Reservados todos los derechos.

Queda prohibida la reproducción de esta obra, total o parcialmente, sin permiso por escrito del editor.

El editor no asume, y por la presente se descarga de cualquier responsabilidad de cualquier parte por cualquier pérdida o daño causado por error u omisión en este manual, sin importar si el error deriva de negligencia, accidente o cualquier otra causa.

Fecha de publicación: 1 de septiembre de 2009

Aviso la siguiente información para su Garantía:

Lugar de compra: \_\_\_\_\_

Fecha de compra: \_\_\_\_\_

Nº de serie del equipo: \_\_\_\_\_

# Table of Contents

<b>SECTION 1: INTRODUCCIÓN .....</b>	<b>S1-1</b>
1.01 Como usar este manual.....	S1-1
<b>SECTION 2: INFORMACIÓN GENERAL SOBRE SEGURIDAD .....</b>	<b>S2-2</b>
2.01 Mantenimiento del lugar.....	S2-2
2.02 Ropa de protección .....	S2-3
2.03 Prevención de incendios .....	S2-3
2.04 Cilindros.....	S2-4
<b>SECTION 3: GASES INDUSTRIALES .....</b>	<b>S3-6</b>
3.01 Oxígeno .....	S3-6
3.02 Acetileno .....	S3-7
3.03 Gas natural y propano .....	S3-8
3.04 Propileno y gases combustibles a base de propileno.....	S3-10
3.05 Gases combustibles con base de gas natural o propano más aditivos de hidrocarburos líquidos ....	S3-11
<b>SECTION 4: APARATOS DE OXICOMBUSTIBLE .....</b>	<b>S4-12</b>
4.01 Suministro de combustible y oxígeno .....	S4-12
4.02 Reguladores .....	S4-12
4.03 Mango del soplete (Maneral).....	S4-15
4.04 Aditamento de corte .....	S4-17
<b>SECTION 5: PREPARACIÓN DEL EQUIPO DE SOLDADURA.....</b>	<b>S5-22</b>
5.01 Cilindros.....	S5-22
5.02 Reguladores .....	S5-23
5.03 Mangueras para soldar.....	S5-25
5.04 Mango del soplete .....	S5-25
5.05 Boquilla para soldar.....	S5-26
5.06 Preparación de la soldadura, encendido del soplete y ajuste de la llama.....	S5-28
<b>SECTION 6: PROCEDIMIENTOS DE SOLDADURA.....</b>	<b>S6-31</b>
6.01 Preparación de los metales que se van a soldar .....	S6-31
6.02 Evitar que los metales se deformen.....	S6-31
6.03 Técnicas de soldadura directa y soldadura de revés....	S6-32
6.04 Comenzar y terminar la soldadura.....	S6-32
6.05 Soldadura fuerte de oxicombustible y soldadura de latón.....	S6-34
<b>SECTION 7: PREPARACIÓN DEL EQUIPO DE CORTE .....</b>	<b>S7-37</b>
7.01 Preparación para aplicaciones de corte .....	S7-37
<b>SECTION 8: CORRECCIÓN DE FALLAS .....</b>	<b>S8-44</b>
<b>SECTION 9: ESPECIFICACIONES.....</b>	<b>S9-45</b>
<b>SECTION 10: GLOSARIO.....</b>	<b>S10-51</b>
<b>SECTION 11: DECLARACIÓN DE GARANTÍA .....</b>	<b>S11-58</b>

**SECCIÓN 1:  
INTRODUCCIÓN**

**1.01 COMO USAR ESTE MANUAL**

Esta guía contiene información importante relacionada con el funcionamiento eficiente y seguro de los aparatos de calentamiento, corte y soldadura a base de oxcombustible.

Existen varios peligros potenciales presentes al utilizar el equipo de oxcombustible. Por lo tanto, es necesario que se comprendan los procedimientos de funcionamiento y seguridad adecuados antes de utilizar dicho aparato.

**LEA ESTE FOLLETO EN FORMA COMPLETA Y CUIDADOSAMENTE ANTES DE INTENTAR OPERAR EL APARATO DE CALENTAMIENTO, CORTEY SOLDADURA A BASE DE OXICOMBUSTIBLE.** Una comprensión minuciosa de los procedimientos de funcionamiento y seguridad adecuados ayudará a minimizar los peligros potenciales involucrados y aumentará la eficiencia y productividad de su trabajo.

Las operaciones de corte y soldadura deben cumplir con las normas de la nación, estado, condado o ciudad vigentes para la instalación, el funcionamiento, la ventilación, la prevención de incendios y la protección del personal. Las instrucciones de funcionamiento y seguridad detalladas se pueden encontrar en la Norma Z49.1 ANSI, "Seguridad al soldar y cortar". Disponibles en American Welding Society (Sociedad Estadounidense de Soldadura), P.O. Box 351040, Miami, FL. 33135 o [www.aws.org](http://www.aws.org). Otras publicaciones que contienen instrucciones de funcionamiento y seguridad están disponibles a través de las siguientes organizaciones: Sociedad Estadounidense de Soldadura (AWS) [www.aws.org](http://www.aws.org), Administración de Seguridad y Salud Ocupacional (OSHA) [www.osha.gov](http://www.osha.gov), Asociación de Gases Comprimidos (CGA) [www.cganet.com](http://www.cganet.com) y Asociación Nacional de Protección contra Incendios (NFPA) [www.nfpa.org](http://www.nfpa.org).

No intente utilizar el aparato a menos que esté entrenado para su uso adecuado o bajo supervisión competente. Recuerde que el equipo más seguro, si se opera en forma incorrecta, puede producir un percance.

Un sistema de avisos, precauciones y advertencias enfatiza la información de funcionamiento y seguridad importante en este folleto. Son los siguientes:

**AVISO**

*Brinda información de mantenimiento, funcionamiento o instalación, la cual es importante pero no se relaciona con peligros.*



**PRECAUCIÓN**

*Indica una situación potencialmente peligrosa que, si no se evita, puede causar lesiones.*



**ADVERTENCIA**

*Indica una situación potencialmente peligrosa que, si no se evita, puede causar muertes o lesiones graves.*

## SECCIÓN 2: INFORMACIÓN GENERAL SOBRE SEGURIDAD

Asegúrese de leer y comprender todas las instrucciones de funcionamiento y seguridad proporcionadas antes de utilizar este aparato. **CONSERVE ESTAS INSTRUCCIONES EN UNA UBICACIÓN DE FÁCIL ACCESO PARA REFERENCIA FUTURA.** La siguiente lista de control de seguridad preliminar es la base para más información de seguridad específica detallada en este folleto.



### ADVERTENCIA

*Este producto contiene sustancias químicas, dentro de las que se incluye el plomo, o de otro modo produce sustancias químicas que el Estado de California sabe que provocan cáncer, defectos congénitos y/u otros daños reproductores. **Lávese las manos después de haber estado en contacto con estas sustancias.** (Código sobre Salud y Seguridad de California, Sec. 25249.5 y siguientes)*



### ADVERTENCIA

*NO intente utilizar este aparato a menos que esté entrenado para su uso adecuado o bajo supervisión competente. Para su seguridad, lleve a la práctica los procedimientos de funcionamiento y seguridad descritos en esta guía cada vez que utilice el aparato. Desviarse de estos procedimientos puede causar incendio, explosión, daños a la propiedad y/o lesiones al operador.*

*Si, en algún momento, el aparato que está utilizando no funciona de la forma habitual o usted tiene dificultades en el uso del mismo, apague el sistema y **DEJE** de utilizarlo inmediatamente. NO utilice el aparato hasta que se haya corregido el problema.*



### ADVERTENCIA

*Sólo un técnico calificado debe llevar a cabo el servicio técnico o la reparación del aparato. El servicio técnico, la reparación o la modificación inadecuada puede causar daños al producto o lesiones al operador.*

### AVISO

*El término “Técnico calificado” hace referencia al personal de reparaciones capaz de realizar el mantenimiento del aparato en forma rigurosa de acuerdo con todos los “Boletines informativos sobre servicios y piezas”, los folletos y artículos correspondientes de Victor.*

## 2.01 MANTENIMIENTO DEL LUGAR

1. El área de trabajo debe tener un suelo refractario.
2. Los bancos o las mesas de trabajo que se utilizan durante las operaciones de calentamiento, corte y soldadura deben tener superficies refractarias.
3. Utilice escudos resistentes al calor u otro material aprobado para proteger las superficies cercanas de chispas y metales calientes.
4. Aleje todo material combustible del área de trabajo.



## **PROCEDIMIENTOS DE CUNCIONAMIENTO SEGURO Y DE INSTALACIÓN**

5. Ventile las áreas de trabajo de calentamiento, corte y soldadura de forma adecuada para prevenir la acumulación de concentraciones tóxicas o explosivas de gases. Cuando trabaja con plomo, materiales plumbíferos, acero cubierto de pinturas con plomo, materiales cubiertos de cadmio o cualquier objeto que contenga metales que puedan generar o despedir humos tóxicos, siempre asegúrese de que se utilice equipo de protección respiratoria adecuado.
6. Cuando suelde, asegúrese de leer y comprender la Hoja de Datos de Seguridad del Material (MSDS) para las aleaciones que se están utilizando.
7. Coloque los cilindros de combustible y oxígeno cerca del lugar donde está trabajando. Asegúrese de que los cilindros estén a una distancia segura de chispas o metales calientes. Encadene en forma individual o, de lo contrario, asegure los cilindros a una pared, banco, poste, carretilla de cilindros, etc. para mantener los cilindros de pie y asegurarlos para que no se caigan.

### **2.02 ROPA DE PROTECCIÓN**

1. Protéjase de chispas, escoria flotante y luminosidad de las llamas en todo momento. Las llamas de gases producen radiación infrarroja que puede tener un efecto nocivo en la piel y especialmente en los ojos. Seleccione la máscara o las gafas protectoras adecuadas con cristales templados con sombreado 5 o más oscuro para proteger sus ojos de las lesiones y proporcionar buena visibilidad del trabajo.
2. Siempre utilice los guantes protectores y ropa resistente a las llamas adecuada para proteger la piel y la ropa de las chispas y la escoria. Mantenga el cuello, las mangas y los bolsillos abrochados. NO se arremangue las mangas ni los pantalones.
3. Extraiga todos los materiales fácilmente combustibles e inflamables de sus bolsillos, tales como fósforos y encendedores.
4. Mantenga toda la ropa y la ropa de protección completamente libre de aceite o grasa.
5. No utilice ropa que sea fácilmente inflamable, tales como pantalones o camisas de poliéster.

### **2.03 PREVENCIÓN DE INCENDIOS**

Las operaciones de corte y soldadura utilizan fuego o combustible como una herramienta básica. El proceso es muy útil cuando se lo controla adecuadamente. Sin embargo, puede ser extremadamente destructivo si no se lleva a cabo correctamente en el entorno adecuado. Lleve a la práctica las técnicas de prevención de incendios cuando las operaciones de oxicomcombustible estén en progreso. Unas simples precauciones pueden prevenir la mayoría de los incendios y ayudar a disminuir los daños en el caso que se produzca un incendio.

1. Mantenga TODOS los aparatos de corte y soldadura limpios y sin grasa, aceite u otras sustancias inflamables. Revise los aparatos de oxicomcombustible para comprobar que no haya aceite, grasa ni piezas dañadas. NO utilice el aparato de oxicomcombustible si hay aceite o grasa o daños evidentes.
2. Nunca utilice aceite, grasa o lubricante sobre ni alrededor de ningún aparato de oxicomcombustible. Inclusive una pequeña cantidad de aceite o grasa puede inflamarse y encenderse violentamente ante la presencia de oxígeno.
3. Mantenga las llamas, el calor y las chispas lejos de los cilindros, reguladores y mangueras.

## GUÍA DE CALENTAMIENTO, CORTE Y SOLDADURA

---

4. Las chispas flotantes pueden recorrer una distancia de 35 pies o más. Extraiga todos los materiales combustibles de las áreas donde se llevan a cabo las operaciones de oxicomcombustible.
5. Los operadores pueden no darse cuenta del comienzo de un incendio al soldar o cortar. Su visión está gravemente obstaculizada por las gafas protectoras y los lentes oscuros de soldar. Según las circunstancias del lugar de trabajo, puede ser aconsejable tener un vigilante que en caso de incendio opere un extinguidor y haga sonar una alarma.
6. Conserve un extinguidor de incendios aprobado del tamaño y tipo adecuado en el área de trabajo. Revíselo regularmente para asegurarse de que esté en una disposición de trabajo adecuada. Sepa cómo utilizar el extinguidor de incendios.
7. Utilice escudos resistentes al calor u otro material aprobado para proteger las superficies, techos y equipos cercanos de chispas y metales calientes.
8. Sólo utilice equipo de oxicomcombustible con el gas combustible para el cual se diseñó.
9. Luego de haber instalado adecuadamente el equipo, abra la válvula del cilindro de acetileno aproximadamente 3/4 de un giro, pero NO MÁS de 1 giro y 1/2. Mantenga la llave del cilindro, si se requiere, en la válvula del mismo de modo que lo pueda apagar rápidamente si fuera necesario.
10. Todos los gases excepto el acetileno: Abra la válvula del cilindro completamente para sellar el embalaje de sellado de la parte posterior del cilindro.
11. Nunca compruebe las fugas de gases con una llama. Utilice una solución detectora de fugas aprobada.
12. Nunca realice las operaciones de calentamiento, corte y soldadura en un recipiente que haya contenido líquidos o vapores combustibles o tóxicos.
13. Nunca realice las operaciones de calentamiento, corte y soldadura en un área que contenga vapores combustibles, líquidos inflamables o polvo explosivo.
14. Nunca realice operaciones de calentamiento, corte y soldadura en un recipiente o envase cerrado, que pueda explotar cuando se caliente.
15. Evite hacer funcionar el equipo en lugares con sistemas de rociadores, a menos que haya suficiente ventilación para mantener fresca el área.
16. Cuando el trabajo esté completo, compruebe que no haya posibles incendios o materiales humeantes en el área.

### 2.04 CILINDROS

Se deben cumplir rigurosamente todas las normas del seguro y del gobierno relacionadas con el almacenamiento de cilindros de GLP, acetileno y oxígeno. Los cilindros de gas industrial se realizan bajo estrictas especificaciones y se inspeccionan cada vez que su proveedor los vuelve a llenar. Son seguros si se manejan adecuadamente. Para obtener información adicional sobre el manejo seguro de los cilindros de gas, comuníquese con su proveedor de gas o consulte la publicación P-1 “Manejo seguro de gases comprimidos en recipientes” de la Asociación de Gas Comprimido

- Mantenga alejados todos los cilindros, vacíos o llenos, de radiadores, calderas y otras fuentes de calor.
- Evite el contacto con circuitos eléctricos.
- Mantenga el aceite y la grasa lejos de los cilindros.
- Se debe proteger los cilindros de los rayos directos del sol.

## PROCEDIMIENTOS DE CUNCIONAMIENTO SEGURO Y DE INSTALACIÓN

- Proteja las válvulas de los cilindros de golpes y objetos que puedan caer.
- Compruebe que las válvulas del cilindro no posean piezas dañadas. Mantenga limpias las válvulas, sin aceite, grasa y cualquier material extraño.
- Cierre las válvulas de los cilindros cuando no los utilice, estén vacíos o cuando los traslade.
- Siempre asegúrese de que la válvula del cilindro esté bien cerrada antes de extraer los reguladores.
- Siempre reemplace la tapa de la válvula del cilindro, si corresponde, cuando no se use el cilindro.
- Nunca permita que alguien pulse un arco o cubra un electrodo contra cualquier cilindro.
- Nunca trate de llenar un cilindro ni de mezclar gases en un cilindro. Nunca retire gas de los cilindros, excepto a través de reguladores de presión bien conectados o equipo diseñado para ese fin. Si se daña, envíe el regulador al proveedor o a un técnico calificado para la reparación. No altere ni cambie los números o marcas de los cilindros.
- Nunca utilice los cilindros como soportes o rodillos.
- Cuando traslada los cilindros con una grúa, sólo utilice un soporte para cilindros aprobado. Nunca utilice una grúa de “electroimán” para trasladar los cilindros
- Nunca eleve el cilindro por su tapa protectora.
- Si no puede realizar un sello hermético al gas entre la válvula del cilindro y una boquilla del regulador, compruebe si la tuerca de conexión está ajustada. De ser así, compruebe si la conexión de entrada del regulador está dañada. Si la válvula del cilindro está dañada, saque el cilindro de funcionamiento e informe al proveedor de gas.
- Nunca introduzca arandelas de plomo ni otro tipo de material entre el regulador y la válvula del cilindro. Nunca utilice aceite ni grasa en las conexiones.
- NUNCA utilice cilindros de gas comprimido sin un regulador reductor de presión conectado a la válvula del cilindro.
- Nunca arrastre ni gire los cilindros sobre su borde inferior, utilice una carretilla para cilindros adecuada.
- Nunca transporte cilindros de gas dentro de un vehículo de pasajeros. Sólo transporte cilindros de gas en un vehículo de trabajo adecuadamente ventilado. Consulte CGA PS-7, “Declaración de posición de CGA sobre el transporte seguro de cilindros en vehículos de pasajeros”.
- Sólo utilice llaves de cilindros estándares para abrir las válvulas del cilindro, nunca extienda la longitud de estas llaves bajo ninguna circunstancia. Si no se pueden abrir manualmente las válvulas, no utilice un martillo ni una llave; informe al proveedor.
- Deje la llave del cilindro en posición cuando las válvulas del cilindro de gas combustible estén abiertas.
- Algunas válvulas del cilindro, más específicamente las válvulas de cilindros de acetileno, pueden requerir ajuste del embalaje de válvulas. Consulte a su proveedor de gas sobre el método adecuado para ajustar el embalaje. NO utilice el cilindro si el embalaje tiene fugas.



### ADVERTENCIA

*Los cilindros están altamente presurizados. Manéjelos con cuidado. Pueden producirse accidentes graves por el manejo incorrecto o el mal uso de los cilindros de gas comprimido. NO deje caer, tire ni exponga el cilindro al calor excesivo, llamas o chispas. NO golpee el cilindro de ninguna forma.*

## SECCIÓN 3: GASES INDUSTRIALES



### PRECAUCIÓN

*Los gases combustibles pueden ser tóxicos. Comuníquese con su proveedor de gas para obtener la Hoja de Datos de Seguridad del Material (MSDS) correspondiente para cada tipo de gas que utiliza. Las normas sobre materiales peligrosos del Departamento de Transporte (DOT) regulan el transporte de gases industriales y los cilindros utilizados para transportarlos. Se puede controlar también la eliminación de gases combustibles. Comuníquese con su Departamento de Trabajo local o estatal para obtener más información.*

### 3.01 OXÍGENO

El elemento químico gaseoso, símbolo O, es de gran interés ya que es el elemento esencial en el proceso respiratorio de la mayoría de las células vivientes y en los procesos de combustión. Es el elemento que más abunda en la corteza de la Tierra. Casi una quinta parte (en volumen) del aire es oxígeno. Se puede separar el oxígeno del aire a través de la licuefacción y la destilación fraccionada. Una de las principales aplicaciones del oxígeno es la fundición, el refinado y la fabricación de acero y otros metales. Se requiere el oxígeno para apoyar cualquier proceso de quema. Por lo tanto, se combina con un gas “combustible” para producir la llama de operación deseada. El oxígeno en sí no es inflamable. Sin embargo, la presencia de oxígeno puro acelera sorprendentemente el proceso de quema. El oxígeno puede convertir fácilmente una chispa pequeña en una estruendosa llama o explosión.



### ADVERTENCIA

*Nunca permita que el oxígeno se ponga en contacto con la grasa, el aceite u otras sustancias inflamables. Aunque el oxígeno en sí no se quema, estas sustancias se vuelven altamente explosivas y se pueden inflamar o quemar rápidamente cuando están ayudadas por el oxígeno puro. El aceite o la grasa combinada con el oxígeno pueden inflamarse o inclusive explotar sin la presencia de calor o llamas excesivas.*

El oxígeno se suministra generalmente en cilindros de acero estirado estándar. El cilindro que más se utiliza es de 244 pies cúbicos. Están disponibles tamaños más grandes y más pequeños. Los cilindros de oxígeno completo están normalmente presurizados a más de 2000 libras por pulgada cuadrada. Determine el contenido del cilindro de oxígeno leyendo el medidor de presión de entrada en el regulador cuando está en uso. Por ejemplo, la mitad del volumen de presión del cilindro completo indica la mitad del volumen (c/f) del oxígeno restante. La presión de relleno máxima siempre debe estar marcada en el cilindro.

Debido a la alta presión en la que está contenido el oxígeno, siempre se deben manejar los cilindros con mucho cuidado. **NO SE PUEDE RECALCAR LO SUFICIENTE LA REACCIÓN POTENCIALMENTE VIOLENTA DEL ACEITE, LA GRASA Y TODOS LOS OTROS CONTAMINANTES ANTE LA PRESENCIA DE OXÍGENO. SE PUEDEN PRODUCIR LESIONES GRAVES O LA MUERTE SI SE UTILIZA EL OXÍGENO COMO UN SUSTITUTO DEL AIRE COMPRIMIDO.** Nunca se debe hacer referencia al oxígeno como “aire”.



*Nunca utilice oxígeno: en herramientas neumáticas; en quemadores de precalentamiento de aceite; para arrancar motores de combustión interna; para destapar tuberías; para quitar el polvo de la ropa o del área de trabajo; para crear presión; para la ventilación. En resumen, bajo ninguna circunstancia utilice oxígeno como un sustituto del aire comprimido o de otros gases. Utilice oxígeno sólo para aplicaciones de calentamiento, corte y soldadura de oxicomcombustible adecuadas.*

## CONEXIONES DE ENTRADA DEL REGULADOR Y SALIDA DE LA VÁLVULA DE OXÍGENO:

CGA 540 hasta 3000 PSIG (3700 - 20700 kPa); CGA 577 hasta 4000 PSIG (4000 - 28000 kPa); CGA 701 hasta 5500 PSIG (4800 - 38000 kPa)

## 3.02 ACETILENO

El acetileno es un compuesto de carbono e hidrógeno ( $C_2H_2$ ). Es un gas combustible industrial versátil que se utiliza en aplicaciones de rebajado de tensión, metalización, endurecimiento a llamas, soldadura blanda, soldadura fuerte, soldadura, calentamiento y corte. El Acetileno se produce cuando el carburo de calcio se sumerge en el agua o a través de procesos petroquímicos. El gas acetileno tal como se produce se comprime luego en los cilindros o se introduce en los sistemas de tuberías. El acetileno se vuelve inestable cuando se comprime en su estado gaseoso a más de 15 PSIG. Por lo tanto, no se puede almacenar en un cilindro “hueco” a alta presión como se almacena el oxígeno, por ejemplo. Los cilindros de acetileno se rellenan con un material poroso (silicato de calcio) lo que crea, en efecto, un cilindro “sólido”, opuesto a uno “hueco”. El relleno poroso se satura con acetona líquida. Cuando se bombea el acetileno al cilindro, la acetona líquida lo absorbe en el relleno poroso. Se mantiene en una condición estable (vea la Figura 2). El relleno de cilindros de acetileno es un proceso delicado que requiere un equipo y un entrenamiento especial. Por lo tanto, sólo distribuidores de gas autorizados deben rellenar los cilindros de acetileno. El relleno de los cilindros de acetileno nunca se debe transferir.

**Relleno poroso:** (silicato de calcio) de 8% a 10%

El relleno, que ocupa completamente el revestimiento de acero, está compuesto del 90% a 92% por millones de poros interconectados.

**Acetona:** 42%

La acetona es igual al 42% del volumen interno y se dispersa en todo el relleno.

**Gas acetileno:** 36%

La acetona absorbe uniformemente al gas acetileno. La mezcla resultante ocupa un 78% del volumen interno.

**Volumen de reserva a 70° F:** 10% - 12%

Dado que el gas de acetileno y acetona se expande a medida que la temperatura aumenta, debe haber una reserva de seguridad, inclusive a 150° F.

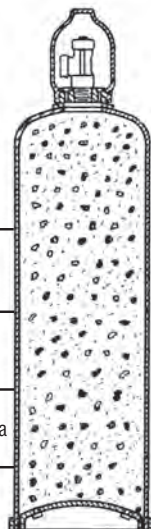


Figura 2: Parte interna del cilindro de acetileno

# GUÍA DE CALENTAMIENTO, CORTE Y SOLDADURA

## Cilindros de acetileno

Los cilindros de acetileno están provistos de tapones fusibles. Éstos están diseñados para purgar el contenido del cilindro en caso de que surja un estado de inseguridad en el mismo que podría ser debido a una gran cantidad de razones, tales como el sobrecalentamiento a causa de una técnica de funcionamiento incorrecta, equipo defectuoso o en conjunto con temperatura excesiva. En caso de funcionamiento incorrecto del dispositivo de seguridad del cilindro, saque el cilindro de funcionamiento, colóquelo en un área bien ventilada, preferentemente al aire libre, e informe al proveedor inmediatamente.

## Disponible comunmente capacidades del cilindro de acetileno

Pies cúbicos (metros cúbicos)		
10 (0.3)	130 (3.7)	330 (9.3)
40 (1.1)	190 (5.4)	360 (10.2)
60 (1.7)	225 (6.4)	390 (11.0)
75 (2.1)	290 (8.2)	850 (24.1)
100 (2.8)	300 (8.5)	

Los cilindros de acetileno que se utilizan en los Estados Unidos deben cumplir con las especificaciones DOT 8 y 8 AL.

## Especificaciones

### SEGURIDAD

Sensibilidad a los golpes	Inestable a más de 15 PSIG (103 kPa) parte externa del cilindro
Límites explosivos en oxígeno, porcentaje	3.0-93
Límites explosivos en aire, porcentaje	2.5-80
Máxima presión de utilización permitida	15 PSIG (103 kPa)
Tendencia retornos de llamas	Considerable
Toxicidad	Baja
Velocidad máxima de estiraje	1/7 de cilindro contenido por hora

### PROPIEDADES DE COMBUSTIÓN

Temperatura de llama neutral (°F)	5720 (3160)
Velocidad de quema en oxígeno pies/seg. (m/seg.)	22.7 (6.9)
Llama primaria BTU / pie cúbico (MJ/m <sup>3</sup> )	507 (18.9)
Llama secundaria BTU / pie cúbico (MJ/m <sup>3</sup> )	963 (35.9)
Calor total BTU / pie cúbico (MJ/m <sup>3</sup> )	1470 (54.8)
Valor total de calentamiento BTU / libras (kJ/kg)	21600 (50140)
Temperatura de ignición automática °F (°C)	763 - 824 (406 - 440)

### CONEXIONES DE ENTRADA DEL REGULADOR Y SALIDA DE LA VÁLVULA

- Conexión estándar CGA 510
- Conexión estándar alterna CGA 300
- Serie de válvulas pequeñas (cilindro de 10 pies cúbicos (0.3 m<sup>3</sup>)) CGA 200
- Serie de válvulas pequeñas (cilindro de 40 pies cúbicos (1.1 m<sup>3</sup>)) CGA 520

\*Todos los valores son aproximados\*

Si se requieren más especificaciones detalladas, comuníquese con su proveedor de gas combustible para obtener las propiedades específicas del mismo.

## 3.03 GAS NATURAL Y PROPANO

El gas natural está disponible en la mayoría de las áreas de los Estados Unidos y Canadá. Las propiedades físicas varían de acuerdo con la ubicación geográfica. El metano es un gas inodoro, incoloro y es el componente principal del gas natural, una mezcla que contiene alrededor de 75% de metano ( $\text{CH}_4$ ), 15% de etano ( $\text{C}_2\text{H}_6$ ) y 5% de otros hidrocarburos, tales como propano ( $\text{C}_3\text{H}_8$ ) y butano ( $\text{C}_4\text{H}_{10}$ ).

El propano ( $\text{C}_3\text{H}_8$ ) es un combustible fósil no renovable, como el gas natural y el aceite que se producen del mismo. Se lo conoce comúnmente como GLP (gas licuado de petróleo). Parecido al gas natural (metano), el propano es incoloro e inodoro. Aunque el propano es no tóxico e inodoro, se le agrega mercaptano de olor apesados para que las fugas de gases sean fáciles de detectar.

Los gases licuados de petróleo (LP) se descubrieron en 1912 cuando un científico estadounidense, el Dr. Walter Snelling, descubrió que estos gases se podían transformar en líquidos y almacenar bajo presión moderada. La industria del gas LP tuvo sus comienzos poco antes de la Primera Guerra Mundial, cuando surgió un problema en el proceso de distribución de gas natural. Una sección de la tubería en un campo de gas natural pasó debajo de una corriente fría y el frío llevó a que muchos líquidos se acumularan en la misma, a veces hasta el punto de tapar la tubería completa. Pronto los ingenieros encontraron una solución: se construyeron instalaciones para enfriar y comprimir el gas natural y para separar los gases que se podían transformar en líquidos (incluido el propano y el butano).

El gas natural y el propano se utilizan como gases combustibles industriales para cortar por soplete, biselar, calentar, templar con soplete, rebajar la tensión, soldadura fuerte y soldadura blanda.

### CILINDROS DE PROPANO Y DE GAS NATURAL

El gas natural se transporta mediante tuberías a la mayoría de las instalaciones que lo utilizan como un gas combustible. Se autorizó que el gas natural/metano se transporten en cilindros de gas comprimido licuado, según las normas DOT.

El propano está disponible en tanques de almacenamiento a granel en el lugar. También se puede obtener en cilindros de 5 a 420 libras (2 a 190 Kg).

### Especificaciones

SEGURIDAD	Gas natural	Propano
Sensibilidad a los golpes	Estable	Estable
Límites explosivos en oxígeno, porcentaje	5.0-59	2.4-57
Límites explosivos en aire, porcentaje	5.0-15	2.1-9.5
Máxima presión de utilización permitida	Varies	Cylinder 120 PSIG @ 70°F (800kPa à 21°C)
Tendencia retornos de llamas	Leve	Leve
Toxicidad	Baja	Baja

### PROPIEDADES DE COMBUSTIÓN

	Natural Gas	Propane
Temperatura de llama neutral °F (°C)	4600 (2538)	4579 (2526)
Velocidad de quema en oxígeno pies / seg. (m/seg.)	15.2 (4.6)	12.2 (3.7)
Llama primaria BTU / pie cúbico (MJ/m <sup>3</sup> )	55 (2.0)	295 (11.0)
Llama secundaria BTU / pie cúbico (MJ/m <sup>3</sup> )	995 (37.1)	2268 (84.5)
Calor total BTU / pie cúbico (MJ/m <sup>3</sup> )	1050 (39.1)	2563 (95.5)
Valor total de calent. (después de la vap.) BTU/libras (kJ/kg)	24800 (57660)	21600 (50140)
Temperatura de ignición automática °F (°C)	999 (537)	874 (468)



# GUÍA DE CALENTAMIENTO, CORTE Y SOLDADURA

## CONEXIÓN DE ENTRADA DEL REGULADOR Y SALIDA DE LA VÁLVULA

Gas natural	Por tubería
Metano	CGA 350
Metano (5500 Max. PSIG / 38,000kPa max)	CGA 695
Propano	CGA 510

\*Todos los valores son aproximados\*

Si se requieren más especificaciones detalladas, comuníquese con su proveedor de gas combustible para obtener las propiedades específicas del mismo.

### 3.04 PROPILENO Y GASES COMBUSTIBLES A BASE DE PROPILENO

El propileno, también conocido como propeno por la IUPAC, es un compuesto orgánico que posee la fórmula química  $C_3H_6$ . Es el segundo miembro más simple de la clase alqueno de hidrocarburos; el etileno (eteno) es el más simple. A temperatura y presión ambiente, el propileno es un gas. Es incoloro, altamente inflamable y posee un olor parecido al ajo. El propileno se encuentra en el gas del carbón y se puede sintetizar mediante el cracking de petróleo.

En diseños más nuevos, el cracking tiene lugar a través de un catalizador de ceolita muy activo en un tubo inclinado hacia arriba o vertical de corto tiempo denominado "tubo ascendente". El caudal precalentado se pulveriza en la base del tubo ascendente a través de boquillas de alimentación, en donde se pone en contacto con un catalizador fluidizado extremadamente caliente a una temperatura de 1230 a 1400 °F (665 a 760 °C). El catalizador caliente evapora el caudal y cataliza las reacciones de cracking que descomponen el aceite de alto peso molecular en componentes más livianos, incluido GLP, nafta y diesel. La mezcla hidrocarburo-catalizador fluye hacia arriba a través del tubo ascendente por sólo unos segundos y luego, la mezcla se separa a través de ciclones. Los hidrocarburos libres de catalizadores se envían a un fraccionador principal para separarlos en gas combustible, GLP, nafta, aceites de ciclo liviano utilizados en combustibles para motores a reacción y diesel y aceite combustible pesado.

Estos gases son gases combustibles industriales que se utilizan para cortar por soplete, biselar, calentar, templar con soplete, rebajar la tensión, soldar fuerte y soldar blando. También se pueden utilizar en ciertas aplicaciones para soldar hierro fundido y aluminio.

#### Cilindros de propileno y gases combustibles a base de propileno

Disponible en tanques de almacenamiento a granel en el lugar. También está disponible en cilindros portátiles de 30 libras y cilindros más grandes de 60 a 70 libras y de 100 a 110 libras.

#### Especificaciones

##### SEGURIDAD

Sensibilidad a los golpes	Estable
Límites explosivos en oxígeno, porcentaje	2.0-57
Límites explosivos en aire, porcentaje	2.0-10
Máxima presión de utilización permitida	Cilindro 135 PSIG a 70°F (930kPa a 21°C)
Tendencia retornos de llamas	Moderado
Toxicidad	Baja



# PROCEDIMIENTOS DE CUNCIONAMIENTO SEGURO Y DE INSTALACIÓN

## PROPIEDADES DE COMBUSTIÓN

Temperatura de llama neutral °F (°C)	5240 (2893)
Velocidad de quema en oxígeno pies / seg. (m/seg.)	15.0 (4.6)
Llama primaria BTU / pie cúbico (MJ/m <sup>3</sup> )	403 (15.0)
Llama secundaria BTU / pie cúbico (MJ/m <sup>3</sup> )	1969 (73.4)
Calor total BTU / pie cúbico (MJ/m <sup>3</sup> )	2372 (88.4)
Valor total de calent. (después de la vap.) BTU/libras (kJ/kg)	20000 (46400)
Temperatura de ignición automática °F (°C)	896 (480)

## CONEXIÓN DE ENTRADA DEL REGULADOR Y SALIDA DE LA VÁLVULA

- CGA 510 - .885" (22,5 mm) - 14 NGO-LH-INT (salida de petróleo, aceite y lubricantes)

\*Todos los valores son aproximados\*

Si se requieren más especificaciones detalladas, comuníquese con su proveedor de gas combustible para obtener las propiedades específicas del mismo.

## 3.05 GASES COMBUSTIBLES CON BASE DE GAS NATURAL O PROPANO MÁS ADITIVOS DE HIDROCARBUROS LÍQUIDOS

Estos gases combustibles están formados por una base de gas natural o propano, que se enriquece mediante un aditivo de hidrocarburo líquido. El aditivo de hidrocarburo líquido posee generalmente un punto de ebullición bajo y es una fracción éter de petróleo de n-pentano y/o isopentano. El n-pentano tiene un valor de calentamiento aproximado de 4249 BTU/pies cúbicos (158 MJ/m<sup>3</sup>).

El pentano agregado al gas natural mostrará un aumento superior del porcentaje de valor de calentamiento, ya que el valor de calentamiento BTU del gas natural es aproximadamente de 1050 BTU/pie cúbico (34,1 MJ/m<sup>3</sup>). Esto no supone que todos los gases combustibles indicados anteriormente utilicen n-pentano o isopentano como aditivo de hidrocarburo líquido.

Las propiedades físicas y combustibles de estos gases combustibles varían de acuerdo con el porcentaje de aditivos agregados a la base de gas natural o propano. Utilice las especificaciones generales para gas natural y propano como se indican en las páginas anteriores sólo como una guía. Comuníquese con su proveedor de gas combustible para obtener las propiedades específicas del gas combustible si se requieren más especificaciones detalladas.

## SECCIÓN 4: APARATOS DE OXICOMBUSTIBLE

Las estaciones de trabajo de oxicomcombustible típicas incluyen normalmente los siguientes artículos, cada uno diseñado para cumplir una función específica:

- Suministro de combustible y oxígeno
- Reguladores
- Manguera
- Mango de solpete (maneral)
- Aditamentos de corte y punta(s) (boquilla)
- Boquilla(s) de soldar
- Boquilla(s) para calentar
- Equipo de seguridad del operador

### 4.01 SUMINISTRO DE COMBUSTIBLE Y OXÍGENO

Existen dos tipos de estaciones de trabajo, portátil y estacionaria. La estación portátil generalmente recibe el suministro de cilindros montados en una carretilla. Las unidades estacionarias reciben el suministro mediante sistemas de colectores o de tuberías (vea la Figura 3). El sistema estacionario limita al operador al largo de manguera conectada al soplete de soldar.



#### PRECAUCIÓN

*Siempre preste atención a los gases que se utilizan en la estación. Sólo utilice el tipo de aparato diseñado para usar con esos gases.*

### 4.02 REGULADORES

Los reguladores de presión de combustible y oxígeno están conectados a los cilindros o a las salidas de tuberías para reducir las presiones elevadas de suministro o de cilindros a presiones de trabajo menores adecuadas para aplicaciones de oxicomcombustible. Las características externas básicas de un regulador son las que se muestran en la Figura 3. Conexiones de entrada CGA con filtro, tornillo regulable de presión, medidor de entrada, medidor de descarga, conexión de salida y válvula de descarga (donde se proporciona).

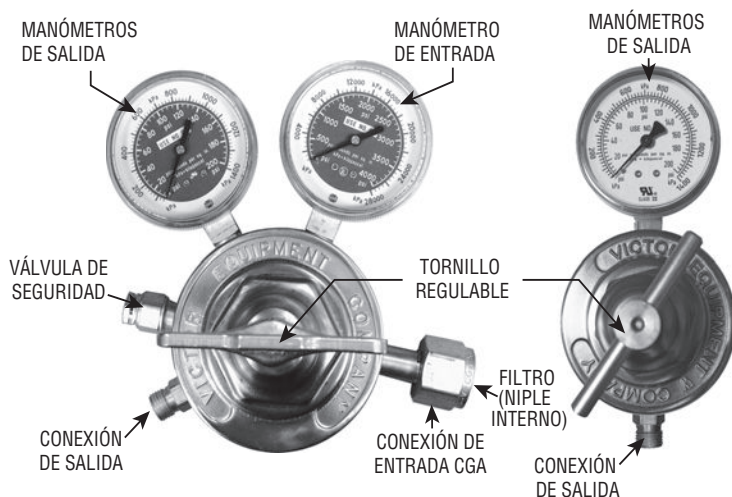


Figura 3a: Regulador del cilindro, características y regulador de estación

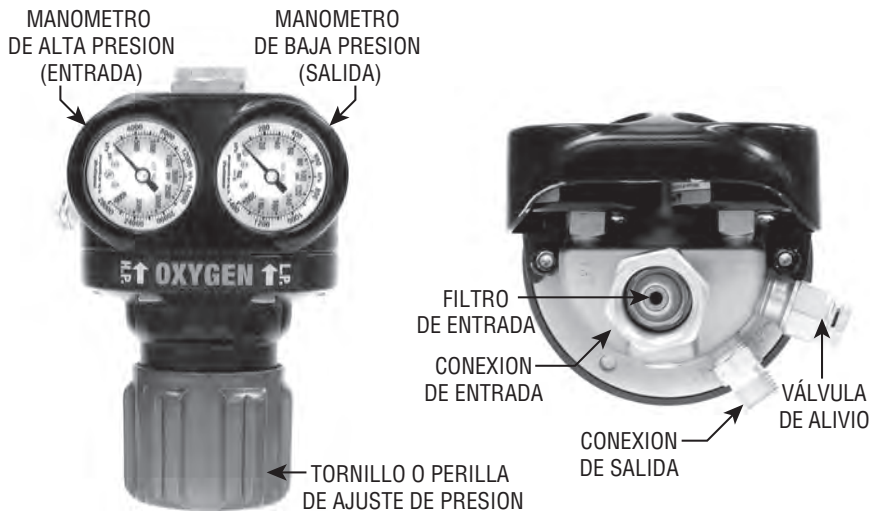


Figura 3b: Regulador de Edge™

## ADVERTENCIA

*Siempre mantenga el regulador libre de aceite, grasa y demás sustancias inflamables. Nunca utilice aceite ni grasa en el regulador, cilindro o conexión de colectores. Sólo utilice el regulador para el gas y la presión para la que se diseñó. NUNCA modifique un regulador para utilizar con ningún otro tipo de gas.*

### Conexión de entrada

Los reguladores se conectan a los cilindros o a las salidas de las tuberías a través de sus “conexiones de entrada”. Las conexiones de entrada deben tener un filtro limpio. Todas las conexiones de entrada cumplen con las especificaciones y normas establecidas por la Asociación de Gas Comprimido (CGA) y están marcadas con un número CGA de identificación. Los números CGA identifican la válvula y el servicio de gas del cilindro para los que esa conexión de entrada está diseñada. Ejemplos: CGA 510 se ha designado para las conexiones de cilindro de gas combustible estándar tales como acetileno y propano. Las conexiones CGA 540 están designadas sólo para el servicio de oxígeno. Las conexiones de entrada de gas combustible generalmente poseen roscas hacia la izquierda. Aquellas con roscas hacia la izquierda también poseen una ranura en “V” alrededor de la tuerca de entrada para designar la conexión para el servicio de gas combustible. Todas las conexiones de oxígeno poseen roscas hacia la derecha.

### Tornillo regulable de presión

El tornillo regulable del regulador controla la presión de descarga del gas a la manguera. Tal como se mencionó anteriormente, la función del regulador es reducir las presiones de suministro altas al margen de presión de trabajo adecuado. Cuando se gira el tornillo regulable en el sentido de las agujas del reloj, el regulador permite que los gases fluyan del regulador a las mangueras y al soplete. El tornillo regulable enroscado aplica fuerza mecánica a un resorte y diafragma que controla una válvula de presión en el regulador. Si el tornillo regulable se gira por completo en sentido contrario a las agujas del reloj, se libera la tensión en el resorte y, normalmente, el regulador no permite que el gas fluya. El tornillo regulable del regulador no pretende ser un mecanismo de “cierre”.

# GUÍA DE CALENTAMIENTO, CORTE Y SOLDADURA

---

## Medidores de presión

El medidor de presión de entrada indica la presión del suministro o del cilindro que ingresa al regulador. El medidor de presión de descarga indica la presión de descarga del regulador a la manguera. Todos los medidores son instrumentos de precisión; manéjelos con cuidado.

## Conexión de salida

Las mangueras para soldar están conectadas a la conexión de salida del regulador. La mayoría de los reguladores de gas combustible poseen conexiones de salida roscadas hacia la izquierda para acoplarse a las conexiones de la manguera hacia izquierda y tienen una ranura en “V” alrededor de la conexión de salida para designar la conexión para el servicio de gas combustible. Los reguladores de oxígeno poseen conexiones de salida roscadas hacia la derecha para acoplarse a las conexiones de manguera hacia la derecha.

## Válvula de descarga (cuando se proporciona)

Las válvulas de descarga externas o internas están diseñadas para proteger el lado de baja presión del regulador de daños por una subida de alta presión involuntaria.



### **ADVERTENCIA**

---

*NO altere ni extraiga la válvula de descarga del regulador. Las válvulas de descarga no pretenden proteger equipos de corriente baja de presiones altas.*

---

## Manguera

La manguera para soldar transporta gases de baja presión (200 PSIG (1400 kPa) máximo) desde los reguladores al soplete de soldar o cortar. El cuidado y mantenimiento adecuado de la manguera ayuda al operador a mantener un área de trabajo o taller con buen rendimiento y seguro.

## Construcción de mangueras

La manguera industrial para soldar que se utiliza en los Estados Unidos está generalmente codificada por colores para la identificación del servicio de gas. Normalmente, la manguera de oxígeno es verde y la manguera de combustible es roja. Los colores están sujetos a cambios en países que no sean los Estados Unidos. Las paredes de las mangueras están construidas de capas continuas de material de neopreno o caucho sobre una sección interna trenzada. La manguera está marcada para indicar su grado. Todas las mangueras de grado “T” y “RM”, tipo VD de fabricación nacional y aprobadas son resistentes al fuego y poseen una cubierta resistente al aceite. La manguera de grado “R” no posee una cubierta resistente al aceite. La manguera de grado “RM” y “T” se puede quemar, pero no soporta una llama si se extrae la fuente térmica. Se recomienda la manguera grado “T” para todos los gases combustibles. Las mangueras grado “RM” y “R” son sólo para el uso de acetileno.



### **ADVERTENCIA**

---

*Las mangueras de grado “RM” y “R” son sólo para el uso de acetileno. Estas mangueras poseen revestimientos de caucho que están degradados por gases combustibles de petróleo. Se recomienda la manguera grado “T” para todos los gases combustibles. Se debe utilizar con gases combustibles a base de petróleo, ya que posee un revestimiento interno de neopreno que es compatible con estos gases.*

---

## Cuidado de las mangueras

Las mangueras para soldar están generalmente expuestas a intenso maltrato. Pueden proporcionar un servicio eficiente si se cuidan adecuadamente. Los empalmes y la longitud excesiva de las mangueras pueden limitar y reducir la cantidad de flujo de gas en ellas. La escoria fundida y las chispas pueden entrar en contacto con las mangueras y arder en el exterior de las mismas. El metal que cae durante las operaciones de corte puede aplastar o cortar las mangueras para soldar. El operador debe inspeccionar a menudo las mangueras y reemplazarlas cuando sea necesario.

## Notas de seguridad

- Mantenga las mangueras para soldar lejos de metal, escoria o chispas que puedan caer.
- Nunca permita que las mangueras se cubran de aceite, grasa ni suciedad. Dichos revestimientos pueden ocultar las áreas dañadas.
- Examine las mangueras antes de conectarlas al mango del soplete para soldar o a los reguladores. Si se encuentran cortes, quemaduras, fisuras, áreas deterioradas o accesorios dañados, reemplace la manguera.
- Reemplace por completo la manguera para soldar si contiene múltiples empalmes o cuando se observen fisuras o deterioro grave.

## TÉRMINOS QUE DEBE CONOCER

**RETORNO DE LLAMA** - Retroceso de la llama en el soplete, que produce un sonido de estallido. La llama se extingue o volverá a inflamarse en la punta (boquilla).

**RETORNO DE LLAMA CONSTANTE** - Retroceso de la llama en el soplete con quema continua en el soplete. Esta condición puede estar acompañada por un sonido de estallido seguido de un sonido sibilante continuo.

**RETROCESO DE LLAMA** - Retroceso de la llama a través del soplete hacia la manguera e inclusive hacia el regulador. También puede alcanzar el cilindro. Esta condición posiblemente puede provocar una explosión en el sistema.

## 4.03 MANGO DEL SOPLETE (MANERAL)

El mango del soplete es esencialmente un conjunto de tubos de gas con válvulas de control. Un tubo y una válvula controlan el suministro de combustible y el otro tubo y válvula controlan el suministro de oxígeno. El mango del soplete no está diseñado para mezclar los gases para los procesos de oxcombustible. Los aparatos de soldar o de corte conectados al mango mezclan el oxígeno y los gases combustibles. El mango es una forma de control para el suministro de gas.

Los mangos para sopletes Victor® constan de seis elementos básicos según se muestran en (Figura 4). Las válvulas de control con válvulas de control de flujo inverso interno, el cuerpo "Y" con supresores internos de retroceso de llama, el barril y los tubos (ubicados dentro del tambor) y el cabeza del soplete.

### AVISO

*Los números de modelos de mangos para sopletes Victor® que contienen las letras "FC" indican que están equipados con supresores de retroceso (arrestadores) de llama incorporados y válvulas de retención (por ejemplo, 315FC). Los números de modelos con una "C" sólo contienen válvulas de retención incorporadas (por ejemplo, 315C). Versiones anteriores sin una "F" o "C" en el número del modelo no contienen ninguno de los dos (por ejemplo, 315). Para todos los mangos de soplete modelo "C" y versiones anteriores se recomienda que se instalen supresores de retroceso de llama. La mayoría de los supresores de retroceso de llama también contienen válvulas de retención incorporadas.*

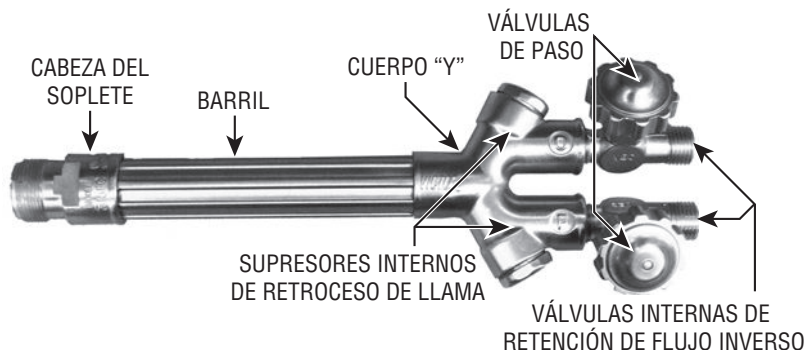


Figura 4: Características del mango del soplete

## Cuerpo "Y" con supresores internos de retroceso de llama

La mayoría de los mangos de soplete (manerales) Victor® están equipados con supresores incorporados de retroceso de llama. Los supresores de retroceso de llama están diseñados para evitar que los gases mezclados se enciendan más allá de los supresores de retroceso de la llama.



### PRECAUCIÓN

*No se recomienda utilizar supresores de retroceso de llama auxiliares en los mangos de soplete (manerales) FC de Victor®, ya que estos dispositivos ya están incorporados. Se pueden producir restricciones de flujo excesivas.*

## Información general sobre supresores de retroceso de llama

- Los supresores de retroceso de llama contenidos en este soplete están diseñados para evitar que una llama en retroceso ingrese a la manguera y al sistema de suministro de gas. Una barrera muy fina contra llamas, de acero inoxidable sinterizado "tipo filtro" detiene las llamas en retroceso.
- Para una máxima vida útil del supresor de retroceso de llama, purgue completamente todas los conductos y las mangueras antes de conectarlas al soplete. Esto elimina el material suelto contenido en la manguera o el regulador que pudiera limitar el flujo a través del supresor de retroceso de llama.
- Se produce sobrecalentamiento del soplete y restricción del flujo si se permite que los residuos "oleosos" o de suciedad de GLP fluyan en el supresor de retroceso de llama y que provoquen un atascamiento. Asegúrese de no sacar líquido. Siempre guarde y utilice los cilindros en posición vertical.

## Válvulas de control con válvulas internas de retención de flujo inverso

El cuerpo "Y" posee dos válvulas de control conectadas al mismo. Los cuerpos de las válvulas están marcados para distinguir entre las dos válvulas. El cuerpo de una válvula posee roscas hacia la izquierda para admitir la manguera de gas combustible. El cuerpo de la otra válvula posee roscas hacia la derecha para admitir la manguera de oxígeno. Las válvulas de control nunca requieren lubricación. Ocasionalmente, las tuercas de empaque pueden requerir un ajuste leve.

La mayoría de los mangos (manerales) de sopletes Victor® están equipados con válvulas de retención de caudal inverso incorporadas para reducir la posibilidad de mezclar gases en las mangueras y los reguladores.



## PRECAUCIÓN

*Las válvulas de retención son dispositivos mecánicos que pueden tener fugas cuando están sucias o si se maltratan. Se deben examinar las válvulas de retención al menos cada seis meses y si las mangueras se desconectan a menudo, se deben examinar más seguido. El uso descuidado, la suciedad o el maltrato pueden acortar la vida útil de las válvulas de retención por lo que requieren un examen más frecuente. Siga las instrucciones del fabricante para examinar las válvulas de retención.*

## AVISO

*Las válvulas de retención de caudal inverso no son iguales a los supresores de retroceso de llama. Las válvulas de retención están diseñadas para ayudar a evitar el flujo inverso de gas por el soplete. Los supresores de retroceso de llama están diseñados para evitar que los gases mezclados se enciendan más allá de los supresores de retroceso de la llama.*

### Barril

La unidad del tubo de oxígeno interno y del barril está diseñada para mantener separados los gases combustibles y el oxígeno. El diseño del tubo dentro de un tubo permite al suministro de oxígeno desplazarse a través del tubo interno hasta la cebza mientras el suministro de combustible recorre la cavidad interna del tambor.

### Cabeza del soplete

El cabeza del soplete se enrosca en el barril, lo cual crea un sello de metal a metal. No hay anillos tóricos (O-rings). El suministro de oxígeno desde el tubo interno está dirigido a través del orificio central en el cabeza, mientras que el suministro de combustible pasa a través de los orificios perforados alrededor del puerto centrado de oxígeno. Las superficies cónicas dentro del cabeza se acoplan con los anillos tóricos (O-rings) cuando se conecta el accesorio de soldar o cortar. Esto crea un sello hermético al gas. Nunca lubrique estas superficies. Si se dañan, un técnico calificado puede reacondicionar las roscas externas y las superficies internas del cabezal.

## 4.04 ADITAMENTO DE CORTE

El accesorio para cortes funciona como un enfoque económico y conveniente a las operaciones de corte, en donde la frecuencia y/o aplicación no requieren un soplete diseñado exclusivamente para cortar. Cuando se conecta a un mango (maneral) de soplete, el accesorio para cortes funciona como un soplete para cortes. Le proporciona al operador una amplia gama de capacidades de corte.

El accesorio para cortes consta de siete elementos básicos según se muestra en (vea la Figura 5). El extremo del cono, la tuerca de acoplamiento, la válvula de control de oxígeno de precalentamiento, la cámara de mezcla, la palanca y el tubo de oxígeno de corte, el cabeza del accesorio y la tuerca de punta (boquilla) para cortes.



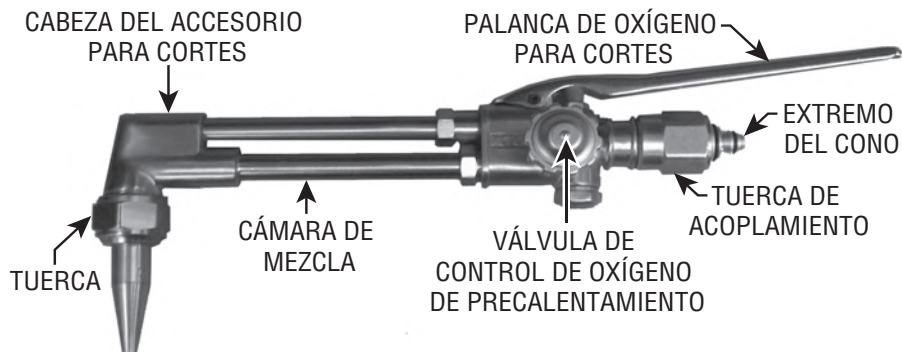


Figura 5: Características del aditamento de corte

## Extremo del cono y tuerca de acoplamiento

El extremo del cono y la tuerca de acoplamiento están diseñados para permitir una fácil conexión con el mango (maneral) del soplete. El extremo del cono está mecanizado para acoplarse con la unión cónica interna del cabeza del mango (maneral) del soplete. Los anillos tóricos (O-rings) en el extremo del cono permiten la separación continua del oxígeno y los gases combustibles. Los anillos tóricos también proporcionan un sello de ajuste manual para la conexión.



## ADVERTENCIA

*Siempre debe haber dos anillos tóricos (O-rings) en el extremo del cono. La ausencia o daño de alguno de estos anillos tóricos (O-rings) permitirá la mezcla previa y fugas de oxígeno y gases combustibles. Esto puede producir un retorno de llama constante dentro del mango (maneral) del soplete o del accesorio para cortes.*

El orificio central del extremo del cono, como el puerto central del cabeza del mango (maneral) del soplete, permite el paso del suministro de oxígeno. Los orificios alrededor del puerto de oxígeno permiten que el gas combustible se dirija a la cámara de mezcla en el tubo inferior del accesorio para cortes.

## Válvula de control de oxígeno de precalentamiento

Cuando el aditamento de corte se conecta al mango (maneral) del soplete, la válvula de control de oxígeno de precalentamiento en ese accesorio controla el suministro de oxígeno de precalentamiento proveniente del regulador. Para que funcione de esta forma, se debe abrir por completo la válvula de oxígeno en el mango (maneral) del soplete. El suministro de oxígeno de precalentamiento entonces aumenta o disminuye si se abre o cierra la válvula de control del aditamento de corte. La válvula de combustible en el mango (maneral) del soplete controla el suministro de combustible.

## Tubo de la cámara de mezcla

El combustible y el oxígeno se mezclan para producir la llama de precalentamiento deseada. Para lograr la mezcla necesaria de gases, se introduce combustible y oxígeno en una cámara de mezcla ubicada en la parte posterior del tubo de la cámara de mezcla del accesorio para cortes. El oxígeno se dirige al mezclador a través del tubo de oxígeno interno. El gas combustible se saca de la cavidad exterior del tubo inferior del accesorio alrededor del mezclador. Luego, los gases mezclados fluyen a través de los orificios de precalentamiento del cabeza del accesorio para cortes hasta los orificios de precalentamiento de la punta (boquilla) de corte.



## Tubo y palanca de oxígeno de corte

La palanca de oxígeno de corte se ubica sobre el cuerpo del accesorio para cortes. Cuando la válvula de control de oxígeno en el mango del soplete está abierta, rebajar la palanca permite que el oxígeno de corte fluya a través del tubo superior del accesorio para cortes y el puerto central del cabeza de este accesorio. El tubo de oxígeno superior está diseñado para permitir el suministro máximo de oxígeno a la operación de corte y proporcionar fuerza estructural por medio de la utilización de tuberías de alta potencia.

## Cabeza del accesorio para cortes

El cabeza del accesorio para cortes está diseñado para permitir que el oxígeno de corte y el gas de precalentamiento mezclado permanezcan separados durante la operación de corte. La parte exterior del cabeza del soplete está roscada y la parte interior es cónica. La unión cónica interna del cabeza es escalonada, lo que permite que los gases de precalentamiento alimenten la punta (boquilla) de corte a través de los orificios externos y el oxígeno de corte pueda dirigirse sin interrupción a través del puerto central de la punta (boquilla) al metal base caliente (vea la Figura 6). Las roscas externas en el cabeza permiten que una tuerca de punta (boquilla) comprima una punta (boquilla) de corte en el cabeza cónico. Esto crea un asiento firme de metal a metal, hermético al gas.

## Punta (boquilla) de corte

Las puntas (boquillas) de corte están disponibles en una gran variedad de configuraciones y tamaños. Las puntas (boquillas) de corte mantienen separadas la mezcla de gas de precalentamiento y la corriente de oxígeno de corte y proporcionan características de llamas necesarias para una aplicación de cortes particular. Las puntas (boquillas) se miden de acuerdo con el grosor del metal que pueden cortar. Por ejemplo, una punta (boquilla) número 000 está diseñada para cortar metal de 1/16" a 1/8" (1,6 - 3,2mm) de espesor y una punta (boquilla) número 00 corta metal de 1/8" a 1/4" (3,2 - 6,4mm) de espesor. Para obtener más información sobre los tamaños y surtidos de puntas (boquillas), consulte los cuadros ubicados en Sección 9.



## PRECAUCIÓN

*Asegúrese siempre de que su equipo esté preparado para el tamaño de punta (boquilla) que ha seleccionado. Una punta (boquilla) con demasiada capacidad para el equipo puede forzar u obstruir la punta (boquilla). Esto provoca sobrecalentamiento del cabeza y puede provocar un retorno de llama. Sólo utilice puntas (boquillas) originales Victor®, Cutskill® o Firepower®, boquillas para soldar y boquillas para múltiples llamas a fin de garantizar conexiones sin fugas y equipo equilibrado.*

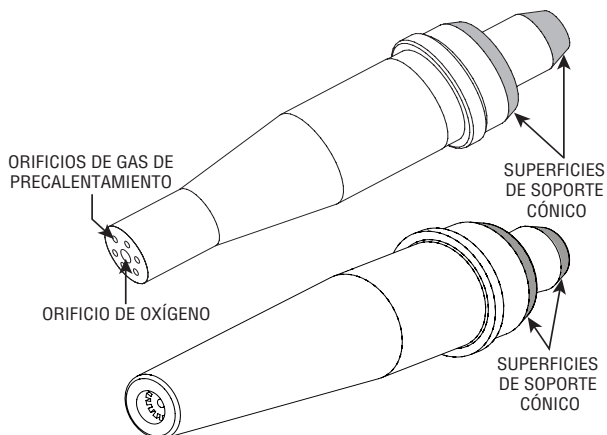


Figura 6: Punta (boquilla) de corte (1-1-101, GPN)

## Superficies de soporte cónico

El extremo cónico de la punta (boquilla) está mecanizado para encajar en el cabeza del accesorio para cortes. Una tuerca de punta (boquilla) asegura la punta (boquilla) en el cabezal. Las superficies cónicas forman un sello de metal a metal (vea la Figura 6). Revise el cabeza y los conos de punta (boquilla) con frecuencia para comprobar que no haya daños ni desgaste.



## ADVERTENCIA

*Una superficie de soporte dañada en la punta (boquilla) o en el cabeza puede crear una condición peligrosa, lo cual puede producir un retorno de llama o un retorno de llama constante. Esto podría dañar el accesorio para cortes. Si se daña la superficie de soporte de una punta (boquilla), NO la utilice. Deseche la punta (boquilla) dañada. Si el cabeza requiere reparación, lleve el soplete a un técnico cualificado.*

## Orificios de precalentamiento y de oxígeno

Las puntas (boquillas) de corte están sujetas a demasiado maltrato en las operaciones de corte. La escoria puede salpicar y pegarse en la punta (boquilla) de corte y así atascar u obstruir los pasajes por los que el gas debe fluir. Extraiga la salpicadura de los orificios de la punta (boquilla) con limas pequeñas y redondas (limpiadores de puntas (boquilla)).

## AVISO

*La limpieza repetida puede afectar la configuración de la llama y hacer que la punta (boquilla) sea poco adecuada para el trabajo de precisión.*

## Boquilla para soldar

El codo para soldar es un tubo de cobre telurio que se ha adherido en caliente a un tamaño de orificio específico en un extremo. Tal como las puntas (boquillas) de corte, las puntas (boquillas) de soldadura poseen un orificio calibrado para soldar distintos espesores de metal. Para obtener más información sobre los tamaños y surtidos de las boquillas, consulte el cuadro ubicado en Sección 9.

En el proceso para soldar mediante oxicom bustibles, la escoria puede salpicar y atascar el orificio de la punta (boquilla). Extraiga la salpicadura del orificio con una lima redonda (limpiador de puntas (boquillas))

## AVISO

*La limpieza repetida puede alterar el tamaño del orificio, lo que requerirá ajustes en el suministro de gas.*

### Boquillas para calentar de múltiples llamas (Llamas con varias salidas)

La boquilla para calentar de múltiples llamas es básicamente una gran boquilla para soldar (vea la Figura 7). La tuerca de acoplamiento y el ensamblaje del mezclador son parecidos en diseño a una boquilla para soldar. El cabeza de múltiples llamas está mecanizado para utilizar numerosas llamas. Esto proporciona capacidad de calentamiento adicional para aplicaciones de calentamiento pesadas.

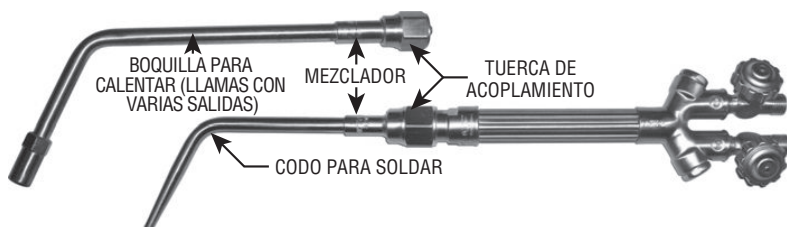


Figura 7: Boquilla para soldar

### Mezclador de gases

El extremo del cono de la boquilla para calentar/soldar es parecido al del extremo del cono del accesorio para cortes. La diferencia consiste en que el extremo del cono de la boquilla para calentar/soldar está diseñado para mezclar el oxígeno y los gases combustibles, mientras que no es así en el extremo del cono del accesorio para cortes. Cuando el oxígeno se encuentra con el gas combustible, se produce un efecto de mezcla homogénea. Esta mezcla completa de gases produce una composición de llamas bien equilibrada. Tal como el extremo del cono del accesorio para cortes, la boquilla para calentar/soldar posee dos anillos tóricos. Éstos mantienen la separación de gases antes de que se produzca la mezcla. Permiten una conexión de ajuste manual de la boquilla para soldar y del mango del soplete.

## ADVERTENCIA

*Siempre debe haber dos anillos tóricos en el extremo del cono. La ausencia o daño de alguno de estos anillos tóricos permite la mezcla previa y fugas de oxígeno y gases combustibles. Esto puede producir un retorno de llama o un retorno de llama constante dentro del mango del soplete.*

### Tuerca de acoplamiento

La tuerca de acoplamiento de la boquilla para calentar/soldar es parecida en diseño a la tuerca de acoplamiento del accesorio para cortes. Un anillo de bloqueo en la tuerca de acoplamiento se acopla con una ranura en la parte posterior del mezclador de la boquilla para soldar y así, permite que la tuerca proteja el extremo del cono y los anillos tóricos (vea la Figura 7). Revise los anillos tóricos enroscando y sacando la tuerca de acoplamiento del extremo del cono.

## PRECAUCIÓN

*Sólo utilice mangos de sopletes, boquillas para soldar y boquillas de múltiples llamas Victor®, Cutskill® o Firepower® originales para garantizar conexiones sin fugas y equipo equilibrado.*

## SECCIÓN 5: PREPARACIÓN DEL EQUIPO DE SOLDADURA

### 5.01 CILINDROS

Coloque los cilindros de gas combustible y oxígeno juntos donde se utilizan. Asegúrelos adecuadamente (vea la Figura 8). Encadene o asegure los cilindros a una carretilla para cilindros, pared, banco de trabajo, poste, etc.



Figura 8: Cómo asegurar los cilindros en la carretilla



#### **PRECAUCIÓN**

*Los cilindros están altamente presurizados. Siempre manéjelos con cuidado. Nunca permita que los cilindros se caigan, se golpeen o estén expuestos al calor excesivo. Cuando traslade los cilindros, siempre asegúrese de que las tapas de protección de las válvulas estén seguras en su lugar. Coloque las tapas de protección de las válvulas en un lugar donde se encuentren fácilmente. Reemplace la tapa cuando los cilindros estén vacíos o no se los utilice.*

#### **Notas importantes de seguridad**

- Siempre mantenga los cilindros seguros adecuadamente en posición vertical.
- No golpee, tire ni aplique calor a algún cilindro o válvula.
- Siempre mantenga las tapas de protección de las válvulas en su lugar cuando traslade los cilindros o cuando se encuentren en depósito, ya sea que estén llenos o vacíos.
- Marque los cilindros vacíos como “vacío” o “MT”.
- Cierre las válvulas por completo en los cilindros vacíos.
- No utilice un cilindro que no posea una etiqueta de identificación de gases adjunta al mismo.
- Cierre las válvulas completamente antes de extraer el regulador.

## 5.02 REGULADORES

1. Revise cuidadosamente la válvula del cilindro, las roscas del regulador y las superficies de acoplamiento para comprobar si existen indicios de aceite, grasa o suciedad. NO limpie las superficies de acoplamiento con su dedo. Asegúrese de que el regulador posea el volumen de presión correcto para el cilindro que se está utilizando (vea la Figura 9).



Figura 9: Cómo revisar el cilindro y la válvula del cilindro

### **ADVERTENCIA**

*NO utilice el regulador si se detecta aceite, grasa o alguna pieza dañada en el mismo o en la válvula del cilindro o si el filtro de entrada no está o está sucio (vea la Figura 9). Informe a su proveedor de gas sobre esta condición inmediatamente. Un técnico calificado debe limpiar o reparar el regulador.*

2. Momentáneamente abra y cierre la válvula del cilindro (comúnmente denominado “cracking”). Esto desplaza cualquier contaminante suelto que pudiera estar presente.

### **PRECAUCIÓN**

*Abra la válvula del cilindro sólo un poco. Si la válvula está demasiado abierta, el cilindro se puede caer. Cuando se realiza el “cracking” de la válvula del cilindro, NO se pare ni haga que nadie se pare directamente al frente de la abertura de la válvula. Póngase detrás o a un costado. Sólo realice el cracking de la válvula del cilindro en un área bien ventilada. Si un cilindro de acetileno pulveriza un vapor cuando se realiza el cracking, déjelo reposar durante 30 minutos. Luego, trate nuevamente de realizar el cracking en la válvula del cilindro. Si el problema persiste, comuníquese con su proveedor de gas.*

### **PRECAUCIÓN**

*Sólo utilice el regulador para el gas y la presión para la que se diseñó. NUNCA modifique un regulador para utilizar con ningún otro tipo de gas.*

3. Antes de conectar el regulador de oxígeno a la válvula del cilindro de oxígeno, revise cuidadosamente el regulador para comprobar si existen superficies de rodadura dañadas, polvo de sedimentos y grasa, aceite u otras sustancias inflamables. Extraiga los sedimentos y el polo con un paño limpio. Asegúrese de que el filtro giratorio de entrada esté limpio y en su lugar. Una el regulador con la válvula del cilindro. Ajústelo en forma segura con una llave.
4. Antes de unir el regulador de gas combustible a la válvula del cilindro de gas combustible, revise el regulador como en el paso tres. Ajuste en forma segura con una llave en la dirección necesaria para la conexión de gas combustible en particular que se está utilizando.
5. Conecte la manguera para soldar al accesorio de salida del regulador.
6. Antes de abrir las válvulas del cilindro, libere la tensión de los tornillos regulables del regulador girándolos en el sentido contrario a las agujas del reloj hasta que se libere toda la presión del resorte.

### Cómo encender los cilindros

1. Asegúrese de que se haya liberado la tensión en los tornillos regulables del regulador. Ubíquese de modo que la válvula del cilindro esté entre usted y el regulador.



#### ADVERTENCIA

*Nunca se pare ni haga que nadie se pare ni delante ni detrás del regulador cuando abre la válvula del cilindro. Siempre ubíquese de modo que el cilindro quede entre usted y el regulador (vea la Figura 10).*

2. Abra despacio y cuidadosamente la válvula del cilindro de oxígeno hasta que la presión máxima se registre en el medidor de presión alta. Ahora, abra la válvula del cilindro de oxígeno completamente para sellar el embalaje de válvulas.
3. Abra lentamente la válvula del cilindro de gas combustible de la misma forma.



#### PRECAUCIÓN

*Abra la válvula del cilindro de acetileno aproximadamente 3/4 de un giro y no más de 1 giro y 1/2. Para todos los otros gases combustibles, abra el cilindro completamente. Mantenga la llave del cilindro, si se requiere una, en la válvula del mismo de modo que se lo pueda apagar rápidamente en caso de que surja una situación de emergencia.*



Figura 10: Abrir la válvula del cilindro

## 5.03 MANGUERAS PARA SOLDAR

1. Conecte la manguera de oxígeno al regulador de oxígeno. Ajuste la conexión firmemente con una llave.
2. Ajuste el regulador de oxígeno para permitir que pasen de 3 a 5 PSIG (21 a 34kPa) a través de la manguera. Permita que el oxígeno fluya de 5 a 10 segundos para limpiar la manguera de sedimentos, suciedad o conservantes. Cierre el flujo de oxígeno.
3. Una y limpie la manguera de combustible de la misma forma.

### Notas importantes de seguridad

- Asegúrese de que las válvulas del cilindro y las conexiones del regulador estén completamente libres de sedimentos, suciedad, aceite o grasa.
- Si se detecta aceite, grasa o daños en las válvulas del cilindro, NO utilice el cilindro. Informe al proveedor del cilindro inmediatamente.
- Si se detecta aceite, grasa o daños en el regulador, NO utilice el regulador. Haga que un técnico calificado limpie o repare el regulador.
- Nunca se pare directamente ni delante ni detrás de un regulador cuando abre la válvula del cilindro. Ubíquese de modo que la válvula del cilindro esté entre usted y el regulador.
- Siempre abra las válvulas del cilindro lenta y cuidadosamente.
- Siempre verifique que no haya fugas en el regulador y en las conexiones de la válvula del cilindro.



### **ADVERTENCIA**

*Asegúrese de limpiar las mangueras en un área bien ventilada. Los gases de escape pueden causar fuegos y explosiones.*

*Mantenga las mangueras para soldar libres de cualquier metal, escoria o chispas que puedan caer.*

*Nunca permita que las mangueras se cubran con aceite, grasa o suciedad. Esto podría ocultar áreas dañadas en las mangueras.*

*Examine las mangueras antes de conectar el mango del soplete o los reguladores. Si encuentra algún corte, quemadura, área desgastada, grieta, o accesorio dañado, repare o reemplace la manguera.*

## 5.04 MANGO DEL SOPLETE

Debido a que los accesorios para cortes, las boquillas para soldar y las boquillas para calentar se encuentran todas conectadas al mango del soplete, éste último es probablemente el artículo más usado en un taller de soldadura. Asegúrese siempre de proteger el mango del soplete de posibles daños o usos incorrectos.

1. Compruebe que el cabeza del mango del soplete, las válvulas y las conexiones de la manguera no tengan aceite, grasa o partes dañadas.
2. Compruebe las conexiones de la manguera de la misma manera. NO las utilice si detecta aceite, grasa o daños.

3. Compruebe el mango del soplete. Las superficies de soporte cónico del cabeza deben estar en buenas condiciones. Si encuentra abolladuras o apoyos quemados, el apoyo debe ser reparado. Pueden producirse explosiones prematuras si el mango del soplete se utiliza con malas superficies de apoyo.
4. Si utiliza válvulas externas de retención o de retroceso de llamas, siga las instrucciones de instalación del fabricante.
5. Vea el AVISO de la Sección 4.03 y el Aviso de precaución de la Sección 4.03 para el uso de válvulas adicionales de retención y de retroceso de llamas.
6. Una la manguera para soldar al mango del soplete y ajústela de forma segura con una llave.

Victor® recomienda firmemente que se utilicen válvulas de retención de caudal inverso en el mango del soplete si es que ya no se encuentran incorporadas al mango del soplete. La válvulas de retención reducen la posibilidad de que los gases se mezclen en las mangueras y los reguladores, lo cual podría causar un retroceso de la llama. Un retroceso de la llama puede propagarse dentro de las mangueras, los reguladores o los cilindros, lo que puede ocasionar serios daños al equipo o causar lesiones al operador. Victor® recomienda además utilizar válvulas externas de retroceso de llamas si el mango del soplete no tiene ya incorporadas válvulas internas de retroceso de llamas, para reducir aún más la posibilidad de un retroceso de llamas (ver el AVISO de la Sección 4.03).

### 5.05 BOQUILLA PARA SOLDAR

1. Compruebe que el extremo del cono, la tuerca de unión, los anillos tóricos y la boquilla para soldar no tengan daño alguno, aceite o grasa. No los utilice si presentan daños o contaminantes.



#### **ADVERTENCIA**

---

*Siempre debe haber dos anillos tóricos en el extremo del cono. La ausencia o el daño de cualquiera de estos dos anillos tóricos permite que se premezclen el oxígeno y los gases combustibles. Esto puede conducir a una explosión prematura constante dentro del mango del soplete.*

---

2. Conecte la boquilla para soldar al mango del soplete. Ajuste la tuerca de unión CON LA MANO solamente. Si utiliza una llave podría dañar los anillos tóricos y crear un sellado defectuoso.

#### **Boquillas para calentar con múltiples llamas (Llamas con varias salidas)**

Las boquillas para calentar con múltiples llamas se instalan de la misma manera que la boquilla para soldar. Siga los procedimientos de seguridad y funcionamiento que se describen anteriormente para la instalación de la boquilla para soldar.



#### **PRECAUCIÓN**

---

*Nunca subalimente u obstruya una boquilla para soldar o una boquilla para calentar de múltiples llamas. Esto puede causar el sobrecalentamiento de la boquilla y una explosión prematura u ocasionar una explosión prematura constante. Si ocurriera una explosión prematura constante (las llamas saltan y desaparecen y/o se escucha una pitada, las llamas se queman dentro de la boquilla), apague inmediatamente la válvula de oxígeno en el mango del soplete. Luego, apague la válvula de combustible. Permita que se enfríe la boquilla antes de usarla. Si volviera a ocurrir una explosión prematura, haga que un técnico calificado verifique el aparato antes de volver a utilizarlo.*

---



# PROCEDIMIENTOS DE CUNCIONAMIENTO SEGURO Y DE INSTALACIÓN

## Prueba de fugas en el sistema

Antes de encender el soplete, se le DEBEN realizar pruebas al sistema para comprobar que no existen fugas. Para realizar las pruebas de fugas en el sistema, siga los siguientes pasos.

1. Asegúrese de que tanto los controles de la válvula de oxígeno como los controles de la válvula de combustible en el soplete estén cerrados.
  2. Teniendo abierta la válvula del cilindro de oxígeno, ajuste el regulador de oxígeno para que libere 20 PSIG (140kPa).
  3. Teniendo abierta la válvula del cilindro de combustible, ajuste el regulador de combustible para que libere 10 PSIG (70kPa).
  4. Cierre las dos válvulas del cilindro, la de oxígeno y la de combustible.
  5. Gire los tornillos de ajuste  $\frac{1}{2}$  vuelta en sentido contrario a las agujas del reloj.
  6. Observe los medidores en ambos reguladores durante cinco minutos. Si las lecturas del medidor no cambian, entonces el sistema no contiene fugas. Si existiera una fuga, utilice una solución aprobada de detección de fugas para localizarla.
- Si la lectura del medidor de entrada disminuye, existe una fuga en la válvula del cilindro o en la conexión de entrada. Ajuste la conexión de entrada luego de que se haya liberado la presión del regulador. Si la conexión de entrada todavía contiene fugas, pruebe con otro cilindro, si encuentra la misma fuga, leve el regulador a un técnico calificado para que lo repare.
  - Nunca ajuste una válvula del cilindro.
  - Si la válvula del cilindro contiene fugas, retire el regulador del cilindro, coloque el cilindro al aire libre y notifique inmediatamente a su proveedor de gas. Si la lectura del medidor de salida disminuye, existe una fuga en la conexión de salida del regulador, dentro de la manguera, en la conexión de entrada del soplete o en las válvulas de control en el mango del soplete. Ajuste la conexión de salida del regulador y la conexión de entrada del mango del soplete luego de que se haya liberado la presión del sistema.
  - Si todavía existen fugas en las conexiones, haga reparar el regulador o el mango del soplete por un técnico cualificado.
  - Si las mangueras contienen fugas, reemplácelas.
  - Si el medidor de alta presión baja y al mismo tiempo el medidor de salida aumenta, existe una fuga en el apoyo del regulador. Haga reparar el regulador por un técnico cualificado.
7. Luego de realizar las pruebas para comprobar que no existen fugas en el sistema, abra las válvulas del cilindro y continúe.



## ADVERTENCIA

*Si ha detectado alguna fuga en cualquier parte del sistema, suspenda el uso y haga reparar el sistema. NO utilice equipos de prueba de fugas. No intente reparar un sistema con fugas mientras el sistema se encuentra bajo presión. Lleve a cabo todas las operaciones de soldadura en un área bien ventilada para ayudar a prevenir la concentración de humos inflamables o tóxicos.*

## 5.06 PREPARACIÓN DE LA SOLDADURA, ENCENDIDO DEL SOPLETE Y AJUSTE DE LA LLAMA

1. Verifique el grosor de los metales que van a ser soldados. Prepare los metales según se describe en la figura 13. Remítase a los gráficos de selección de las puntas (boquillas) de soldadura de la Sección 9 para determinar el tamaño de la punta (boquilla) y las presiones del regulador que se necesitan para este trabajo.
2. Abra la válvula de oxígeno en el mango del soplete y ajuste el regulador de oxígeno para lograr el alcance de salida necesario. Luego, cierre la válvula de control de oxígeno en el mango del soplete; esto purgará la manguera de oxígeno.
3. Abra la válvula de combustible en el mango del soplete y ajuste el regulador de combustible para lograr el alcance de salida necesario. Luego, cierre la válvula de control de combustible en el mango del soplete, esto purgará la manguera de combustible.



### ADVERTENCIA

*Aunque el mango del soplete y las mangueras ya estén conectadas a los reguladores, aún se DEBE purgar el sistema en un área bien ventilada luego de cada apagado. Abra la válvula de oxígeno 1/2 giro. Permita que el gas circule durante diez segundos para las puntas (boquillas) de hasta un tamaño tres y durante 5 segundos para puntas (boquillas) de tamaños 4 y más grandes para cada 25 pies (7m) de manguera en el sistema. Cierre la válvula de oxígeno y purgue el sistema de combustible de la misma manera.*

4. Utilice las gafas protectoras recomendadas (sombreado 5 o más oscuras) con lentes templados para proteger sus ojos de la luz. Utilice ropa protectora según sea necesario (ver “Ropa protectora”, en la Sección 2.02).

### AVISO

*Las siguientes instrucciones cubren los procedimientos de ajuste del soplete para acetileno solamente. Comuníquese con su proveedor de gas para obtener instrucciones sobre el uso de otros gases combustibles.*

5. Mantenga el soplete en una mano y el encendedor de chispas en la otra. Asegúrese de que el encendedor de chispas se encuentra lejos de la punta (boquilla) y no obstruye la circulación del gas.

**AVISO:** *Los gases combustibles alternos tienden a “flotar” cuando se encienden. Una de las maneras más seguras de encender el gas combustible alternativo es colocar la punta (corte, calentamiento y soldadura de aleación) en un ángulo de 45 grados con la pieza que se está trabajando. Abra la válvula de gas combustible del soplete aproximadamente 1/4 de vuelta y encienda el gas combustible. Abra la válvula de gas combustible aproximadamente otros 3/4 de vuelta y agregue oxígeno mientras la punta permanece en un ángulo de 45 grados con la pieza que se está trabajando. Levante el soplete y regula el para obtener una llama neutra. Nunca abra y encienda el gas combustible y el oxígeno al mismo tiempo.*

6. Abra la válvula de combustible del soplete dando aproximadamente 1/8 vuelta e inflame el gas.



*No apunte con las llamas a personas, equipo y a todos los materiales inflamables.*

7. Continúe abriendo la válvula de combustible hasta que las llamas dejen de echar humo (ver figura 11).

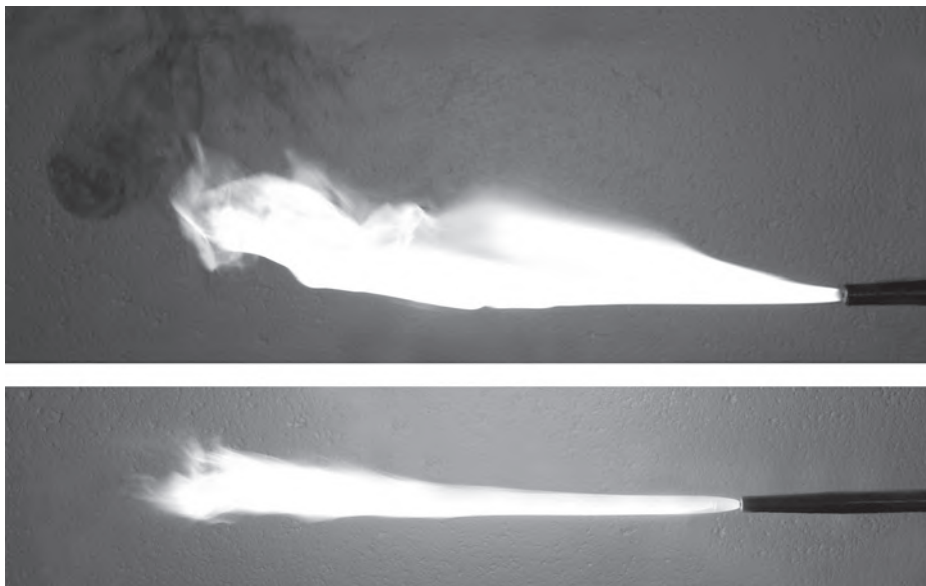


Figura 11: Ajustar las llamas

8. Abra la válvula de oxígeno del soplete hasta que se establezca una llama neutra y brillante. (ver figura 12).

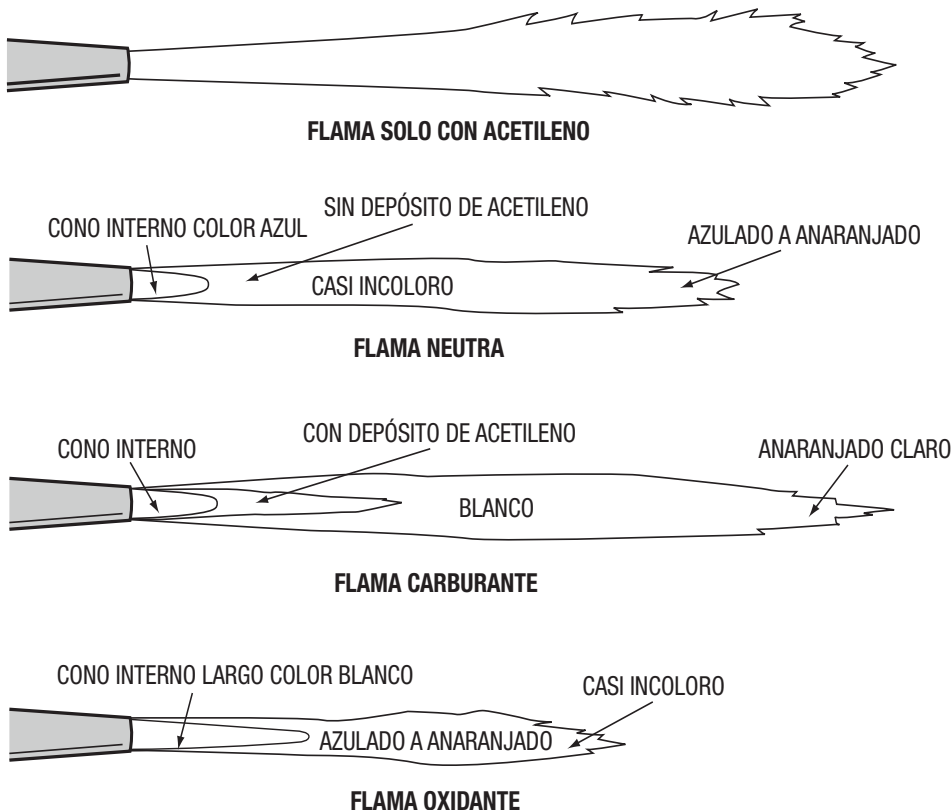


Figura 12: Llamas de soldadura de acetileno

## AVISO

Gases combustibles tales como el propano, el propileno, MPS, gas natural y otros producirán llamas con diferentes intensidades de color azul. Para conseguir una llama neutra utilizando uno de estos gases combustibles, ajuste la llama hasta donde la lengua quede reducida al cono interior. El ajuste neutro se logra cuando se consigue una punta de cono interior de pequeño radio y color azul profundo. Una vez que se ha conseguido este ajuste, aumente la alimentación de oxígeno o reduzca la de combustible para hacer que el cono interior tome un color azul más claro y así la llama comenzará a ser oxidante.

## ⚠️ ADVERTENCIA

Si experimenta una explosión prematura constante (una pitada estridente cuando la llama está ardiendo dentro de la boquilla para soldar), apague inmediatamente la válvula de oxígeno en el mango del soplete. Luego, apague la válvula de combustible. Permita que el soplete y la boquilla se enfríen antes de intentar volver a usarlos. Si volviera a ocurrir una explosión prematura, lleve el aparato a un técnico calificado para que lo repare antes de utilizar nuevamente el equipo.

## SECCIÓN 6: PROCEDIMIENTOS DE SOLDADURA

En una soldadura de oxicom bustible, se unen dos metales derritiendo o fusionando sus superficies colindantes. Esto se logra dirigiendo una llama de oxicom bustible sobre los metales hasta que se forme una poza de soldadura fundida. Cualquier material extraño en la poza de soldadura fundida cambiará y debilitará la composición de los metales. Luego se introduce una varilla de metal de aportación a la poza de soldadura fundida para ayudar a que los metales se fusionen conjuntamente.

### 6.01 PREPARACIÓN DE LOS METALES QUE SE VAN A SOLDAR

1. Limpie las juntas de los metales que se van a soldar para que no queden escamas, óxidos, suciedad, pintura, grasa y materiales extraños.
2. Algunos metales más gruesos pueden necesitar una preparación especial. Los metales básicos de 1/8" o más pequeños no necesitan un corte biselado (ver figura 13, Además; ver figura 15).
3. Coloque el metal que se va a soldar sobre una mesa de trabajo ignífuga y determine dónde se deberán fijar las tachuelas.

#### PREPARACIONES ADICIONALES

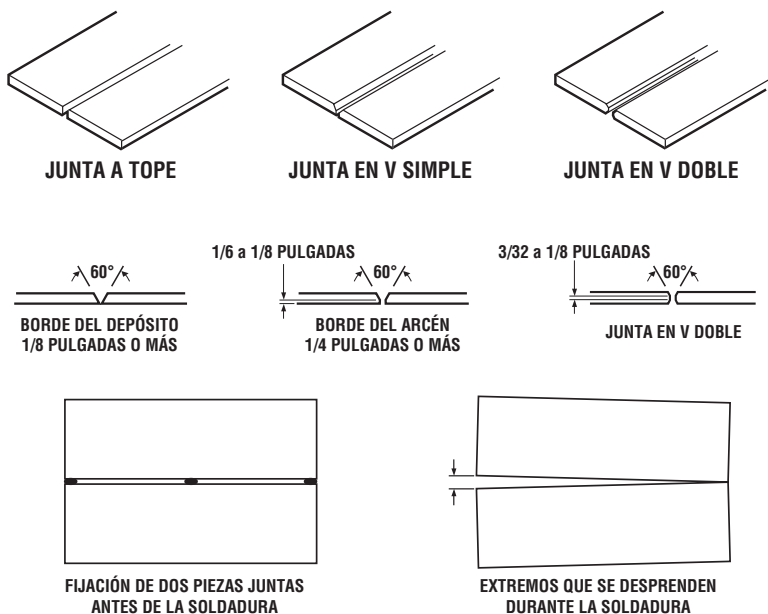


Figura 13: Preparación del metal

### 6.02 EVITAR QUE LOS METALES SE DEFORMEN

1. Comience fijando los extremos de las dos piezas del metal juntas antes de soldarlas. Puede suceder que las piezas más largas se deban fijar a pocas pulgadas de la junta (ver figura 13).
2. Las piezas más largas pueden necesitar una ranura de penetración adicional, Victor® recomienda una ranura de 1/16" a 1/8" (1,6 a 3,2mm).

## 6.03 TÉCNICAS DE SOLDADURA DIRECTA Y SOLDADURA DE REVÉS

Se emplean dos técnicas para la soldadura de oxicombustible, la soldadura directa y la de revés (ver figura 14). La técnica de soldadura directa se recomienda cuando se desea soldar algún material de hasta 1/8" (3,2mm) de grosor, debido a que se obtiene un mejor control de la pequeña poza de soldadura fundida. La soldadura de revés es generalmente más apropiada cuando se desea soldar materiales de un grosor mayor a 1/8" (3,2mm). Con la soldadura de revés se logra normalmente una mayor velocidad y una mejor fusión en la raíz de la soldadura.

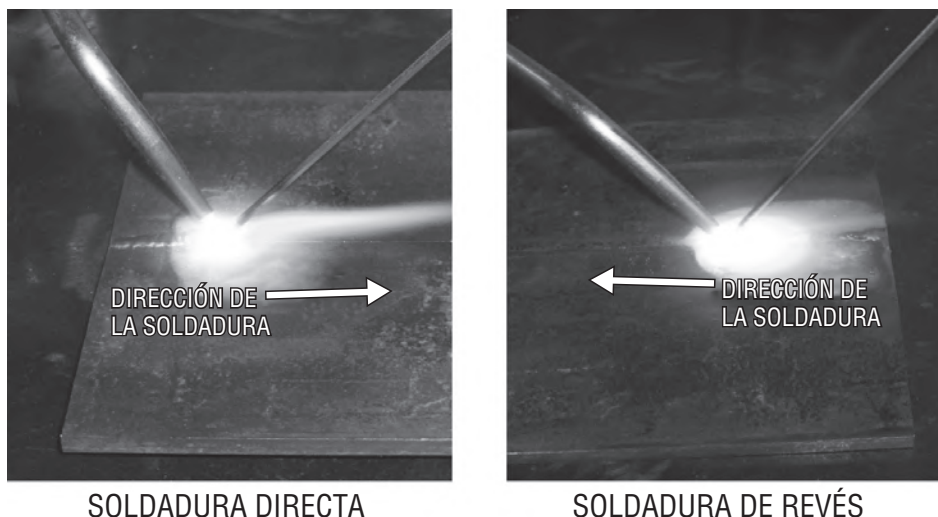


Figura 14: Metal de 1/8" (3,2mm)

En la técnica directa, la varilla para soldar precede la punta (boquilla) en la dirección de la soldadura. La llama se apunta en la misma dirección que la soldadura. Se dirige hacia abajo en un ángulo que precalienta el borde de la junta. La boquilla y la varilla para soldar se pueden manipular.

En la soldadura de revés, la punta (boquilla) del soplete precede la varilla en la dirección de la soldadura. La llama se apunta hacia atrás hacia la poza de soldadura fundida y la soldadura completa. El extremo de la varilla para soldar se coloca en la llama entre la boquilla y la soldadura.

## 6.04 COMENZAR Y TERMINAR LA SOLDADURA

La soldadura a tope directa con la varilla de metal de aportación es una de las juntas fabricadas más comunes. El procedimiento básico de la soldadura a tope se puede aplicar a cualquier otro tipo de junta:

1. Fije o fusione los metales básicos en los intervalos predeterminados.
2. Mantenga la boquilla del soplete a un ángulo de aproximadamente 45° hacia la junta (ver figura 15).
3. Mueva la boquilla del soplete sobre los bordes iniciales de la junta. Gire las llamas cerca del metal en movimientos circulares o semicirculares hasta que los metales básicos se derritan formando una pequeña poza de soldadura fundida.
4. Sumerja el extremo de la varilla de metal de aportación dentro y fuera de la poza de soldadura fundida, esto derrite la varilla y la agrega a la poza.

# PROCEDIMIENTOS DE CUNCIONAMIENTO SEGURO Y DE INSTALACIÓN

5. Continúe sumerjiendo la varilla de metal de aportación dentro de la poza. Luego, mueva el soplete de un lado hacia otro a través de la junta.
6. Adelante la boquilla del soplete a razón de aproximadamente  $1/16''$  (1,6mm) de la varilla de metal de aportación a medida que se agrega a la poza de soldadura fundida hasta que se llegue al extremo de la junta.
7. Debido a que el ángulo de la llama de la boquilla está precalentando los metales delante de la soldadura, la última  $1/2''$  (12,7mm) de la soldadura es fundamental. Aumente la adición de la varilla de metal de aportación para asegurar una soldadura completa y pareja. Remítase a la figura 16 para observar las características visuales de una junta soldada de forma correcta e incorrecta.

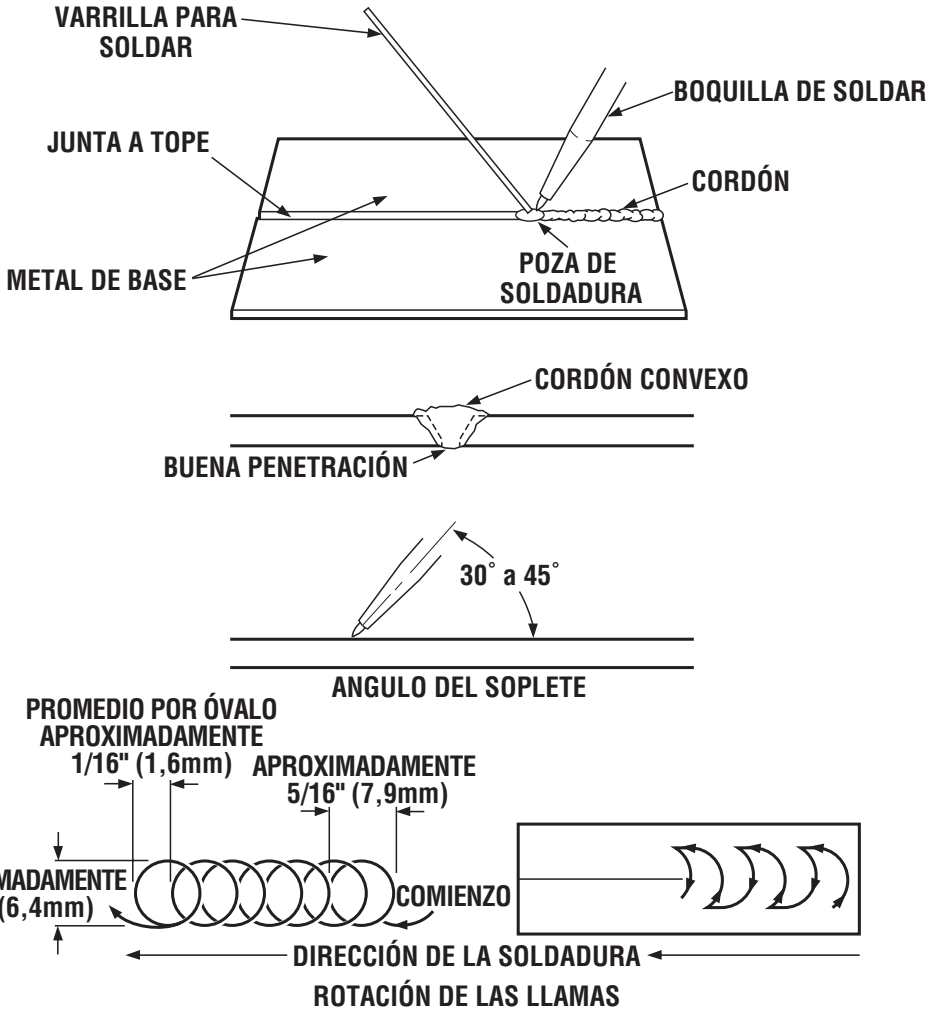


Figura 15: Comenzar y terminar la soldadura

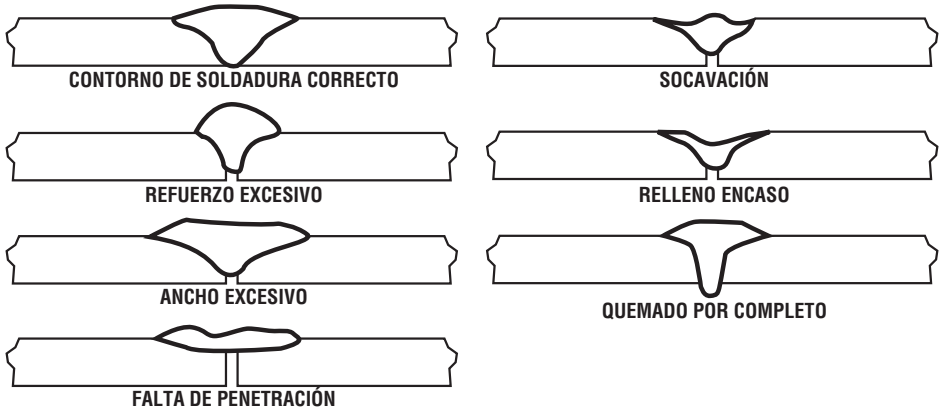


Figura 16: Características de juntas soldadas de forma correcta e incorrecta

## 6.05 SOLDADURA FUERTE DE OXICOMBUSTIBLE Y SOLDADURA DE LATÓN

La soldadura fuerte es un proceso que se caracteriza por el calentamiento de los metales básicos a temperaturas mayores a 840°F (450°C), mientras se mantiene por debajo del punto de fusión de los metales. En términos generales, la mayoría de los metales se pueden unir en una simple operación de soldadura fuerte siempre y cuando se utilice una varilla de metal de aportación o un fundente apropiados.

### AVISO

*Siempre asegúrese de estar utilizando la varilla de metal de aportación y el fundente apropiados para el trabajo a realizar.*

Comuníquese con su proveedor local Victor® para obtener gráficos acerca de las diferentes varillas de metal de aportación y fundentes disponibles. Se necesitan fundentes para preparar los metales que se van a unir.

Como en la soldadura de arco, la soldadura fuerte utiliza metales fundidos para unir dos piezas de metal. El metal que se agrega durante el proceso tiene un punto de fusión menor que el metal de la pieza de trabajo. La soldadura fuerte utiliza metales con un punto de fusión más alto, (840°F / 450 °C). La soldadura fuerte no funde el metal sobre el cual se trabaja. El proceso de soldadura fuerte no crea generalmente distorsiones o debilidades en la pieza de metal de trabajo que sí pueden ocurrir con otras aplicaciones de soldadura. La soldadura fuerte produce una junta fuerte y generalmente se utiliza para unir metales diferentes al acero, como el latón.

### Preparación de los metales de soldadura fuerte

Una operación exitosa de soldadura fuerte puede depender de la proximidad de las tolerancias de las juntas. Generalmente, la holgura es entre 0,001" y 0,010" (0,025 y 0,25mm).





## PRECAUCIÓN

*Lleve a cabo los procesos de soldadura fuerte en un área bien ventilada. Los procesos de soldadura fuerte pueden originar humos tóxicos. Remítase a las Hojas de Datos de Seguridad del Material (MSDS) para obtener información acerca de la varilla y los fundentes para soldadura fuerte para asegurarse de que las medidas de seguridad adecuadas se encuentran en funcionamiento antes de comenzar a soldar.*

### Preparación de las aplicaciones de soldadura

1. Limpie la pintura, los óxidos, la grasa y la suciedad antes de comenzar con la operación de soldadura fuerte. Luego de limpiar las piezas, ensamble o fije las juntas de la soldadura fuerte.
2. Remítase a los Gráficos de Datos de la boquilla para soldar en la Sección 9 para ayudarse a seleccionar el tamaño adecuado de la boquilla para soldar y las posiciones del regulador de presión.
3. Siga todos los procedimientos de funcionamiento y de seguridad para preparar las boquillas para soldar y calentar.
4. Siga todos los procedimientos de funcionamiento y de seguridad para preparar los cilindros y los reguladores.

### Al finalizar todas las operaciones de soldaduras con aleación

Los siguientes procedimientos de soldadura fuerte descritos aplican a tiras de soldadura fuerte de lámina de acero. Sin embargo, las técnicas puede ser utilizadas para todas las aplicaciones de soldadura fuerte.

1. Caliente la punta (boquilla) de la varilla para soldadura fuerte y sumérjala en el fundente. Parte del fundente se pegará a la varilla caliente.

### AVISO

*Algunas varillas pueden ya estar revestidas con fundente.*

2. Precaliente el metal básico hasta lograr un color rojo apagado. Si el metal básico se calienta a una temperatura mayor a esta, puede desarrollar superficies óxidas.
3. Roce la varilla con fundente contra el metal caliente. Permita que parte del fundente se derrita y reaccione con el metal básico. El fundente derretido reacciona y limpia químicamente el metal básico.
4. Derrita pequeñas cantidades de la varilla con fundente a medida que realiza la soldadura fuerte. Si la varilla se mueve libremente y se “estaña” (se adhiere al metal básico caliente), ha conseguido la temperatura correcta.
5. Mantenga esta temperatura moviendo continuamente la llama sobre el metal. Continúe sumerjiendo la varilla dentro del fundente. Agregue la cantidad de varilla suficiente a la poza de soldadura fundida para formar el reborde.
6. Continúe cubriendo con estaño y forme un reborde hasta que se cubra toda la sección deseada.

## **GUÍA DE CALENTAMIENTO, CORTE Y SOLDADURA**

---

### **Una vez finalizadas todas las operaciones de soldadura y soldadura fuerte**

1. Apague la válvula de oxígeno del soplete. Luego, apague la válvula de combustible del soplete. Tenga cuidado de no apagar primero la válvula de combustible, esto podría producir un sonido de “estallido”. Cuando se produce el “estallido” arroja hollín del carbón en el soplete y con el tiempo puede obstruir parcialmente los conductos de gas y el supresor de retroceso de llama.
2. Cierre ambas válvulas del cilindro.
3. Abra la válvula de oxígeno del mango del soplete. Libere la presión del sistema y luego cierre la válvula de oxígeno del soplete.
4. Gire el tornillo de ajuste del regulador de oxígeno en sentido antihorario para liberar toda la presión del resorte.
5. Abra la válvula de combustible del mango del soplete y libere la presión del sistema. Cierre la válvula de combustible del soplete.
6. Gire el tornillo de ajuste del regulador de gas combustible en sentido antihorario para liberar toda la presión del resorte.
7. Después de algunos minutos, verifique los medidores de entrada para asegurarse de que las válvulas del cilindro se encuentran completamente apagadas y no queda presión alguna en el sistema.

## **SECCIÓN 7: PREPARACIÓN DEL EQUIPO DE CORTE**

El proceso de corte con oxicomcombustible consiste en el precalentamiento del punto inicial del metal que se cortará a una temperatura de inflamación con un color rojo guinda brillante. Una vez que se alcanza la temperatura de inflamación deseada se introduce una corriente de oxígeno de corte. De esta forma se inflama y quema el metal y se lleva la escoria (residuo oxidado). El corte oxicomcombustible puede aplicarse a acero al carbono simple, acero de baja aleación y algunos otros metales ferrosos. Los metales no ferrosos, acero inoxidable y hierro fundido generalmente no se cortan mediante el uso del equipo de oxicomcombustible.



### **PRECAUCIÓN**

*Utilice sólo auténticos mangos de soplete, accesorios para corte y puntas (boquillas) de corte Victor<sup>®</sup>, Cutskill<sup>®</sup> o Firepower<sup>®</sup> juntos para garantizar conexiones libres de fugas y un equipo equilibrado.*

### **7.01 PREPARACIÓN PARA APLICACIONES DE CORTE**

1. Inspeccione el extremo del cono, la tuerca de unión y el cabeza del soplete en busca de aceite, grasa o partes dañadas. También revise el extremo del cono en busca de anillos tóricos dañados o faltantes.



### **ADVERTENCIA**

*Si encuentra aceite, grasa o daño, NO utilice el aparato hasta que un técnico en reparación calificado lo limpie o repare. Los dos anillos tóricos ubicados en el extremo del cono deben estar en su lugar y en buenas condiciones. La ausencia de cualquiera de estos anillos tóricos permite la mezcla previa del oxígeno y gases combustibles. Como consecuencia se puede producir una explosión prematura constante dentro del mango del soplete y en el accesorio de corte.*

2. Inspeccione la punta (boquilla) de corte y el cabeza del accesorio de corte. Todas las superficies cónicas de soporte deben encontrarse en buenas condiciones. Deseche puntas (boquillas) de corte dañadas. Si encuentra abolladuras, partes quemadas o apoyos quemados, cambie el cabeza del soplete. Si utiliza el accesorio de corte con malas superficies de apoyo, se puede producir una explosión prematura o una explosión prematura constante.



### **ADVERTENCIA**

*Si los apoyos cónicos de la punta (boquilla) de corte están dañados (vea Figura 6), NO utilice la punta (boquilla). Las superficies de apoyo malas pueden causar una explosión prematura o explosión prematura constante.*

3. Inspeccione los orificios de precalentamiento y corte de oxígeno de la punta (boquilla). La escoria se puede adherir en o dentro de los orificios. Si los orificios están atascados u obstruidos, límpielos con el limpiador de punta (boquilla) del tamaño apropiado.
4. Inserte la punta (boquilla) en el cabeza del accesorio para corte. Ajuste bien la tuerca de la punta (boquilla) con una pinza (entre 15 y 20 lbs de torsión (20-27 Nm)) (vea Figura 17).



Figura 17: Cómo ajustar la tuerca de la punta

5. Conecte el accesorio para corte al mango del soplete y ajuste la tuerca de unión a mano hasta que esté apretada. NO utilice una pinza ya que se pueden dañar los anillos tóricos y puede crear un sellado defectuoso.
6. Consulte los cuadros de datos sobre la circulación de punta (boquilla) para obtener una punta (boquilla) de corte, regulador de presiones y velocidad de movimiento correctos (vea Sección 9).
7. Siga los procedimientos para el manejo y seguridad del regulador y cilindro.
8. Abra por completo la válvula de oxígeno del mango del soplete.
9. Abra la válvula de control de oxígeno de precalentamiento del accesorio para corte y ajuste el regulador de oxígeno a la presión de descarga deseada. De esta forma se purgará la manguera de oxígeno.
10. Cierre la válvula de control de oxígeno de precalentamiento.
11. Abra la válvula de combustible del mango del soplete y ajuste el alcance de descarga del regulador de combustible. De esta forma se purgará la manguera de combustible.
12. Cierre la válvula de control de combustible del mango del soplete.
13. Momentáneamente deprima la palanca de oxígeno de corte para purgar el conducto de oxígeno de corte ubicado en el accesorio para corte.

## **ADVERTENCIA**

*Si el mango del soplete y las mangueras ya están conectados a los reguladores, el sistema aún **DEBE** purgarse cada vez que se apague. Abra la válvula de oxígeno ½ giro. Permita que el gas fluya durante diez segundos en puntas (boquillas) de tamaño límite 3 y durante 5 segundos en puntas (boquillas) de tamaño 4 y de mayor tamaño por cada 25 pies (7m) de manguera en el sistema. Cierre la válvula de oxígeno y purgue el sistema de combustible del mismo modo.*

## **AVISO**

*Use siempre ropa protectora y gafas apropiadas para proteger sus ojos de la luz infrarroja (vea “ataavio protector”, Sección 2.02).*

## PROCEDIMIENTOS DE CUNCIONAMIENTO SEGURO Y DE INSTALACIÓN

14. Abra la válvula de combustible del mango del soplete aproximadamente 1/8 giro e inflame el gas con un encendedor de chispa. Asegúrese de que el encendedor de chispa esté alejado de la punta (boquilla) y no obstruya el flujo del gas.

**AVISO:** *Los gases combustibles alternos tienden a “flotar” cuando se encienden. Una de las maneras más seguras de encender el gas combustible alternativo es colocar la punta (corte, calentamiento y soldadura de aleación) en un ángulo de 45 grados con la pieza que se está trabajando. Abra la válvula de gas combustible del soplete aproximadamente ¼ de vuelta y encienda el gas combustible. Abra la válvula de gas combustible aproximadamente otros ¾ de vuelta y agregue oxígeno mientras la punta permanece en un ángulo de 45 grados con la pieza que se está trabajando. Levante el soplete y regula el para obtener una llama neutra. Nunca abra y encienda el gas combustible y el oxígeno al mismo tiempo.*

15. Continúe aumentando el suministro de combustible en el mango del soplete hasta que la llama deje de emitir humo.
16. Lentamente abra la válvula de control de oxígeno de precalentamiento en el accesorio para corte hasta que la llama de precalentamiento se establezca con un cono interno parejo.
17. Deprima la palanca de oxígeno de corte. Si es necesario, vuelva ajustar las llamas de precalentamiento levemente y obtenga una llama neutral aumentando el oxígeno de precalentamiento en el accesorio para corte hasta que las llamas de precalentamiento sean nuevamente neutras. Si las llamas de precalentamiento no poseen el mismo tamaño y el oxígeno de corte no es recto, apague el soplete, déjelo enfriar y limpie la punta (boquilla).



### ADVERTENCIA

*Nunca abra y encienda el soplete de gas combustible y oxígeno al mismo tiempo.*



### ADVERTENCIA

*Si experimenta una explosión prematura constante (la llama desaparece y/o se escucha un silbido agudo causado por la llama que se quema dentro del accesorio para corte), inmediatamente apague la válvula de control de oxígeno de precalentamiento ubicada en el accesorio para corte. Luego apague la válvula de combustible del mango del soplete. Deje que el accesorio para corte se enfríe antes de volver a encender el aparato. Si se produce una explosión prematura, pídale a un técnico en reparaciones calificado que revise el aparato antes de volver a utilizarlo.*

### AVISO

*Inspeccione las áreas donde caerán la escoria y las chispas. Los incendios graves y las explosiones son causados por un manejo descuidado del soplete. Tome todas las precauciones posibles. Tenga extinguidores de incendio a su disposición. Retire o proteja sustancias inflamables, incluyendo oxígeno o mangueras de combustible, antes de comenzar a trabajar. Consulte la Figura 23 en busca de una secuencia gráfica de los procedimientos recomendados para lograr un corte a llama eficaz.*

18. Sostenga el accesorio para corte y el mango del soplete cómodamente en ambas manos. Estabilice el soplete y ubique las llamas de precalentamiento de la punta (boquilla) en corte a aproximadamente a 1/4" (6,4mm) del metal básico.

## GUÍA DE CALENTAMIENTO, CORTE Y SOLDADURA

19. Dirija la llama de precalentamiento al punto donde desea comenzar a cortar (vea Figura 18). Antes de que pueda comenzar a cortar, precaliente el punto inicial del metal hasta que alcance una temperatura de inflamación donde se observe un color rojo guinda brillante. Cuando aparezca el punto rojo, deprima la palanca de oxígeno de corte lenta y completamente.

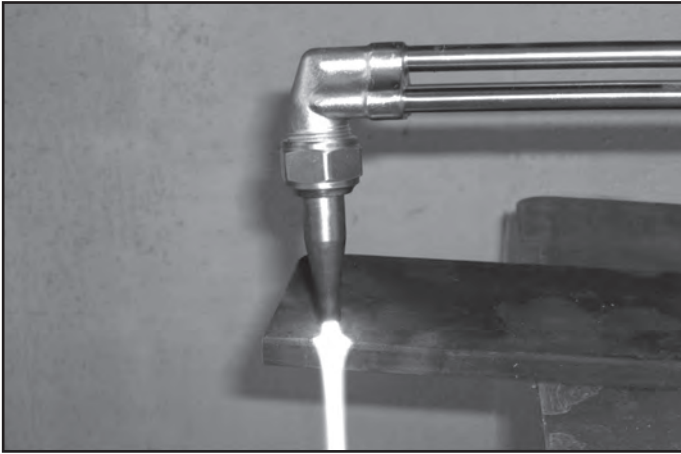


Figura 18: Cómo comenzar a cortar

20. Cuando comience el corte, desplace el soplete en la dirección hacia donde desea cortar (vea Figura 19).

### **AVISO**

*Desplazarse muy lentamente permite que el corte se fusione. Al desplazarse demasiado rápido el metal no se precalentará y se perderá el corte*

21. Continúe deprimiendo completamente la palanca de oxígeno de corte hasta que la corriente de oxígeno de corte pase el metal básico para obtener un buen corte por caída (vea Figura 23).

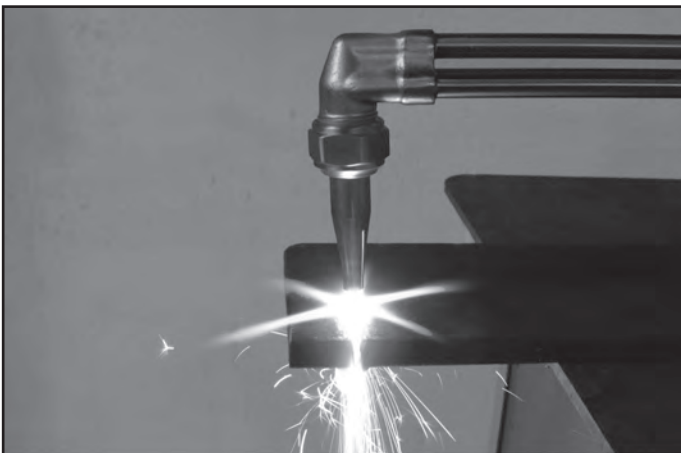


Figura 19: Corte

# PROCEDIMIENTOS DE CUNCIONAMIENTO SEGURO Y DE INSTALACIÓN

## Cómo comenzar un corte por perforación

1. Precaliente un punto pequeño en el metal básico hasta que alcance una temperatura de inflamación donde se observe un color rojo guinda brillante (vea Figura 20).

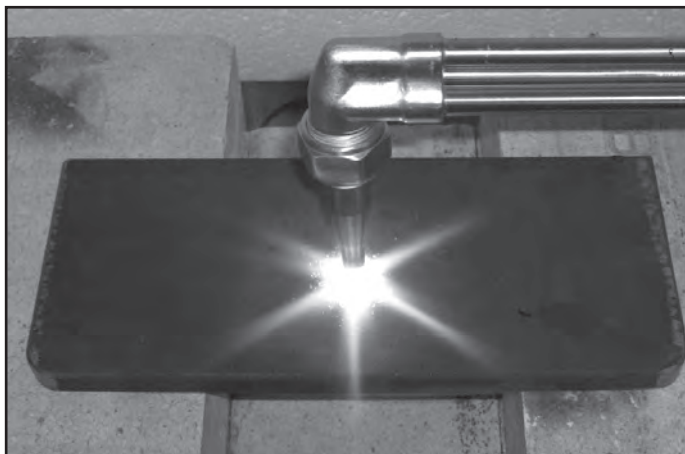


Figura 20: Cómo comenzar a perforar

2. Inclíne la punta (boquilla) del soplete levemente hacia un lado. De esta forma evita que las chispas y la escoria caigan sobre usted.
3. Una vez que perfore el metal, gire el soplete. Desplace el soplete ininterrumpidamente en la dirección que desea cortar (vea Figura 21).



Figura 21: Perforación

### **AVISO**

*Si el metal no está perforado por completo, esto podría significar que no existe un flujo suficiente de oxígeno. Otras posibilidades podrían ser: se está utilizando el tamaño de punta (boquilla), de manguera o la presión de oxígeno de corte incorrectos.*



Figura 22: Corte mediante perforación

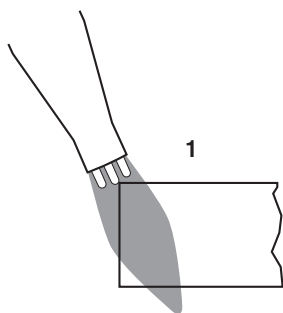
### Luego de finalizar todas las operaciones de corte

1. Apague la válvula de precalentamiento de oxígeno. Luego, cierre la válvula de combustible del soplete. Tenga cuidado de no apagar primero la válvula de combustible, esto podría producir un sonido de “estallido”. Cuando se produce el “estallido” arroja hollín del carbón en el soplete y con el tiempo puede obstruir parcialmente los conductos de gas y el supresor de retroceso de llama.
2. Cierre ambas válvulas de control de cilindro ubicadas en el suministro de fuente de gas.
3. Abra la válvula de oxígeno y deprima la palanca de oxígeno de corte. Libere la presión del sistema y luego cierre la válvula de precalentamiento de oxígeno y de control de oxígeno del mango del soplete.
4. Gire el tornillo de ajuste del regulador de oxígeno en sentido antihorario para liberar toda la presión del resorte.
5. Abra la válvula de control de combustible del soplete y libere la presión del sistema. Cierre la válvula de combustible.
6. Gire el tornillo de ajuste del regulador de gas combustible en sentido antihorario para liberar toda la presión del resorte.
7. Verifique los medidores internos luego de unos cuantos minutos para asegurarse de que las válvulas de cilindro están apagadas por completo y que no queda presión en el sistema.
8. Quite la escoria que queda en el borde del corte con un martillo de cincelar o cepillo. Nunca quite la escoria del borde de corte con el cabeza del soplete o la punta (boquilla) de corte.

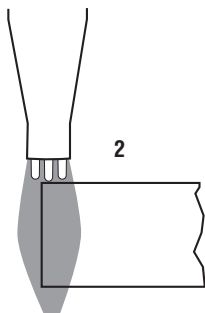


# PROCEDIMIENTOS DE CUNCIONAMIENTO SEGURO Y DE INSTALACIÓN

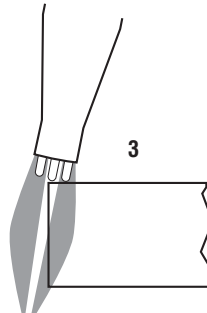
## Procedimiento recomendado para corte eficaz a llama de placa de acero



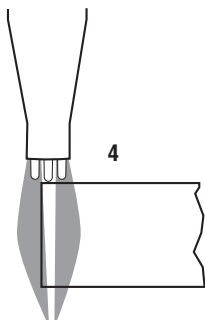
1  
Comenzar a precalentar: apuntar la punta hacia el ángulo en el borde de la lámina.



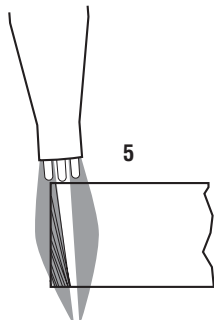
2  
Girar la punta hasta que esté derecha.



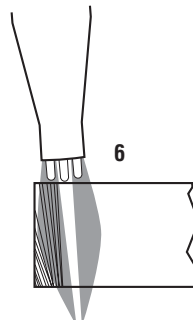
3  
Presionar la palanca de corte despacio y completamente, girar la punta levemente hacia atrás.



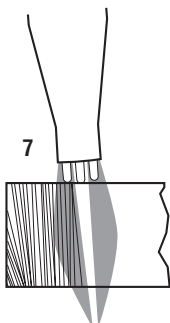
4  
Ahora girar hasta que esté derecha. Sin mover la punta hacia delante.



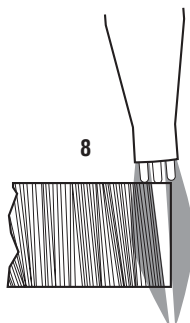
5  
Girar más la punta para que apunte levemente en dirección hacia el corte.



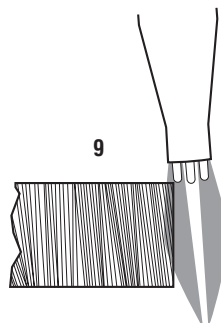
6  
Avance tan rápido como pueda, siempre haciendo un bien corte.



7  
No lo sacuda, mantenga el ángulo principal levemente en dirección al corte.



8  
Vaya más despacio; permita que la corriente de corte queme el borde de la esquina en la parte inferior.

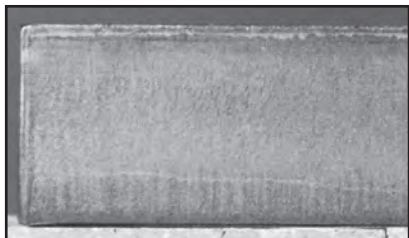


9  
Continúe con un movimiento firme hacia adelante hasta que la punta esté limpia.

Figura 23: Procedimientos recomendados para corte eficaz a llama

## SECCIÓN 8: CORRECCIÓN DE FALLAS

### Perfil de corte ideal



**Características:** Un corte de calidad produce un acabado perfecto que requiere poca o nada limpieza adicional. Los bordes de las láminas están limpios, rectos y sin escorias..

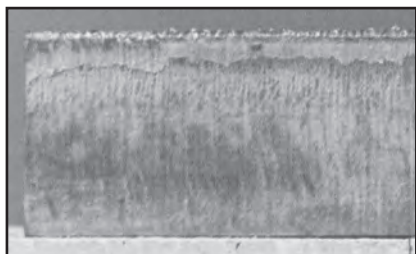
### Corte Demasiado Rápido



**Características:** Cuando la velocidad de movimiento es muy rápida, el borde superior de la lámina estará relativamente limpio y se adherirá una cantidad considerable de escoria a la parte inferior de la lámina. También se pueden producir ranuras y líneas estriadas que se desprenden desde la dirección del corte.

**Raíz del problema:** El chorro de oxígeno lleva oxígeno insuficiente para alcanzar la parte inferior del corte.

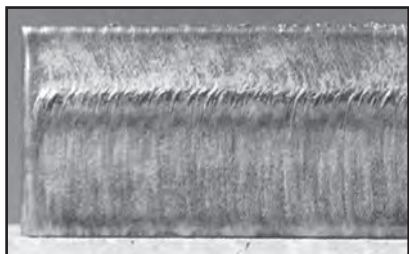
### La distancia entre la punta (boquilla) y la placa es demasiado grande



**Características:** Cuando la punta (boquilla) de corte se encuentra muy alejada de la lámina, el borde superior mostrará signos de haber sido soplado; esto es muy similar al efecto que produce el exceso de presión de oxígeno. El resto de la lámina, sin embargo, parece satisfactorio.

**Raíz del problema:** El precalentamiento no está enfocado en la superficie de la placa, el chorro de oxígeno se altera fácilmente.

### El flujo del oxígeno es demasiado elevado



**Características:** Cuando la presión de oxígeno de corte es muy alta, el exceso de presión hace que la corriente de oxígeno se expanda al entrar a la lámina. Esto provoca que el borde superior de la lámina esté irregular y "mal distribuido". La cara de la lámina es relativamente suave y libre de ranuras o marcas y la escoria es mínima. El sonido del corte es excepcionalmente fuerte.

**Raíz del problema:** Turbulencia entre la llama de precalentamiento y el chorro para corte.

## SECCIÓN 9: ESPECIFICACIONES



### ADVERTENCIA

*En ningún momento la velocidad de estiraje de un cilindro individual de acetileno debe sobrepasar 1/7 de contenidos del cilindro por hora. Si se requiere capacidad adicional de flujo, utilice un sistema múltiple de acetileno con suficiente tamaño para proveer el volumen necesario.*



### ADVERTENCIA

*Las altas velocidades de estiraje de gas requieren el uso de un sistema múltiple con tamaño suficiente para proveer el volumen necesario. Las altas velocidades de estiraje también pueden requerir el uso de un vaporizador.*



### PRECAUCIÓN

*Siempre asegúrese de que el equipo se clasifique según el tamaño de la punta (boquilla) que ha seleccionado. Una punta (boquilla) con demasiada capacidad para el equipo puede subalimentar u obstruir la punta (boquilla). Esto causa el sobrecalentamiento del cabeza y puede producir una explosión prematura. Utilice sólo auténticas Victor®, Cutskill® o Firepower® puntas (boquillas) de corte, toberas de soldadura y toberas de llamas múltiples para garantizar conexiones libres de fugas y equipo equilibrado.*

### AVISO

*Contenidos aproximados en BTU / pie cúbico (MJ/m<sup>3</sup>):*

- Acetileno - 1470 (54,8)      •Butano - 3374 (125,7)      •Gas natural - 1000 (373)
- Propano - 2458 (91,6)      •Metano - 1000 (37,4)      •Propileno - 2371 (88,3)

### DATOS SOBRE EL FLOJO DE LA BOQUILLA PARA SOLDAR

Espesor del metal pulg (mm)	Tamaño de la punta	Tamaño de la perforación	Presión del oxígeno PSIG (kPa)		Presión del acetileno PSIG (kPa)		Acetileno Consumo SCFH (LPM)	
			Mín	Máx	Mín	Máx	Mín	Máx
Up to 1/32 (0,8)	000	75 (0,022)	3 (20,7)	5 (34,5)	3 (20,7)	5 (34,5)	1 (0,5)	2 (0,9)
1/16 - 3/64 (1,6 - 1,2)	00	70 (0,028)	3 (20,7)	5 (34,5)	3 (20,7)	5 (34,5)	1 1/2 (0,7)	3 (1,4)
1/32 - 5/64 (0,8 - 2,0)	0	65 (0,035)	3 (20,7)	5 (34,5)	3 (20,7)	5 (34,5)	2 (0,9)	4 (1,9)
3/64 - 3/32 (1,2 - 2,4)	1	60 (0,040)	3 (20,7)	5 (34,5)	3 (20,7)	5 (34,5)	3 (1,4)	6 (2,8)
1/16 - 1/8 (1,6 - 3,2)	2	56 (0,046)	3 (20,7)	5 (34,5)	3 (20,7)	5 (34,5)	5 (2,36)	10 (4,7)
1/8 - 3/16 (3,2 - 4,8)	3	53 (0,060)	4 (27,6)	7 (48,3)	3 (20,7)	6 (41,4)	8 (3,8)	18 (8,5)
3/16 - 1/4 (4,8 - 6,4)	4	49 (0,073)	5 (34,5)	10 (69,0)	4 (27,6)	7 (48,3)	10 (4,7)	25 (11,8)
1/4 - 1/2 (6,4 - 12,7)	5	43 (0,089)	6 (41,4)	12 (82,7)	5 (34,5)	8 (55,2)	15 (7,1)	35 (16,5)
1/2 - 3/4 (12,7 - 19,0)	6	36 (0,106)	7 (48,3)	14 (96,5)	6 (41,4)	9 (62,0)	25 (11,8)	45 (21,2)
3/4 - 1 1/4 (19,0 - 31,7)	7	30 (0,128)	8 (55,2)	16 (110,3)	8 (55,2)	10 (69,0)	30 (14,2)	60 (28,3)
1 1/4 - 2 (31,7 - 50,8)	8	29 (0,136)	10 (69,0)	19 (131,0)	9 (62,0)	12 (82,7)	35 (16,5)	75 (35,4)
2 1/2 - 3 (63,5 - 76,2)	10	27 (0,144)	12 (82,7)	24 (165,5)	12 (82,7)	15 (103,4)	50 (23,6)	100 (47,2)
3 1/2 - 4 (88,9 - 101,6)	12*	25 (0,149)	18 (124,1)	28 (193,1)	12 (82,7)	15 (103,4)	80 (37,8)	160 (75,5)

\* Utilice el modelo de soplete HD310C y manguera de 3/8" (9,5mm).

# GUÍA DE CALENTAMIENTO, CORTE Y SOLDADURA

## BOQUILLAS PARA CALENTAR TIPO MFA

Tamaño de la punta	Acetileno Rango de presión PSIG (kPa)	Oxígeno Rango de presión PSIG (kPa)	Acetileno pies <sup>3</sup> /hr (m <sup>3</sup> /hr)		Oxígeno pies <sup>3</sup> /hr (m <sup>3</sup> /hr)		BTU/hr (J/hr)
			Mín	Máx	Mín	Máx	
4	6 - 10 (41 - 69)	8 - 12 (55 - 83)	6 (0,2)	20 (0,6)	7 (0,2)	22 (0,6)	Vea Aviso, página 45
6	8 - 12 (55 - 83)	10 - 15 (69 - 103)	14 (0,4)	40 (1,1)	15 (0,4)	44 (1,3)	
8	10 - 15 (69 - 103)	20 - 30 (138 - 207)	30 (0,9)	80 (2,3)	33 (0,9)	88 (2,5)	
10	12 - 15 (83 - 103)	30 - 40 (207 - 276)	40 (1,1)	100 (2,8)	44 (1,3)	110 (3,1)	
12*	12 - 15 (83 - 103)	50 - 60 (345 - 414)	60 (1,7)	150 (4,3)	66 (1,9)	165 (4,7)	
15*	12 - 15 (83 - 103)	50 - 60 (345 - 414)	90 (2,6)	220 (6,2)	99 (2,8)	244 (6,9)	

\* Utilice el modelo de soplete HD310C y manguera de 3/8" (9,5mm).

## BOQUILLAS TIPO 55 -

No puede usarse con acetileno

Tamaño de la punta	Presión del oxígeno PSIG (kPa)	Presión del gas combustible PSIG (kPa)	Consumición SCFH (LPM)		BTU/hr (J/hr)
			Oxígeno	Gas combustible	
10*	70 - 100 (480 - 689)	15 - 25 (103 - 172)	350 - 460 (135 - 217)	150 - 200 (71 - 94)	Vea Aviso, página 45
15*	90 - 120 (620 - 827)	20 - 35 (138 - 240)	600 - 800 (283 - 378)	250 - 350 (118 - 165)	
20*	100 - 150 (690 - 1034)	30 - 50 (207 - 344)	900 - 1150 (425 - 523)	400 - 500 (189 - 283)	

\* Utilice el modelo de soplete HD310C y manguera de 3/8" (9,5mm).

## BOQUILLAS PARA CALENTAR CON MÚLTIPLES LLAMAS

Tamaño de la punta	Propano rango de presión PSIG (kPa)	Oxígeno rango de presión PSIG (kPa)	Propano pies <sup>3</sup> /hr (m <sup>3</sup> /hr)		Oxygen pies <sup>3</sup> /hr (m <sup>3</sup> /hr)		BTU/hr (J/hr)
			Mín	Máx	Mín	Máx	
8	10 - 15 (69 - 103)	10 - 20 (69 - 138)	10 (0,3)	35 (1,0)	40 (1,1)	140 (4,0)	Vea Aviso, página 45
10	12 - 20 (83 - 138)	10 - 30 (69 - 207)	20 (0,6)	80 (2,3)	80 (2,3)	320 (9,1)	
12*	15 - 25 (103 - 172)	30 - 125 (207 - 862)	30 (0,9)	160 (4,5)	120 (3,4)	640 (18,1)	
15*	15 - 25 (103 - 172)	30 - 125 (207 - 862)	50 (1,4)	200 (5,7)	200 (5,7)	800 (22,7)	
20*	20 - 30 (138 - 207)	40 - 135 (276 - 931)	75 (2,1)	250 (7,1)	300 (8,5)	1000 (28,3)	

\* Utilice el modelo de soplete HD310C y manguera de 3/8" (9,5mm).

## PRECALENTAMIENTO DE LA PUNTA DE CORTE Y TAMAÑO DE PERFORACIÓN DEL ORIFICIO DE CORTE

Tamaño de la punta Orificio Tamaño*	Corte Oxígeno Tamaño	Tamaños de precalentamiento para los diferentes tipos de puntas								
		1-100 3-100	1-104	3-110 5-110	1-111	1-129	3-200 5-200	1-117	1-118 3-118	1-208
000	71									
00	67			65						
0	60	71		60	64		67		71	
1	56	67		56			64			
2	53	60		54	56	57	62		63	
3	50			53			60			
4	45				53	55	56		56	57
5	39						55			
6	31						54		57	57
7	28									
8	20		55					63	57	56
10	13		55						57	55
12	2								56	

\* Es lo mismo para todos los tipos con excepción de corte oblicuo, ranurado, separación de unión y alta velocidad.

# PROCEDIMIENTOS DE CUNCIONAMIENTO SEGURO Y DE INSTALACIÓN

## TIPOS 1-101, 3-101 (OXIACETILENO)

Espesor del metal pulg. (mm)	Tamaño de la punta	Oxígeno de corte		Precalentamiento Oxígeno* PSIG (kPa)	Acetileno			Entalladura Ancho pulg. (mm)
		Presión*** PSIG (kPa)	Flujo*** SCFH (LPM)		Presión PSIG (kPa)	Flujo SCFH (LPM)	Velocidad IPM (MPM)	
1/8 (3)	000	20 - 25 (138 - 172)	20 - 25 (9,4 - 11,8)	3 - 5 (21 - 34)	3 - 5 (21 - 34)	6 - 11 (0,17 - 0,31)	20 - 30 (0,51 - 0,76)	0,04 (1,02)
1/4 (6)	00	20 - 25 (138 - 172)	30 - 35 (14,2 - 16,5)	3 - 5 (21 - 34)	3 - 5 (21 - 34)	6 - 11 (0,17 - 0,31)	20 - 28 (0,51 - 0,71)	0,05 (1,27)
3/8 (9)	0	25 - 30 (172 - 207)	55 - 60 (26,0 - 28,3)	3 - 5 (21 - 34)	3 - 5 (21 - 34)	6 - 11 (0,17 - 0,31)	18 - 26 (0,41 - 0,66)	0,06 (1,52)
1/2 (13)	0	30 - 35 (207 - 241)	60 - 65 (28,3 - 30,7)	3 - 6 (21 - 41)	3 - 5 (21 - 34)	9 - 16 (0,25 - 0,45)	16 - 22 (0,41 - 0,56)	0,06 (1,52)
3/4 (20)	1	30 - 35 (207 - 241)	80 - 85 (37,8 - 40,1)	4 - 7 (28 - 48)	3 - 5 (21 - 34)	8 - 13 (0,23 - 0,37)	15 - 20 (0,38 - 0,51)	0,07 (1,78)
1 (25)	2	35 - 40 (241 - 276)	140 - 160 (66,1 - 75,5)	4 - 8 (28 - 55)	3 - 6 (21 - 41)	10 - 18 (0,28 - 0,51)	13 - 18 (0,33 - 0,41)	0,09 (2,29)
2 (50)	3	40 - 45 (276 - 310)	210 - 240 (99,1 - 113,3)	5 - 10 (34 - 69)	4 - 8 (28 - 55)	14 - 24 (0,40 - 0,68)	10 - 12 (0,25 - 0,30)	0,11 (2,79)
3 (75)	4	40 - 50 (276 - 344)	280 - 320 (132,1 - 151,0)	5 - 10 (34 - 69)	5 - 11 (34 - 76)	18 - 28 (0,51 - 0,79)	10 - 12 (0,25 - 0,30)	0,12 (3,05)
4 (100)	5	45 - 55 (310 - 379)	390 - 450 (184,0 - 212,3)	6 - 12 (41 - 83)	6 - 13 (41 - 90)	22 - 30 (0,62 - 0,85)	6 - 9 (0,15 - 0,23)	0,15 (3,81)
6 (150)	6**	45 - 55 (310 - 379)	500 - 600 (236,0 - 283,2)	6 - 15 (41 - 103)	8 - 14 (55 - 97)	25 - 35 (0,71 - 0,99)	4 - 7 (0,10 - 0,18)	0,15 (3,81)
10 (250)	7**	45 - 55 (310 - 379)	700 - 850 (330,4 - 401,2)	6 - 20 (41 - 138)	10 - 15 (69 - 103)	25 - 35 (0,71 - 0,99)	3 - 5 (0,08 - 0,13)	0,34 (8,64)
12 (300)	8**	45 - 55 (310 - 379)	900 - 1050 (424,8 - 495,5)	7 - 25 (48 - 172)	10 - 15 (69 - 103)	25 - 35 (0,71 - 0,99)	3 - 4 (0,08 - 0,10)	0,41 (10,41)

\* Aplicable sólo a sopletes de corte de máquina con 3 mangueras. Con un soplete de corte de dos mangueras, se establece la presión de precalentamiento mediante el oxígeno de corte.

\*\* Para obtener mejores resultados use sopletes serie HC1200C y manguera de 3/8" (9,5mm) y utilice una punta (boquilla) de tamaño 6 o de mayor tamaño.

\*\*\* Todas las presiones se miden en el regulador utilizando una manguera de 25' x 1/4" (7,6m x 6,3mm) con punta (boquilla) de tamaño 5 y manguera de 25' x 3/8" (7,6m x 9,5mm para punta (boquilla) de tamaño 6 y de mayor tamaño.

# GUÍA DE CALENTAMIENTO, CORTE Y SOLDADURA

## TIPOS 303MP, GPN, GPP

Espesor del metal pulg. (mm)	Tamaño de la punta	Oxígeno de corte		Precalentamiento oxígeno PSIG (kPa)	Combustible de precalentamiento		Velocidad IPM (MPM)	Entalladura Ancho pulg. (mm)
		Presión*** PSIG (kPa)	Flujo SCFH (LPM)		Presión PSIG (kPa)	Flujo SCFH (LPM)		
1/8 (3)	000	20 - 25 (138 - 172)	12 - 14 (5,7 - 6,6)	Ve a A v i s o a b a j o	3 - 5 (21 - 34)	5 - 6 (2,4 - 2,8)	20 - 30 (0,51 - 0,76)	0,04 (1,02)
1/4 (6)	00	20 - 25 (138 - 172)	22 - 26 (10,4 - 12,3)		3 - 5 (21 - 34)	5 - 7 (2,4 - 3,3)	20 - 28 (0,51 - 0,71)	0,05 (1,27)
3/8 (9)	0	25 - 30 (172 - 207)	45 - 55 (21,2 - 26,0)		3 - 5 (21 - 34)	8 - 10 (3,8 - 4,7)	18 - 26 (0,46 - 0,66)	0,06 (1,52)
1/2 (13)	0	30 - 35 (207 - 241)	50 - 55 (23,6 - 26,0)		3 - 5 (21 - 34)	8 - 10 (3,8 - 4,7)	16 - 22 (0,41 - 0,56)	0,06 (1,52)
3/4 (20)	1	30 - 35 (207 - 241)	70 - 80 (33,0 - 37,8)		4 - 6 (28 - 41)	10 - 12 (4,7 - 5,7)	15 - 20 (0,38 - 0,51)	0,08 (2,03)
1 (25)	2	35 - 40 (241 - 276)	115 - 125 (54,3 - 59,0)		4 - 8 (28 - 55)	12 - 15 (5,7 - 7,1)	13 - 20 (0,33 - 0,51)	0,09 (2,29)
1 1/2 (38)	2	40 - 45 (276 - 310)	125 - 135 (59,0 - 63,7)		4 - 8 (28 - 55)	12 - 15 (5,7 - 7,1)	13 - 18 (0,33 - 0,51)	0,09 (2,29)
2 (50)	3	40 - 45 (276 - 310)	150 - 175 (70,8 - 82,6)		5 - 9 (34 - 62)	14 - 18 (6,6 - 8,5)	11 - 13 (0,28 - 0,33)	0,10 (2,54)
2 1/2 (63)	3	45 - 50 (310 - 344)	175 - 200 (82,6 - 94,4)		5 - 9 (34 - 62)	14 - 18 (6,6 - 8,5)	10 - 12 (0,25 - 0,30)	0,10 (2,54)
3 (75)	4	40 - 50 (276 - 344)	210 - 250 (99,1 - 118,0)		6 - 10 (41 - 69)	16 - 20 (7,6 - 9,4)	8 - 10 (0,20 - 0,25)	0,12 (3,05)
4 (100)	5	45 - 55 (310 - 379)	300 - 360 (141,6 - 169,9)		8 - 12 (55 - 83)	20 - 30 (9,4 - 14,2)	6 - 9 (0,15 - 0,23)	0,14 (3,56)
5 (127)	5	50 - 55 (344 - 379)	330 - 360 (155,7 - 169,9)		8 - 12 (55 - 83)	20 - 30 (9,4 - 14,2)	4 - 7 (0,10 - 0,18)	0,14 (3,56)
6 (150)	6	45 - 55 (310 - 379)	400 - 500 (118,8 - 236,0)		10 - 15 (69 - 103)	25 - 35 (17,8 - 16,5)	3 - 5 (0,08 - 0,13)	0,17 (4,32)
8 (203)	6	55 - 65 (379 - 448)	450 - 500 (212,4 - 236,0)		10 - 15 (69 - 103)	25 - 35 (17,8 - 16,5)	3 - 4 (0,08 - 0,10)	0,18 (4,57)
12 (300)	8**	60 - 70 (414 - 483)	750 - 850 (354,0 - 401,2)		10 - 14 (69 - 97)	25 - 120 (17,8 - 56,6)	3 - 4 (0,08 - 0,10)	0,41 (10,41)

### AVISO

Los datos mencionados anteriormente corresponden a todos los sopletes, con las siguientes excepciones:

Soplete serie	Oxígeno de precalentamiento	Combustible de precalentamiento
Serie MT 200	N/D	8 OZ.(0,24L) - Arriba
Serie MT 300	10 - 50 PSIG (69 - 345 kPa)	8 OZ.(0,24L) - Arriba

\* Aplicable sólo a sopletes de corte de máquina con 3 mangueras. Con un soplete de corte de dos mangueras, se establece la presión de precalentamiento mediante el oxígeno de corte.

\*\* Para obtener mejores resultados use sopletes serie HC1200C, HC1100C y manguera de 3/8" (9,5mm) cuando utilice una punta (boquilla) de tamaño 6 o de mayor tamaño.

\*\*\* Todas las presiones se miden en el regulador utilizando una manguera de 25' x 3/8" (7,6m x 9,5mm) para punta (boquilla) de tamaño 6 y de mayor tamaño.

# PROCEDIMIENTOS DE CUNCIONAMIENTO SEGURO Y DE INSTALACIÓN

## TIPOS MHTN, P

Espesor del metal pulg. (mm)	Tamaño de la punta	Oxígeno de corte		Precalentamiento oxígeno		Combustible de precalentamiento		Velocidad IPM (MPM)	Entalladura Ancho pulg. (mm)
		Presión* PSIG (kPa)	Flujo SCFH (LPM)	Presión PSIG (kPa)	Flujo SCFH (LPM)	Presión PSIG (kPa)	Flujo SCFH (LPM)		
1/4 (6,3)	00	85 - 95 (586 - 655)	68 - 75 (32,1 - 35,4)	Vea Aviso abajo	23 - 140 (10,8 - 66,1)	Vea Aviso abajo	23 - 65 (5,7 - 30,7)	23 - 30 (0,58 - 0,76)	0,05 (1,27)
3/8 (9,5)	00	85 - 95 (586 - 655)	68 - 75 (32,1 - 35,4)		23 - 140 (10,8 - 66,1)		12 - 65 (5,7 - 30,7)	22 - 29 (0,56 - 0,74)	0,05 (1,27)
1/2 (12,7)	0	85 - 95 (586 - 655)	110 - 120 (51,2 - 56,6)		23 - 140 (10,8 - 66,1)		12 - 65 (5,7 - 30,7)	20 - 28 (0,51 - 0,71)	0,06 (1,52)
3/4 (19,0)	0	85 - 95 (586 - 655)	110 - 120 (51,2 - 56,6)		23 - 140 (10,8 - 66,1)		12 - 65 (5,7 - 30,7)	18 - 26 (0,46 - 0,66)	0,06 (1,52)
1 (25,4)	1	85 - 95 (586 - 655)	145 - 160 (68,4 - 75,5)		23 - 140 (10,8 - 66,1)		12 - 65 (5,7 - 30,7)	17 - 24 (0,43 - 0,61)	0,07 (1,78)
1 1/4 (31,7)	1	85 - 95 (586 - 655)	145 - 160 (68,4 - 75,5)		23 - 140 (10,8 - 66,1)		12 - 65 (5,7 - 30,7)	16 - 20 (0,41 - 0,51)	0,07 (1,78)
1 1/2 (38,1)	1	85 - 95 (586 - 655)	145 - 160 (68,4 - 75,5)		23 - 140 (10,8 - 66,1)		12 - 65 (5,7 - 30,7)	12 - 16 (0,30 - 0,41)	0,07 (1,78)
2 (50,8)	2	85 - 95 (586 - 655)	230 - 250 (108,5 - 118,0)		23 - 140 (10,8 - 66,1)		12 - 65 (5,7 - 30,7)	11 - 15 (0,28 - 0,38)	0,09 (2,29)
2 1/2 (63,5)	2	85 - 95 (586 - 655)	230 - 250 (108,5 - 118,0)		23 - 140 (10,8 - 66,1)		12 - 65 (5,7 - 30,7)	10 - 13 (0,25 - 0,33)	0,09 (2,29)
3 (76,2)	2	85 - 95 (586 - 655)	230 - 250 (108,5 - 118,0)		23 - 140 (10,8 - 66,1)		12 - 65 (5,7 - 30,7)	9 - 11 (0,23 - 0,28)	0,09 (2,29)
4 (101,6)	3	85 - 95 (586 - 655)	285 - 320 (134,5 - 151,0)		23 - 140 (10,8 - 66,1)		12 - 65 (5,7 - 30,7)	7 - 10 (0,18 - 0,25)	0,11 (2,79)
5 (127,0)	3	85 - 95 (586 - 655)	285 - 320 (134,5 - 151,0)		23 - 140 (10,8 - 66,1)		12 - 65 (5,7 - 30,7)	6 - 8 (0,15 - 0,20)	0,11 (2,79)
6 (152,4)	3	85 - 95 (586 - 655)	285 - 320 (134,5 - 151,0)		23 - 140 (10,8 - 66,1)		12 - 65 (5,7 - 30,7)	5 - 7 (0,13 - 0,18)	0,11 (2,79)
7 (177,8)	4	85 - 95 (586 - 655)	390 - 450 (184,1 - 212,4)		23 - 140 (10,8 - 66,1)		12 - 65 (5,7 - 30,7)	5 - 6 (0,13 - 0,15)	0,14 (3,56)
8 (203,2)	4	85 - 95 (586 - 655)	390 - 450 (184,1 - 212,4)		23 - 140 (10,8 - 66,1)		12 - 65 (5,7 - 30,7)	4 - 6 (0,10 - 0,15)	0,14 (3,56)
9 (228,6)	5	85 - 95 (586 - 655)	670 - 720 (316,2 - 339,8)		23 - 140 (10,8 - 66,1)		12 - 65 (5,7 - 30,7)	4 - 5 (0,10 - 0,13)	0,18 (4,57)
10 (254,0)	5	85 - 95 (586 - 655)	670 - 720 (316,2 - 339,8)	23 - 140 (10,8 - 66,1)	12 - 65 (5,7 - 30,7)	3 - 5 (0,07 - 0,13)	0,18 (4,57)		

### AVISO

Los datos mencionados anteriormente corresponden a todos los sopletes, con las siguientes excepciones:

Serie de soplete	Oxígeno de precalentamiento	Combustible de precalentamiento
Serie MT 300N	10 - 50 PSIG (69 - 345 kPa)	8 OZ. (0,24L) - Arriba

\* Todos las presiones se miden en la entrada del soplete en las puntas (boquillas) serie MTH.

# GUÍA DE CALENTAMIENTO, CORTE Y SOLDADURA

## TIPOS HPN, P

Espesor del metal pulg. (mm)	Tamaño de la punta	Oxígeno de corte		Precalentamiento oxígeno		Combustible de precalentamiento		Velocidad IPM (MPM)	Entalladura Ancho pulg. (mm)
		Presión* PSIG (kPa)	Flujo SCFH (LPM)	Presión PSIG (kPa)	Flujo SCFH (LPM)	Presión PSIG (kPa)	Flujo SCFH (LPM)		
3/4 (19,1)	1	30 - 35 (207 - 241)	70 - 80 (33,0 - 37,8)	Ve a A v i s o a b a j o	44 - 240 (303 - 1655)	3 - 6 (21 - 41)	22 - 110 (10,4 - 51,9)	15 - 20 (0,38 - 0,52)	0,08 (2,03)
1 (25,4)	2	35 - 40 (241 - 276)	115 - 125 (54,3 - 59,0)		44 - 240 (303 - 1655)	3 - 6 (21 - 41)	22 - 110 (10,4 - 51,9)	14 - 18 (0,36 - 0,46)	0,09 (2,29)
1 1/2 (38,1)	2	40 - 45 (276 - 310)	125 - 135 (59,0 - 63,7)		44 - 240 (303 - 1655)	4 - 8 (28 - 55)	22 - 110 (10,4 - 51,9)	12 - 16 (0,30 - 0,41)	0,09 (2,29)
2 (50,8)	3	40 - 45 (276 - 310)	150 - 175 (70,8 - 82,6)		44 - 240 (303 - 1655)	4 - 8 (28 - 55)	22 - 110 (10,4 - 51,9)	10 - 14 (0,25 - 0,36)	0,10 (2,54)
2 1/2 (63,5)	3	45 - 50 (310 - 345)	175 - 200 (82,6 - 94,4)		44 - 240 (303 - 1655)	5 - 9 (35 - 62)	22 - 110 (10,4 - 51,9)	9 - 12 (0,23 - 0,30)	0,10 (2,54)
3 (76,2)	4	40 - 50 (276 - 345)	210 - 250 (99,1 - 118,0)		44 - 240 (303 - 1655)	6 - 9 (41 - 62)	22 - 110 (10,4 - 51,9)	8 - 11 (0,20 - 0,28)	0,12 (3,05)
4 (101,6)	5	45 - 55 (310 - 379)	300 - 360 (141,6 - 169,9)		44 - 240 (303 - 1655)	6 - 9 (41 - 62)	22 - 110 (10,4 - 51,9)	7 - 10 (0,18 - 0,25)	0,14 (3,56)
5 (127,0)	5	50 - 55 (345 - 379)	330 - 360 (155,7 - 169,9)		44 - 240 (303 - 1655)	6 - 10 (41 - 69)	22 - 110 (10,4 - 51,9)	6 - 9 (0,15 - 0,23)	0,14 (3,56)
6 (152,4)	6**	45 - 55 (310 - 379)	400 - 500 (188,8 - 236,0)		44 - 240 (303 - 1655)	6 - 10 (41 - 69)	22 - 110 (10,4 - 51,9)	5 - 7 (0,13 - 0,18)	0,17 (4,32)
8 (203,2)	6**	55 - 65 (379 - 448)	450 - 500 (212,3 - 236,0)		44 - 240 (303 - 1655)	8 - 12 (55 - 83)	22 - 110 (10,4 - 51,9)	4 - 6 (0,10 - 0,15)	0,18 (4,57)
12 (304,8)	8**	60 - 70 (414 - 483)	750 - 850 (354,0 - 401,2)		50 - 265 (345 - 1827)	10 - 14 (69 - 97)	25 - 120 (11,8 - 56,6)	3 - 4 (0,08 - 0,10)	0,41 (10,41)
15 (381,0)	10**	45 - 55 (310 - 379)	1000 - 1200 (471,9 - 566,3)		50 - 265 (345 - 1827)	10 - 16 (69 - 110)	25 - 120 (11,8 - 56,6)	2 - 4 (0,05 - 0,10)	—
18 (457,2)	12**	45 - 55 (310 - 379)	1150 - 1350 (542,7 - 637,1)		60 - 290 (414 - 1999)	—	30 - 130 (14,2 - 61,3)	2 - 3 (0,05 - 0,08)	—

### AVISO

Los datos mencionados anteriormente corresponden a todos los sopletes, con las siguientes excepciones:

Serie de Soplete	Oxígeno de precalentamiento	Combustible de precalentamiento
Serie MT 200	N/A	8 OZ. (0,24L) - Arriba
Serie MT 300	10 - 50 PSIG (69 - 345 kPa)	8 OZ. (0,24L) - Arriba

\* Aplicable sólo a sopletes de corte de máquina con 3 mangueras. Con un soplete de corte de dos mangueras, se establece la presión de precalentamiento mediante el oxígeno de corte.

\*\* Para obtener mejores resultados use sopletes serie HC1200C, HC1100C y manguera de 3/8" (9,5mm) cuando utilice una punta (boquilla) de tamaño 6 o de mayor tamaño.

\*\*\* Todas las presiones se miden en el regulador utilizando una manguera de 25' x 1/4" (7,6m x 6,3mm) con punta (boquilla) de tamaño 5 y manguera de 25' x 3/8" (7,6m x 9,5mm) para punta (boquilla) de tamaño 6 y de mayor tamaño.



## SECCIÓN 10: GLOSARIO

Esta sección explica el significado de los términos más comúnmente utilizados por soldadores en la industria. Los términos técnicos de ingeniería han sido simplificados.

### A

**ACCIÓN CAPILAR:** Un fenómeno en el que la superficie de un líquido asciende, desciende o se distorsiona su forma donde está en contacto con un sólido. Esto es el resultado de la diferencia entre la atracción relativa de las moléculas del líquido para cada una y para aquéllas de los sólidos.

**ACETILENO:** Gas compuesto por dos partes de carbono y dos partes de hidrógeno. Cuando se quema en la atmósfera de oxígeno, produce una de las temperaturas de llama más elevadas que se pueda conseguir.

**ACUMULACIÓN:** Una variación de nivelación en la que el metal que emerge se deposita para alcanzar las dimensiones requeridas.

**AGRIETAMIENTO:** Acción de abrir una válvula levemente y luego cerrarla inmediatamente.

**ALAMBRE DE RELLENO:** Término no estándar para alambre de soldadura.

**ALAMBRE PARA SOLDADURA:** Alambre de metal que se funde y se agrega a la charca de soldadura para producir el aumento necesario en el grosor del cordón.

**ALEACIÓN:** mezcla metalúrgica de metales: una sustancia que es una mezcla de dos o más metales o de un metal con un material no metálico.

**ANSI:** Abreviatura de; “American National Standards Institute” (Instituto nacional de normas de Estados Unidos).

**AWS:** Abreviatura de; “American Welding Society (Sociedad estadounidense de soldadura).

### B

**BASE DE SOLDADURA:** La unión de la cara de soldadura y el metal básico.

**BISEL:** Una preparación de borde angular.

**BOLSONES DE GAS:** Cavidades del metal de soldadura producidas por el gas atrapado (porosidad).

### C

**CÁMARA DE MEZCLA:** Parte del soplete de soldadura o corte con soplete en el que el gas combustible y el oxígeno se mezclan.

**CAÑA DE SOPLAR:** Otro término utilizado para soplete. (Vea soplete)

**CAPA:** Un grosor determinado del metal de soldadura producido a partir de una o más pasadas.

**CARA DE SOLDADURA:** La superficie expuesta de la soldadura ubicada en el lado desde donde se realizó la soldadura.

**CARBOCEMENTACIÓN:** Adición de carbono a una superficie de un objeto de acero bajo en carbono y tratamiento con calor para producir una superficie dura.

**CARBONO:** Un elemento que cuando se combina con hierro forma diferentes tipos de acero. En el acero, el contenido cambiante del carbono cambia las propiedades físicas del acero. El carbono también se utiliza en forma sólida como un electrodo para soldadura por arco y como molde para retener metal. cavidad que se forma al quedar gas atrapado durante la solidificación.

## **GUÍA DE CALENTAMIENTO, CORTE Y SOLDADURA**

---

**CGA:** Abreviatura para Compressed Gas Association (Asociación de Gases Comprimidos).

**CHARCA:** Un término no estándar para POZO DE SOLDADURA.

**CILINDRO DE GAS:** Un recipiente portátil utilizado para transportar y almacenar gas comprimido.

**CILINDRO DE OXÍGENO:** (Vea cilindro de oxígeno)

**CILINDRO:** (Vea cilindro de gas)

**CONDUCTIVIDAD DE CALOR:** Velocidad y eficiencia del movimiento de energía calórica a través de una sustancia.

**CONJUNTO DE PIEZAS SOLDADAS:** Ensamblaje de partes componentes unidas mediante soldaduras.

**CONO:** La parte cónica de una llama de oxcombustible junto al orificio de la punta (boquilla).

**CORDÓN DE SOLDADURA:** Depósito de soldadura que es el resultado de una pasada.

**CORDÓN:** Un tipo de soldadura compuesta de uno o más cordones en cadena o entrelazados depositados en una superficie ininterrumpida.

**CORONA:** Superficie curva o convexa de una cara de soldadura acabada.

**CORTE CON OXÍGENO:** Proceso de corte de metales ferrosos mediante acción química del oxígeno en elementos en el metal básico a temperaturas elevadas.

**CORTE OXIACETILÉNICO:** Proceso de corte con gas oxcombustible utilizado para quemar metales mediante el oxígeno de reacción con el metal básico como temperatura elevada. La temperatura necesaria se mantiene por medio de llamas de gas que son el resultado de la combustión del acetileno con el oxígeno.

**CORTE POR SOPLETE:** Un término no estándar para Quema con oxígeno.

**CURVA DE ACORDAMIENTO:** Metal de soldadura del vértice interno o esquina del ángulo formado por dos piezas de metal que le otorga a la junta una fuerza adicional para soportar tensión inusual.

### **D**

**DOT:** Abreviatura para Department of Transportation (Departamento de transporte).

### **E**

**EJE DE SOLDADURA:** Línea a lo largo de la soldadura, perpendicular a y en el centro geométrico de su sección cruzada.

**EROSIÓN:** Un estado causado por la disolución del metal básico a su vez causada por metal de aportación fundido, lo que provoca la reducción del grosor del metal básico.

**ESFUERZO:** Reacción de un objeto a la tensión.

**ESTAÑADO:** Término no estándar para Prevestimiento.

### **F**

**FUNDENTE:** Un limpiador utilizado para disolver óxidos, liberar gases atrapados , escoria y para limpiar metales de soldadura, soldadura blanda y soldadura fuerte.

**FUSIÓN:** Una mezcla absoluta y completa entre los dos bordes del metal básico que se unirán o entre el metal básico y el metal de aportación agregado durante la soldadura.

### **H**

**HIDRÓGENO:** Un gas formado a partir del elemento hidrógeno. Se lo considera uno de los gases más activos. Cuando se combina con el oxígeno, forma una llama muy clara.

## I

**INCLUSIÓN DE ESCORIA:** Material no metálico sólido atrapado en el metal de soldadura o entre el metal de soldadura y el metal básico.

## J

**JUNTA A TOPE:** Una junta que consta de dos partes de material que se colocan directamente juntos en lugar de superpuestos o entrelazados.

**JUNTA ANGULAR:** Una junta de dos miembros ubicados aproximadamente en ángulos rectos uno con el otro para formar una "L".

**JUNTA DE BORDES:** Una junta entre los bordes de o más miembros paralelos o casi paralelos.

**JUNTA DE SOLAPE:** Una junta entre dos miembros superpuestos en planos paralelos.

**JUNTA EN T:** Junta que se forma al colocar un metal contra otro en un ángulo de 90°. El borde de un metal está en contacto con la superficie del otro metal.

**JUNTA:** La unión de dos miembros o de los bordes de miembros que se unirán o se han unido.

## L

**LENTE DE FILTRO:** Un vidrio de color empleado en gafas, cascos o escudos para excluir los rayos de luz perjudiciales.

**LENTE:** (Vea lentes de filtro)

**LIGAR:** Unir (metales) mediante la aplicación de calor, algunas veces con presión y otras con un metal intermedio o de aportación que posea un punto de fusión elevado.

**LÍMITE DE ELASTICIDAD:** Tensión en la que un ejemplar asume su conjunto permanente.

**LLAMA CARBÓNICA:** Una llama de oxiacetileno en la que existe un exceso de acetileno. También un término no estándar para Llama desoxidante.

**LLAMA CARBURANTE:** Un término no estándar para Llama desoxidante.

**LLAMA CARBURANTE:** Una llama que posee un efecto reductor debido al gas combustible excesivo.

**LLAMA DE GAS DE PETRÓLEO LICUADO:** Combinación química de oxígeno con el gas de petróleo licuado.

**LLAMA DE OXÍGENO E HIDRÓGENO:** Combinación química de oxígeno con el gas combustible hidrógeno.

**LLAMA NEUTRAL:** Una llama de gas oxicomcombustible en la que la porción utilizada no es oxidante ni reductora.

**LLAMA OXIDANTE:** Una llama de gas oxicomcombustible con un efecto oxidante debido al exceso de oxígeno.

## M

**MANGUERA PARA OXÍGENO:** (Vea manguera)

**MANGUERA:** Medio flexible utilizado para llevar gases desde el regulador hasta el soplete. La misma está construida de capas continuas de goma o neopreno que cubren una sección interna trenzada

**METAL DE SOLDADURA:** Porción fundida de metal básico o porción fundida de metal básico y metal de aportación.

## **GUÍA DE CALENTAMIENTO, CORTE Y SOLDADURA**

---

**METAL QUEMADO:** Término en ocasiones aplicado al metal que ha sido combinado con oxígeno de modo que una parte del carbono se convierta en dióxido de carbono y una parte del hierro se transforme en óxido de hierro.

**MUESCA:** Una ranura ubicada en el metal básico en forma adyacente a la base o raíz de soldadura y que el metal de soldadura deja sin relleno.

### **N**

**NFPA:** Abreviatura de National Fire Protection Association (Asociación nacional de protección contra incendios).

### **O**

**ORIFICIO:** Apertura a través de la cual fluye gas. Generalmente es la apertura final controlada por una válvula.

**OSHA:** Abreviatura de Occupational Safety and Health Administration (Administración de seguridad y salud ocupacional).

**OXIDANTE:** Combinación de oxígeno con cualquier otra sustancia. Por ejemplo, un metal está oxidado cuando el mismo se quema, es decir, el oxígeno se combina con todos los metales o partes de este.

**OXÍGENO:** Un gas formado a partir del elemento oxígeno. Cuando el oxígeno soporta de manera muy activa la combustión se denomina quema, cuando el oxígeno se combina lentamente con una sustancia se denomina oxidación.

### **P**

**PASADA DE SOLDADURA:** Una progresión simple de soldadura o Revestimiento a lo largo de una junta o sustrato. El resultado de una pasada es un cordón de soldadura o capa.

**PASO DE SOLDADURA EN ÁNGULO:** Distancia desde la raíz de soldadura hasta la cara de soldadura.

**PENETRACIÓN DE JUNTA:** La profundidad en que una soldadura se extiende desde la cara hasta la unión, sin incluir refuerzo.

**PENETRACIÓN:** Un término no estándar para Penetración de junta.

**PIEZAS FORJADAS:** Formas metálicas que se originan al martillar o comprimir la pieza original de metal y se logran las formas o grosor deseados.

**PIEZAS FUNDIDAS:** Formas metálicas que se producen al verter metal fundido en un recipiente moldeado (molde).

**POROSIDAD:** Discontinuidades de tipo de la cavidad formó por la colocación de trampas del gas durante la solidificación.

**POSCALENTAMIENTO:** La aplicación de calor a un ensamblaje luego de una soldadura, un corte o calentamiento.

**POSICIÓN HORIZONTAL:** La posición en que se lleva a cabo la soldadura en el lado superior, aproximadamente superficie horizontal y en contra una superficie vertical aproximadamente.

**POSICIÓN INICIAL:** Es la posición en que se realiza la soldadura desde el lado inferior de la junta.

**POSICIÓN PLANA:** La posición de soldadura empleada para soldar desde el lado superior de la junta. La cara de la soldadura es aproximadamente horizontal.

## **PROCEDIMIENTOS DE CUNCIONAMIENTO SEGURO Y DE INSTALACIÓN**

**POSICIÓN VERTICAL:** La posición de soldadura en la que el eje de soldadura es vertical aproximadamente.

**POZO DE SOLDADURA:** Volumen localizado de metal fundido como un soldadura antes de su solidificación como metal de soldadura.

**PRECALENTAMIENTO:** La aplicación de calor al metal básico justo antes de soldar o cortar.

**PROLONGACIÓN:** Aumento del porcentaje en la longitud de un ejemplar cuando se lo somete a su límite de elasticidad.

**PUNTA:** El extremo del soplete donde el gas se quema y crea una llama de temperatura elevada, regula y dirige la llama. **BASE DE SOLDADURA:** (Vea BASE DE SOLDADURA)

### **Q**

**QUEMA:** Un término no estándar para CORTE CON OXÍGENO.

### **R**

**RANÍZ DE SOLDADURA:** Los puntos, como se muestra en la sección cruzada, en donde las parte posterior de la soldadura se cruza con metal básico.

**RANURADO:** Extracción de material. Extracción de bisel o ranura.

**RECOCIDO:** Ablandamiento de metales por medio de tratamientos con calor. Este proceso consiste muy comúnmente en el calentamiento de metales hasta una temperatura crítica y luego su enfriamiento en forma lenta.

**REGULADOR DE ACETILENO:** Un dispositivo utilizado para reducir la presión del cilindro al nivel de la presión del soplete y para mantener una presión constante (vea Figura 2:, página 15). Éstas NUNCA se utilizarán como reguladores de oxígeno.

**REGULADOR DE OXÍGENO:** Un dispositivo utilizado para reducir la presión del cilindro al nivel de la presión del soplete y para mantener la presión constante. Nunca deben utilizarse como reguladores de gas combustible.

**RELAJAMIENTO DE TENSIÓN:** Calentamiento parejo de una estructura por debajo de los niveles de temperatura crítica seguido de un enfriamiento parejo y lento.

**RESISTENCIA A LA TENSIÓN:** Fuerza máxima de empuje que un ejemplar es capaz de tolerar.

**REVESTIMIENTO PREVIO:** Revestimiento del metal básico en la junta antes de una soldadura blanda o soldadura fuerte.

### **S**

**SECUENCIA DE SOLDADURA:** El orden de las soldaduras en un conjunto de piezas soldadas.

**SOLDADURA ANGULAR EXTERNA:** Fusión de dos piezas de metal. La misma se produce la parte inferior de la línea de separación.

**SOLDADURA ANGULAR INTERNA:** Dos metales fusionados, un metal se sostiene 90° con respecto al otro. Esta fusión se realiza dentro del vértice del ángulo.

**SOLDADURA BLANDA:** Un grupo de procesos de soldadura, en la soldadura blanda se utiliza metal para unir dos piezas de metal. Sin embargo, el metal añadido durante el proceso tiene un punto de fusión menor que el de la pieza de trabajo, entonces sólo se funde el metal añadido, no la pieza de trabajo. En la soldadura blanda se utilizan metales con un punto de fusión por debajo de los 800° Fahrenheit. El metal de aportación se distribuye entre las superficies ajustadas estrechamente de la acción capilar de la junta.

## **GUÍA DE CALENTAMIENTO, CORTE Y SOLDADURA**

---

**SOLDADURA CONTINUA:** Una soldadura que se extiende continuamente desde un extremo de la junta hasta el otro. Donde la junta es esencialmente circular, se extiende por completo alrededor de la misma.

**SOLDADURA DE REFUERZO:** Metal de soldadura en una cantidad excesiva con respecto a la requerida para rellenar una junta.

**SOLDADURA DE REVÉS:** Una técnica de soldadura en la que el soplete de soldadura se dirige en la dirección opuesta a la del progreso de la misma.

**SOLDADURA DE TALÓN:** Es una variación de un proceso de soldadura en la que se utiliza un metal de aportación con líquidos por sobre 840°F (450°C) y por debajo de los sólidos del metal básico. A diferencia de la soldadura fuerte, en la soldadura de talón el metal de aportación no se distribuye en la junta por medio de acción capilar.

**SOLDADURA DIRECTA:** Una técnica de soldadura en la que la llama se dirige en la dirección de progreso de la soldadura.

**SOLDADURA EN ÁNGULO CÓNCAVO:** Una soldadura que posee una cara cóncava (puede provocar agrietamiento).

**SOLDADURA EN ÁNGULO CONVEXO:** Una soldadura en ángulo que posee una cara convexa (una buena soldadura sin socavación).

**SOLDADURA EN ÁNGULO:** Una soldadura de aproximadamente una sección triangular cruzada que une dos superficies aproximadamente en ángulos rectos una con otra en una junta de solape, en junta angular.

**SOLDADURA FUERTE:** Un grupo de procesos de soldadura que produce la coalescencia de materiales calentándolos a una temperatura de soldadura fuerte con la presencia de un metal de aportación que posee líquidos por sobre 840°F (450°C) y por debajo de los sólidos del metal básico. El metal de aportación se distribuye entre las superficies ajustadas estrechamente de la junta mediante acción capilar.

**SOLDADURA INTERMITENTE:** Una soldadura cuya continuidad está interrumpida por espacios sin soldar recurrentes.

**SOLDADURA OXIACETILÉNICA:** Proceso de soldadura de gas oxiacombustible que produce metales fusionados al calentarlos con una llama o llamas de gas que se obtienen de la combustión del acetileno con el oxígeno. El proceso puede utilizarse con o sin la aplicación de presión y con o sin el uso de un metal de aportación.

**SOLDADURA POR PUNTOS:** Una soldadura que se realiza para mantener un conjunto de piezas soldadas alineadas correctamente hasta que se realice las soldaduras definitivas.

**SOLDADURA PWG:** Soldadura en un orificio circular en un miembro de una junta en donde se fusiona dicho miembro con otro miembro.

**SOLDAR:** Unir dos piezas o piezas de algún material al calentarlos, martillarlos o utilizando otro tipo de presión.

**SOPLATE DE CORTE:** Un dispositivo utilizado en el corte a llama oxiacetilénica para controlar los gases empleados en el precalentamiento y el oxígeno usado para cortar el material.

**SOPLATE DE SOLDADURA:** Un dispositivo utilizado en el corte con gas para controlar los gases empleados en el precalentamiento y el oxígeno usado para cortar el metal.

**SOPLATE:** (Vea soplete de corte o soplete de soldadura)

**SUPERPOSICIÓN:** La prominencia del metal de soldadura detrás de la base o raíz de soldadura.

## **T**

**TEMPERATURA DE INFLAMACIÓN:** La temperatura a la que una sustancia puede incendiarse y continuar quemándose, también denominada “punto de ignición”

**TENSIÓN:** Carga impuesta a un objeto.

**TOBERA:** Generalmente un ensamblaje que consta de un codo de soldadura, mezclador de gas y una tuerca de unión.

## **V**

**VARILLA DE SOLDADURA:** Metal de aportación con forma de alambre o varilla utilizado en procesos de soldadura con gas, soldadura fuerte y en aquellos procesos de soldadura en arco en los cuales el electrodo no provee el metal de aportación.

## **Z**

**ZONA AFECTADA POR EL CALOR:** Esa porción del metal básico que no ha sido fundida pero que cuyas propiedades mecánicas de microestructura fueron alteradas por el calor de la soldadura, corte o calentamiento.

## ***AVISO***

---

*Es posible encontrar otras definiciones en AWS A3.085 o en una edición más nueva con el título “Standard Welding Terms and Definitions” (Términos y definiciones estándar de soldadura), disponible en AWS, Miami Florida 33135, [www.aws.org](http://www.aws.org).*

## SECCIÓN 11: DECLARACIÓN DE GARANTÍA

---

**GARANTÍA LIMITADA:** THERMADYNE® garantiza que este producto está libre de defectos de fabricación o materiales. Si no se cumple esta garantía de alguna manera en el período aplicable a los productos THERMADYNE según lo descrito a continuación, THERMADYNE corregirá los defectos, mediante reparación o reemplazo, a criterio exclusivo de THERMADYNE, de los componentes o piezas del producto que THERMADYNE determine que son defectuosos, tras previo aviso y comprobación de que el producto se ha almacenado, instalado, operado y mantenido de acuerdo con las especificaciones, instrucciones y recomendaciones de THERMADYNE, así como con métodos industriales estándar reconocidos, y que el producto no ha sido objeto de uso indebido, reparaciones, negligencia, alteraciones, o accidentes.

**ESTA GARANTÍA ES EXCLUSIVA Y REEMPLAZA A TODAS LAS DEMÁS GARANTÍAS EXPRESAS E IMPLÍCITAS, INCLUIDA TODA GARANTÍA DE COMERCIALIZACIÓN O IDONEIDAD PARA UN FIN ESPECÍFICO.**

**RESTRICCIÓN DE RESPONSABILIDAD LEGAL:** Bajo ninguna circunstancia THERMADYNE acepta responsabilidad por daños especiales o secundarios, incluidos y sin limitaciones los daños por pérdida de mercancías compradas o reemplazadas, o reclamaciones de los clientes del distribuidor (en adelante el “Comprador”) por interrupciones del servicio. Las soluciones ofrecidas al Comprador descritas en el presente documento son de carácter exclusivo y la responsabilidad de THERMADYNE respecto a cualquier contrato, o a cualquier acción emprendida en relación con el mismo, por ejemplo la ejecución o infracción del mismo, o respecto a la fabricación, venta, entrega, reventa, o uso de toda mercancía cubierta por, o suministrada por THERMADYNE, así surja por contrato, negligencia, estrictamente por trabajo, o bajo cualquier garantía, o por alguna otra razón, no deberá, excepto según lo dispuesto expresamente en este documento, superar el precio de las mercancías en las que se basa la responsabilidad legal.

**ESTA GARANTÍA PIERDE VALIDEZ SI SE UTILIZAN PIEZAS O ACCESORIOS DE REEMPLAZO QUE PUEDAN PERJUDICAR LA SEGURIDAD O EL FUNCIONAMIENTO DE CUALQUIER PRODUCTO DE THERMADYNE.**

**ESTA GARANTÍA PIERDE VALIDEZ SI EL PRODUCTO ES VENDIDO POR PERSONAS SIN AUTORIZACIÓN.**

Esta garantía es válida durante el tiempo establecido en el Programa de Garantía a partir de la fecha en que el distribuidor autorizado entrega los productos al Comprador.

Las reclamaciones de reparaciones o reemplazo bajo los términos de esta garantía limitada deben ser presentadas por una instalación de reparación autorizada de THERMADYNE en un plazo de treinta (30) días a partir de la reparación. No se pagará por costos de transporte de ninguna clase bajo esta garantía. Los cargos de transporte para el envío de productos a una instalación autorizada de reparaciones bajo garantía corren por cuenta del Comprador. El Comprador asume todos los riesgos y costos relacionados con la mercancía devuelta. Esta garantía reemplaza a todas las garantías anteriores de THERMADYNE.





## **U.S. Customer Care:**

**ARCAIR® / STOODY® / THERMAL ARC® / THERMAL DYNAMICS® /**

**TWECO® / VICTOR® ..... 800-426-1888 / FAX 800-535-0557**

**FIREPOWER® ..... 800-858-4232 / FAX 800-535-0557**

**TURBOTORCH® ..... 800-238-0282 / FAX 800-535-0557**

**TDC AUTOMATION ..... 866-279-2628 / FAX 800-535-0557**

**VICTOR MEDICAL ..... 800-382-8187 / FAX 800-535-0557**

**VICTOR SPECIALTY PRODUCTS ..... 800-569-0547 / FAX 800-535-0557**

**Canada Customer Care: 905-827-4515 / FAX 800-588-1714**

**International Customer Care: 940-381-1212 / FAX 940-483-8178**

**CIGWELD Customer Care: 1300-654-674 / FAX 613+ 9474-7391**

**[www.thermadyne.com](http://www.thermadyne.com)**



**THERMADYNE® A Global Cutting & Welding Market Leader™**

### **WORLD HEADQUARTERS:**

16052 Swingley Ridge Road, Suite 300 • St. Louis, Missouri 63017 U.S.A.

#### **THE AMERICAS**

##### **Denton, TX USA**

##### **U.S. Customer Care**

Ph: (1) 800-426-1888

Fax: (1) 800-535-0557

##### **Miami, FL USA**

##### **Sales Office, Latin America**

Ph: (1) 954-727-8371

Fax: (1) 954-727-8376

##### **Oakville, Ontario, Canada**

##### **Canada Customer Care**

Ph: (1) 905-827-4515

Fax: (1) 800-588-1714

##### **International Customer Care**

Ph: (1) 905-827-9777

Fax: (1) 905-827-9797

#### **EUROPE**

##### **Chorley, United Kingdom**

##### **Customer Care**

Ph: (44) 1257-261755

Fax: (44) 1257-224800

##### **Milan, Italy**

##### **Customer Care**

Ph: (39) 0236546801

Fax: (39) 0236546840

#### **ASIA/PACIFIC**

##### **Cikarang, Indonesia**

##### **Customer Care**

Ph: 62 21+ 8983-0011 / 0012

Fax: 62 21+ 893-6067

##### **Osaka, Japan**

##### **Sales Office**

Ph: 816-4809-8411

Fax: 816-4809-8412

##### **Melbourne, Australia**

##### **Australia Customer Care**

Ph: 1300-654-674

Fax: 613+ 9474-7391

##### **International**

Ph: 613+ 9474-7508

Fax: 613+ 9474-7488

##### **Rawang, Malaysia**

##### **Customer Care**

Ph: 603+ 6092-2988

Fax: 603+ 6092-1085

##### **Shanghai, China**

##### **Sales Office**

Ph: 86 21+ 6280-1273

Fax: 86 21+ 3226-0955

##### **Singapore**

##### **Sales Office**

Ph: 65+ 6832-8066

Fax: 65+ 6763-5812



# VICTOR®

## **U.S. Customer Care:**

**VICTOR®** ..... **800-426-1888 / FAX 800-535-0557**

**VICTOR MEDICAL** ..... **800-382-8187 / FAX 800-535-0557**

**VICTOR SPECIALTY PRODUCTS** ..... **800-569-0547 / FAX 800-535-0557**

**Canada Customer Care: 905-827-4515 / FAX 800-588-1714**

**International Customer Care: 940-381-1212 / FAX 940-483-8178**

**[www.thermadyne.com](http://www.thermadyne.com)**



**THERMADYNE® A Global Cutting & Welding Market Leader™**

## **WORLD HEADQUARTERS:**

16052 Swingley Ridge Road, Suite 300 • St. Louis, Missouri 63017 U.S.A.

### **THE AMERICAS**

**Denton, TX USA  
U.S. Customer Care**  
Ph: (1) 800-426-1888  
Fax: (1) 800-535-0557

**International Customer Care**  
Ph: (1) 940-381-1212  
Fax: (1) 940-483-8178

**Miami, FL USA  
Sales Office, Latin America**  
Ph: (1) 954-727-8371  
Fax: (1) 954-727-8376

**Oakville, Ontario, Canada  
Canada Customer Care**  
Ph: (1) 905-827-4515  
Fax: (1) 800-588-1714

### **EUROPE**

**Chorley, United Kingdom  
Customer Care**  
Ph: (44) 1257-261755  
Fax: (44) 1257-224800

**Milan, Italy  
Customer Care**  
Ph: (39) 0236546801  
Fax: (39) 0236546840

### **ASIA/PACIFIC**

**Cikarang, Indonesia  
Customer Care**  
Ph: 62 21+ 8990-6095  
Fax: 62 21+ 8990-6096

**Rawang, Malaysia  
Customer Care**  
Ph: 603+ 6092-2988  
Fax: 603+ 6092-1085

**Melbourne, Australia  
Australia Customer Care**  
Ph: 613+ 9474-7400  
Fax: 613+ 9474-7391

**International**  
Ph: 613+ 9474-7508  
Fax: 613+ 9474-7488

**Shanghai, China  
Sales Office**  
Ph: 86 21+ 6407-2626  
Fax: 86 21+ 6448-3032

**Singapore  
Sales Office**  
Ph: 65+ 6832-8066  
Fax: 65+ 6763-5812